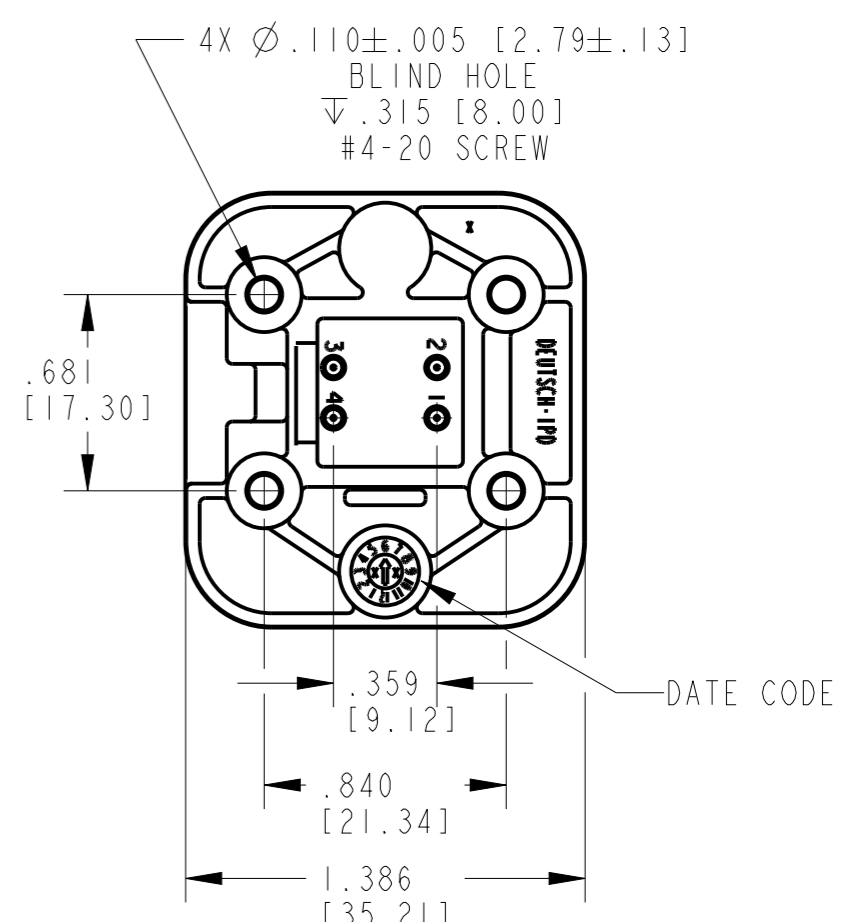
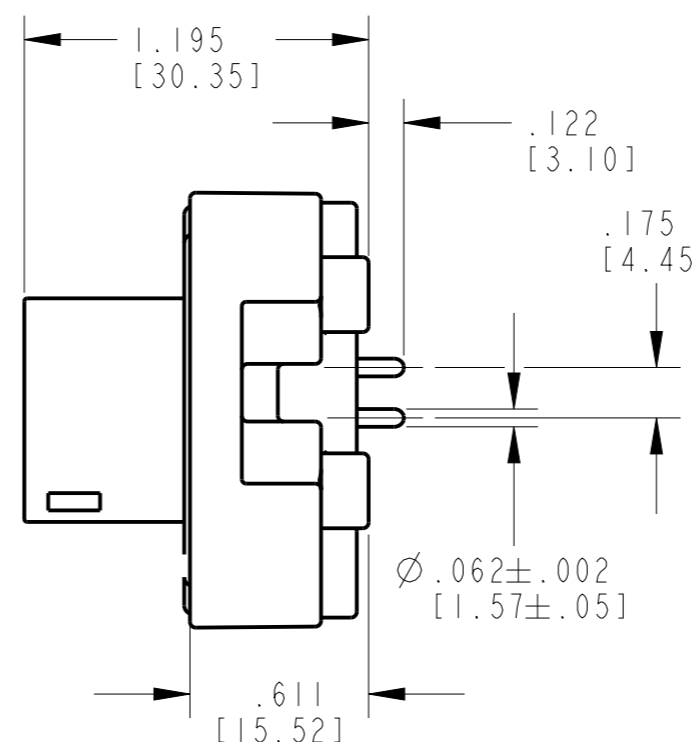
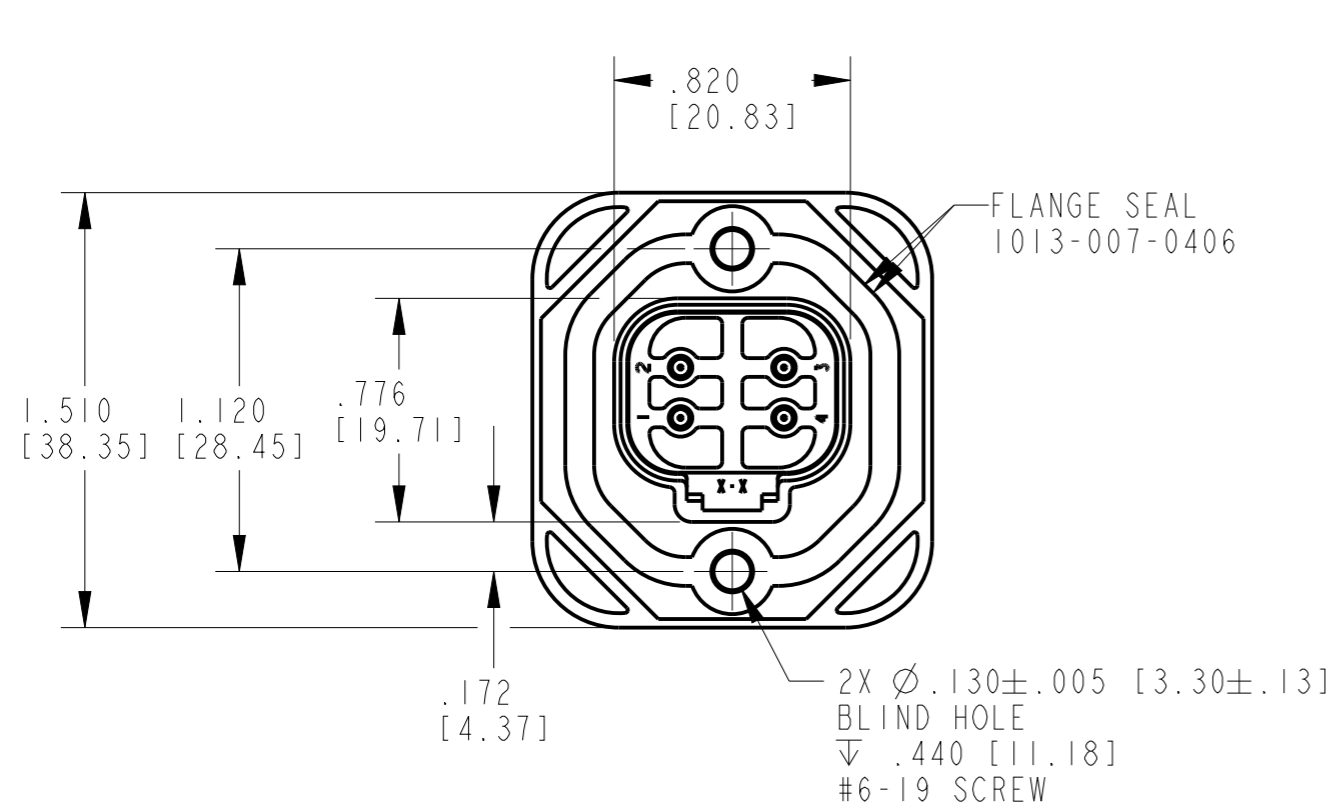


THIS DRAWING IS UNPUBLISHED  
 (C) COPYRIGHT 2013 BY TE CONNECTIVITY ALL RIGHTS RESERVED.

LOC	DIST	REVISIONS			
P	LTR	DESCRIPTION	DATE	DWN	APVD
	NC	NEW RELEASED PER E.O. PI7348	9-24-01		AM
	A	REVISED PER E.O. PI9407	11-20-06		RDR
	A1	REVISED PER ECO-14-010107	03JUL2014	JA	DM



- 6. MOUNTING SCREW TORQUE VALUES ARE AS FOLLOWS:  
 #6-19 SCREWS: 13±2.0 IN-LB [1.47±.23 N-M].  
 #4-20 SCREWS: 8±2.0 IN-LB [1.90±.23 N-M].  
 VALUES VALID FOR PLASTITE 48 SCREWS ONLY.
- 5. RECOMMENDED MOUNTING SCREWS (NOT INCLUDED): CAMCAR PLASTITE 48, SINGLE HELIX.
- 4. THIS RECEPTACLE MATES WITH DT06-4S-XXXX PLUG (XXXX = ALL MODIFICATIONS.)
- 3. CONTACT PLATING (G003) - MATING SIDE: GOLD; PCB SIDE: TIN.

2 MATERIALS:  
 SHELL: PA GF30 (GRAY)  
 SEAL: SILICONE (ORANGE-RED)  
 PIN CONTACTS: COPPER ALLOY

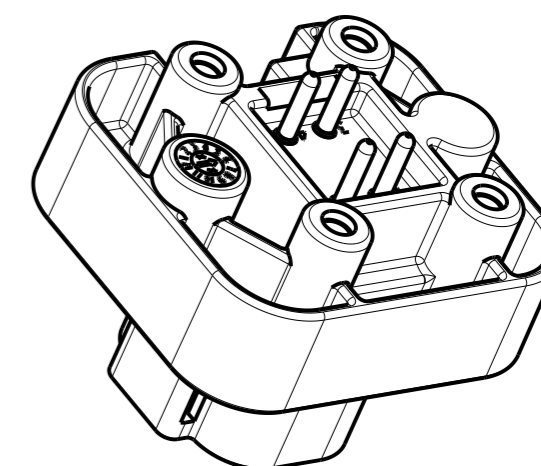
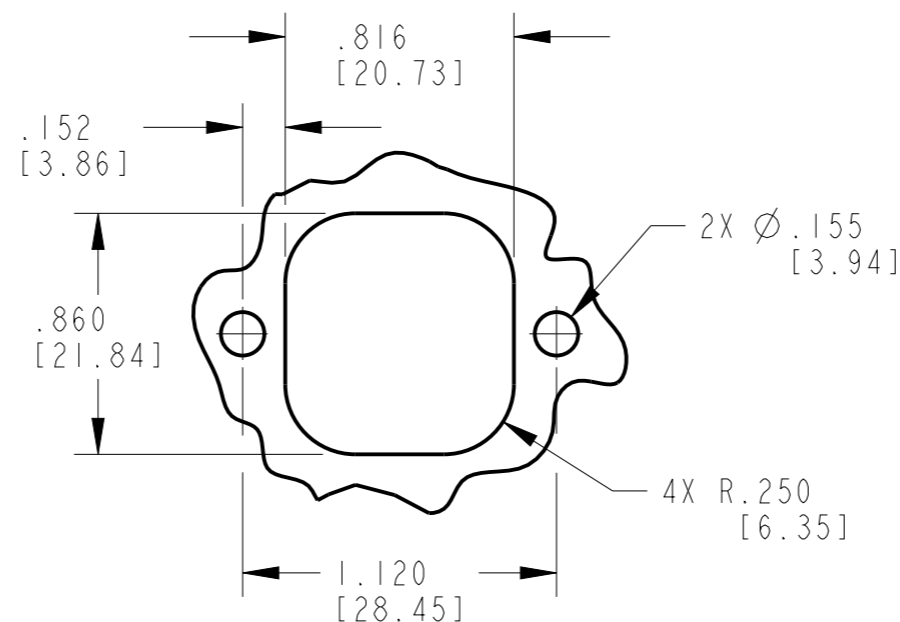
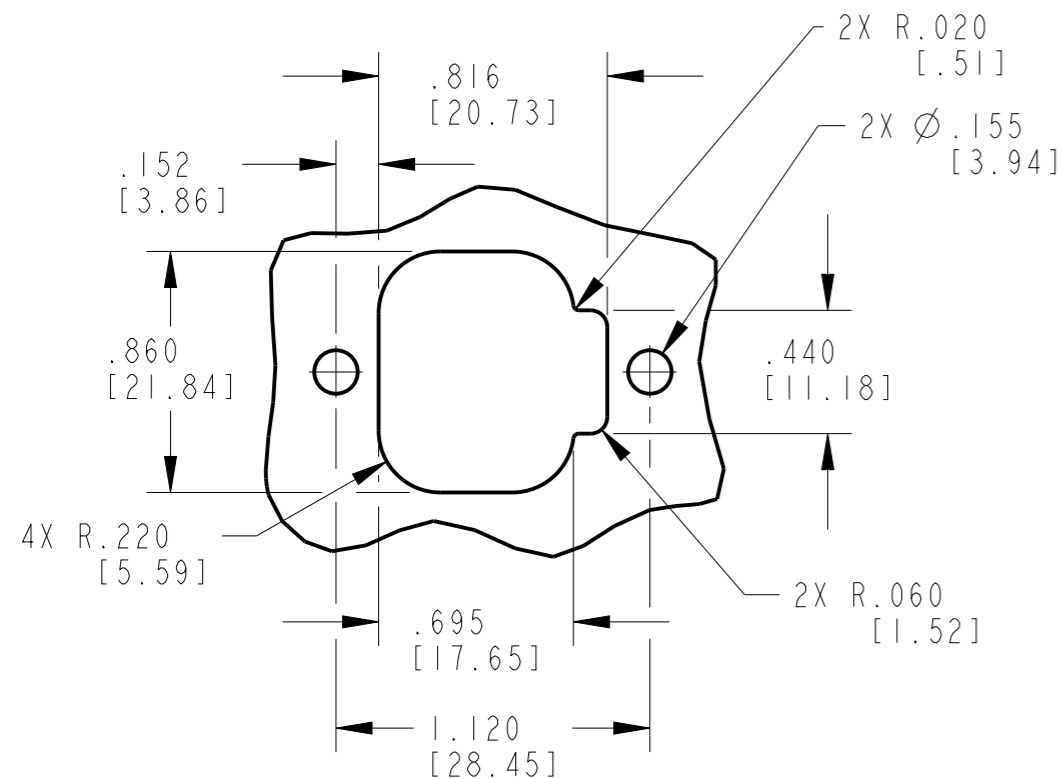
1 DIMENSION TOLERANCE: ±.025 [.64]  
 PANEL CUTOUT: ±.010 [.25]  
 PIN LOCATIONS: ±.005 [.13]  
 MOUNTING HOLE LOCATIONS: ±.010 [.13]

NOTES:

THIS DRAWING IS A CONTROLLED DOCUMENT.		DWN P. BURKE 21SEP2001		
DIMENSIONS: INCHES [mm]		CHK KEVIN MCKEE 03JUL2014		
TOLERANCES UNLESS OTHERWISE SPECIFIED:		APVD DAVID MEYER 03JUL2014	NAME RECEPTACLE HEADER 4 PIN 180 DEG DT SERIES	
0 PLC ± 1 PLC ± 2 PLC ± 3 PLC ± 4 PLC ± ANGLES ±0°30'0"		PRODUCT SPEC	RESTRICTED TO	
MATERIAL		APPLICATION SPEC	SIZE A3	CAGE CODE 4AFU8
FINISH		WEIGHT 19g±10%	DRAWING NO DT15-4P-G003	
2		CUSTOMER DRAWING	SCALE 3:2	SHEET 1 OF 2
			REV A1	

THIS DRAWING IS UNPUBLISHED  
 RELEASED FOR PUBLICATION 2014  
 © COPYRIGHT 2013 BY TE CONNECTIVITY ALL RIGHTS RESERVED.

LOC	DIST	REVISIONS			
P	LTR	DESCRIPTION	DATE	DWN	APVD
	A1	SEE SHEET 1	03JUL2014	JA	DM



**RECOMMENDED PANEL CUTOUTS**

THIS DRAWING IS A CONTROLLED DOCUMENT.		DWN P. BURKE 21SEP2001		
DIMENSIONS: INCHES [mm]		CHK KEVIN MCKEE 03JUL2014		
		APVD DAVID MEYER 03JUL2014	NAME RECEPTACLE HEADER 4 PIN 180 DEG DT SERIES	
TOLERANCES UNLESS OTHERWISE SPECIFIED:		PRODUCT SPEC	RESTRICTED TO	
0 PLC ± 1 PLC ± 2 PLC ± 3 PLC ± 4 PLC ± ANGLES ±0°30'0"		APPLICATION SPEC	SIZE A3	CAGE CODE 4AFU8
MATERIAL 2		FINISH	DRAWING NO DT15-4P-G003	SCALE 3:2
		WEIGHT 19g±10%	SHEET 2 OF 2	
		CUSTOMER DRAWING	REV A1	