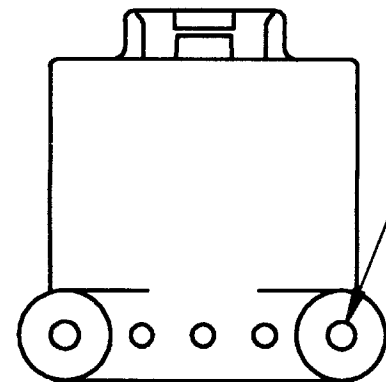
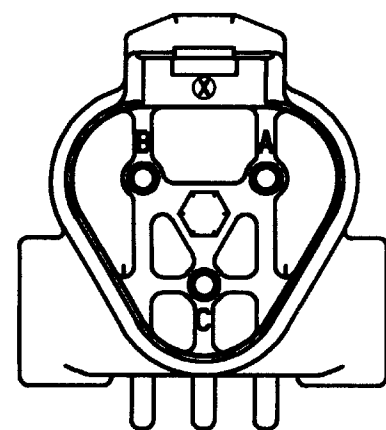
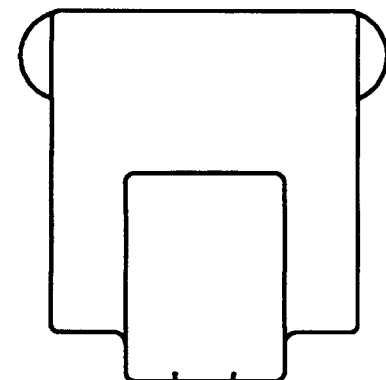


**3-DIMENSIONAL  
VIEW**

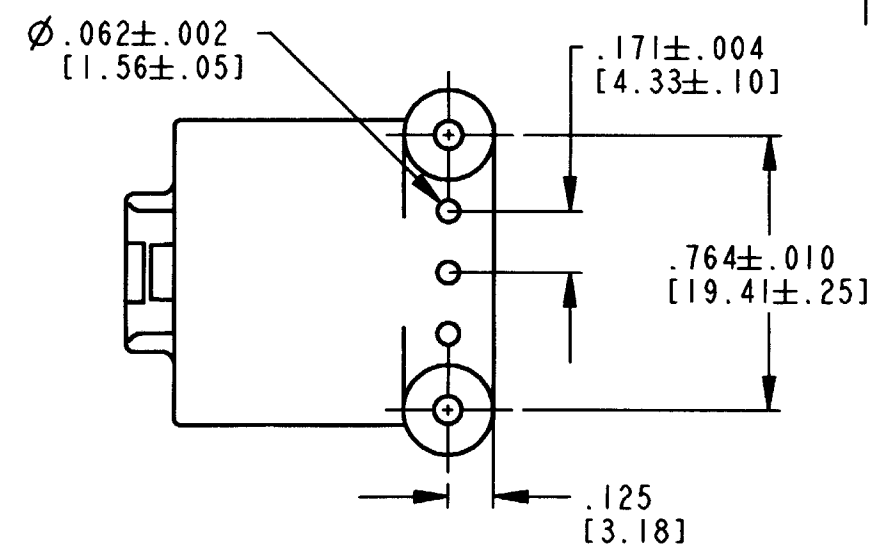
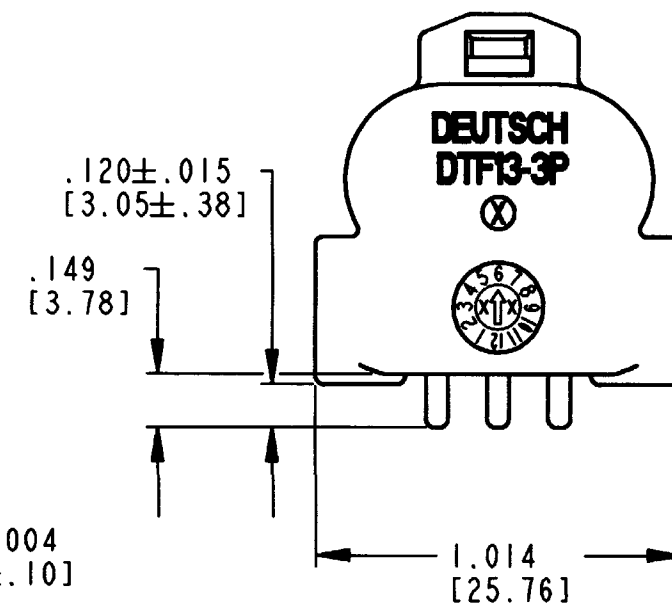
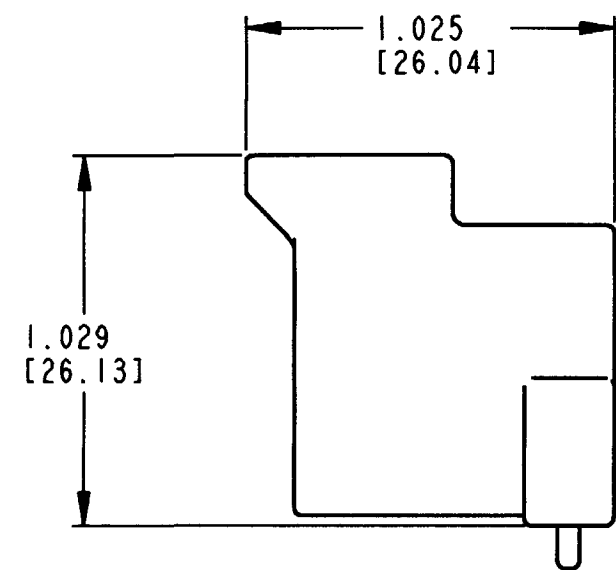


$\phi .077 \pm .003$   
[1.96 ± .07]  
.350 [8.89] DEEP

REV  
NC **DTF13-3P**

**REVISIONS**

SYM	DESCRIPTION	DATE	APPROVED
NC	NEW RELEASE PER E.O. PI6796	9/15/00	<i>[Signature]</i>



5. MATERIAL: HOUSING - HIGH TEMPERATURE NYLON  
PINS - TIN PLATED
4. THIS RECEPTACLE MATES WITH DT06-3S-\*\*\*\* (\*\*\*\* = ALL MODIFICATIONS)  
AND USES WEDGE PART NO. W3S, W3S-P012. CONSULT FACTORY FOR MODIFICATIONS.
3.  $\phi .077$  [ $\phi 1.96$ ] REF HOLE ARE FOR SIZE 2 SCREWS.
2. DIMENSIONS ARE  $\pm .025$  [0.63] UNLESS OTHERWISE SPECIFIED.
1. DIMENSIONS ARE IN INCHES [MILLIMETERS].

NOTES:

SIGNATURE & DATE	
DR	S. THEIS 8/8/00
CHK	<i>[Signature]</i>
PE	<i>[Signature]</i> 9-14-00
APPD	<i>[Signature]</i> 9/15/00
SCALE	NONE
WT	WT

3 WAY RECEPTACLE  
W/ 16 SIZE CONTACTS  
FLANGELESS  
COLOR: BLACK  
DTF SERIES

ENVELOPE

CP	MATL. CODE
<b>The Deutsch Company</b> DEUTSCH I. P. D. 3850 INDUSTRIAL AVE. HEMET, CALIF. 92545	
<b>B</b>	<b>DTF13-3P</b>
DWG. SIZE	CODE 11139 SHEET 1 OF 1