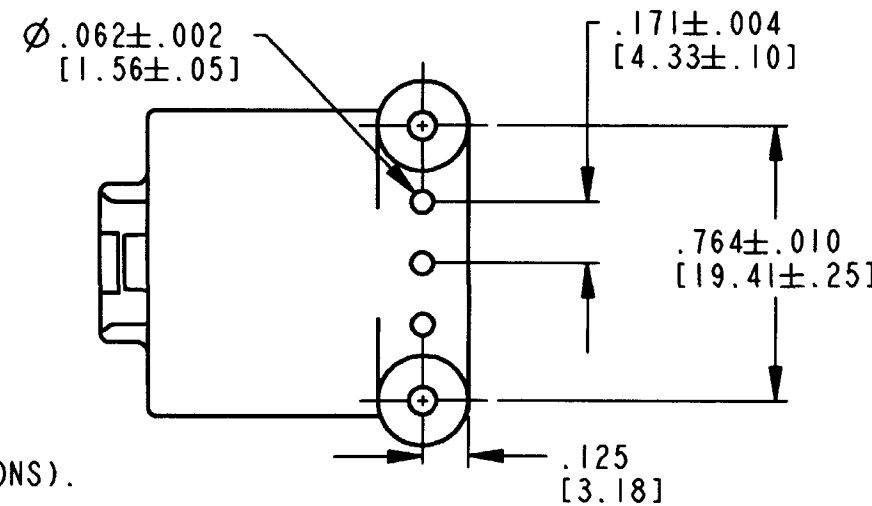
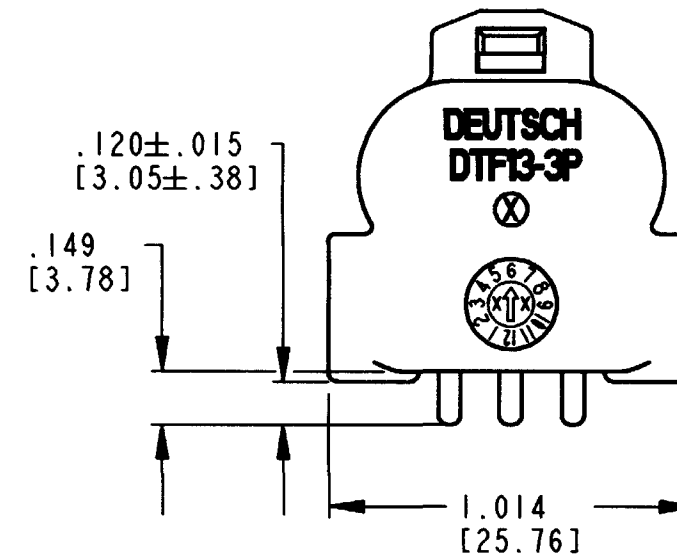
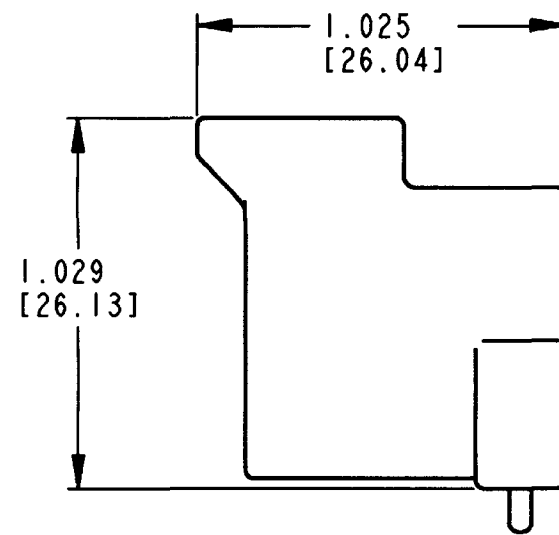
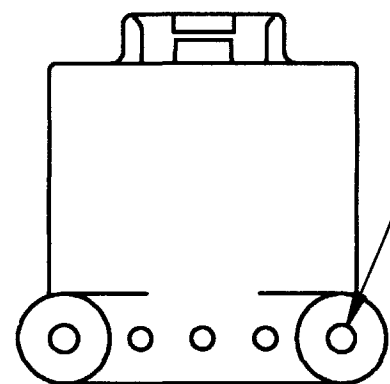
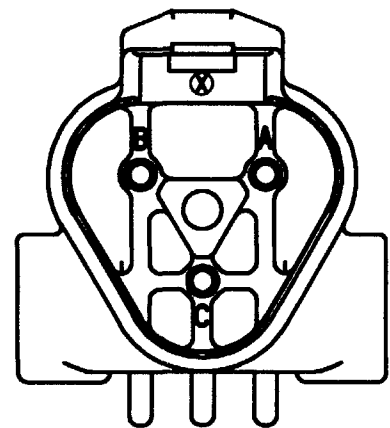
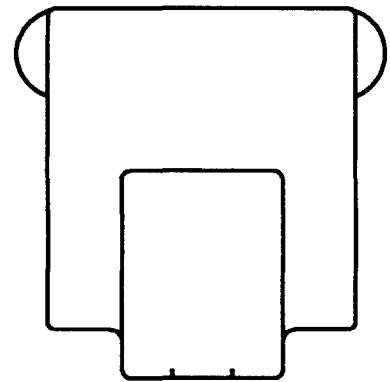


**3-DIMENSIONAL
VIEW**



Ø.077±.003
[1.96±.07]
.350 [8.89] DEEP

REV
NC DTF13-3P-1939

REVISIONS			
SYM	DESCRIPTION	DATE	APPROVED
NC	NEW RELEASE PER E.O. PI6796	7/14/00	<i>[Signature]</i>

5. MATERIALS: HOUSING - HIGH TEMPERATURE NYLON
PINS - TIN PLATED
4. THIS RECEPTACLE MATES WITH DT06-3S-**** (**** = ALL MODIFICATIONS).
NOTE: CONNECTOR IS KEYPED FOR SAE J1939 APPLICATIONS.
CONSULT FACTORY FOR MODIFICATIONS UTILIZING J1939 KEYING FORMAT
AND USE PLUG WEDGE PART NUMBER W3S-1939 OR W3S-P012-1939
3. Ø.077 [Ø1.96] REF HOLE ARE FOR SIZE 2 SCREWS.
2. DIMENSIONS ARE ±.025[0.63] UNLESS OTHERWISE SPECIFIED.

NOTES: 1. DIMENSIONS ARE IN INCHES [MILLIMETERS].

SIGNATURE & DATE	
DR	S. THEIS 8/8/00
CHK	<i>[Signature]</i>
PE	<i>[Signature]</i> 9/14/00
APPD	<i>[Signature]</i>
SCALE	NONE WT

3 WAY RECEPTACLE
W/ 16 SIZE CONTACTS
FLANGELESS
COLOR: BLACK
DTF SERIES

ENVELOPE

CP	MATL. CODE
The Deutsch Company DEUTSCH I.P.O. 3850 INDUSTRIAL AVE. HEMET, CALIF. 92545	
B	DTF13-3P-1939
DWG SIZE	CODE SHEET OF
11139	1 OF 1