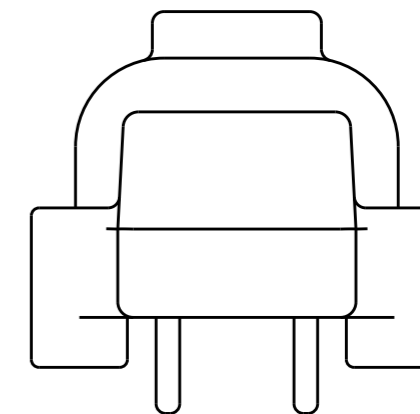
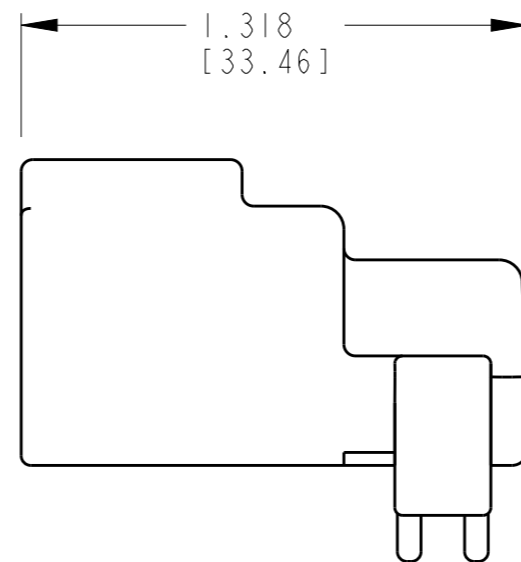
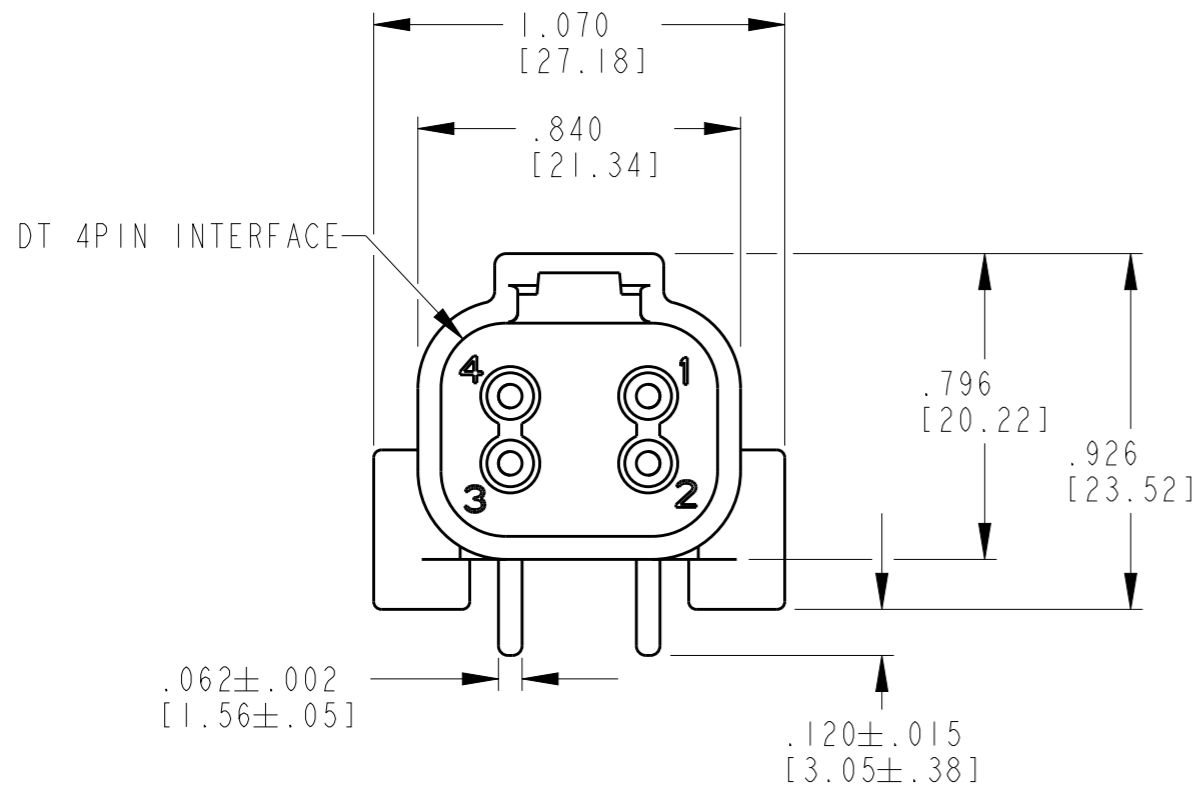
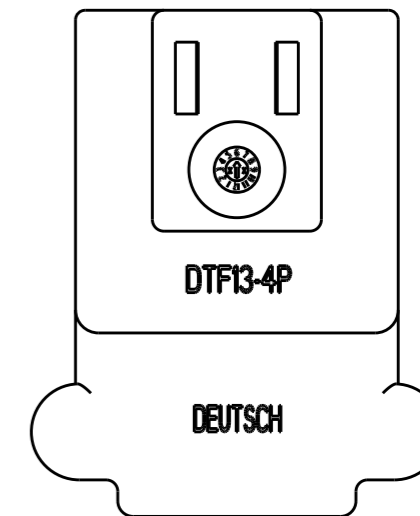
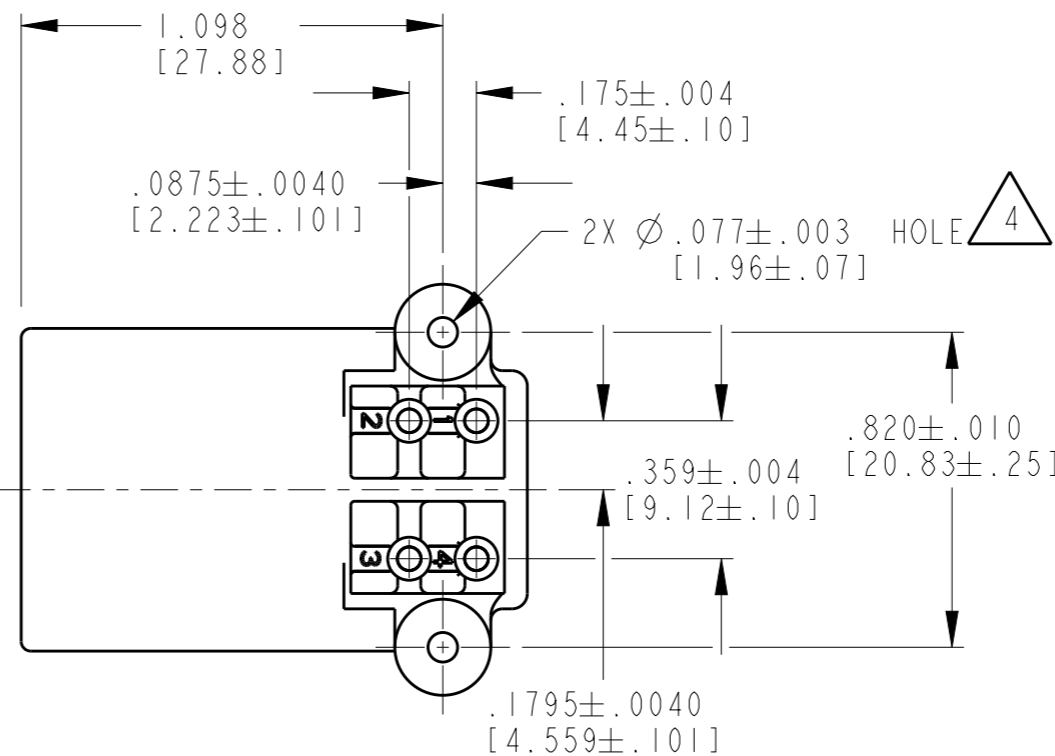
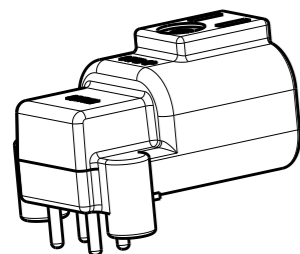


REVISIONS

P	LTR	DESCRIPTION	DATE	DWN	APVD
	A	REVISED PER ECO-16-014754	02AUG2016	VNB	DM
	AI	REVISED PER PCN E-20-005040	27MAR2020	DB	IG



3D VIEW



4 RECOMMENDED SCREW: 2-28 [M2.26X0.91]. PLASTITE 48, SINGLE HELIX. RECOMMENDED TORQUE: 0.75-1.5 IN-LB [0.08-0.16 N-m].

3. THE RECEPTACLE MATES WITH DT06-4S-XXXX PLUG AND WAS WEDGE LOCK (XXXX = ALL MODIFICATIONS).

2 PIN PLATING: TIN OVER NICKLE OVER COPPER UNDERPLATE (Sn/Ni/Cu) (RoHS COMPLIANT)

1 MATERIAL: RECEPTACLE - PA46 GF30 (BLACK)
PINS - COPPER ALLOY.

NOTES: UNLESS OTHERWISE SPECIFIED

TE INTERNAL PN	DEUTSCH PN
DTF13-4P	DTF13-4P

THIS DRAWING IS A CONTROLLED DOCUMENT.		DWN M. GONZALEZ 08AUG2000		
DIMENSIONS: INCH [mm]		CHK C. WOODRUFF 12SEP2000		
TOLERANCES UNLESS OTHERWISE SPECIFIED:		APVD C. WOODRUFF 12SEP2000	NAME 90 DEGREE RECEPTACLE FLANGELESS CONNECTOR 4 PIN 16 SIZE CONTACTS, KEY NONE	
0 PLC ±-		PRODUCT SPEC -	SIZE A3	
1 PLC ±-		APPLICATION SPEC -	CAGE CODE 4AFU8	DRAWING NO. DTF13-4P
2 PLC ±-		WEIGHT 10.2g	RESTRICTED TO -	
3 PLC ±.025 [0.63]		CUSTOMER DRAWING	SCALE 2:1	SHEET 1 OF 1
4 PLC ±-			REV AI	
ANGLES ±° 30' 0"				
FINISH				