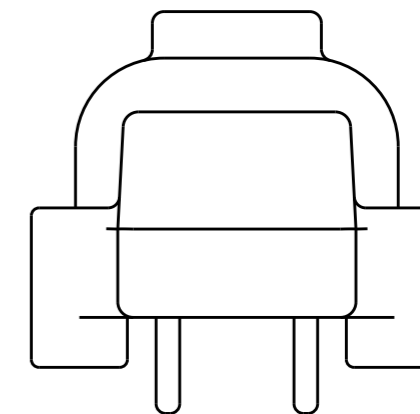
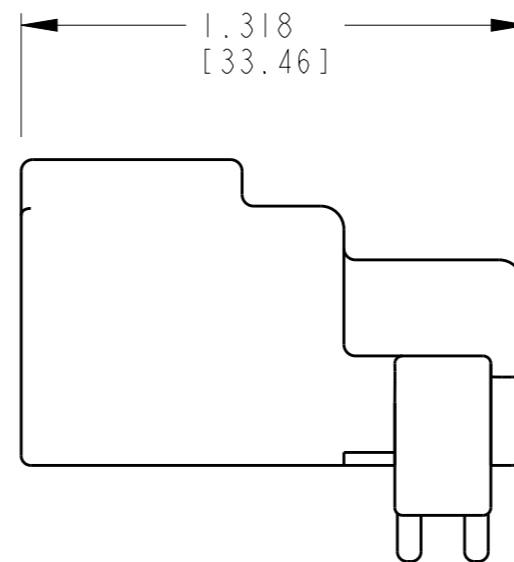
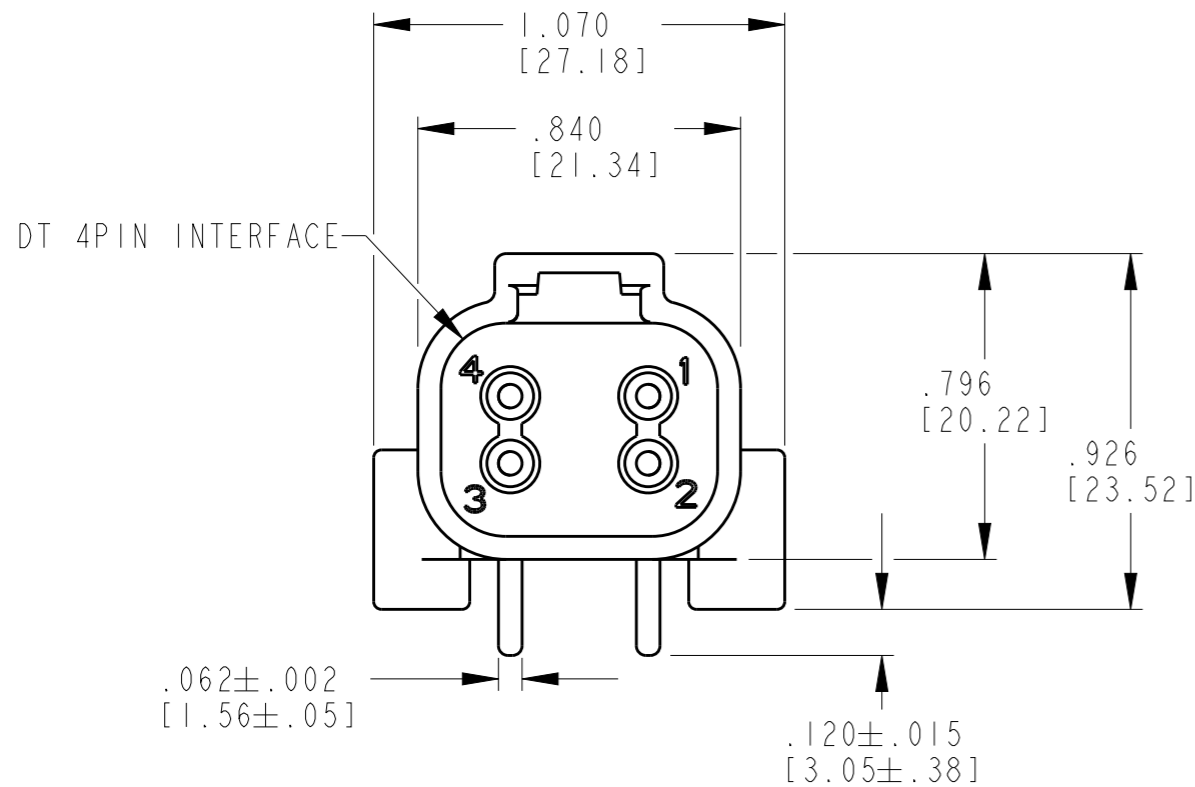
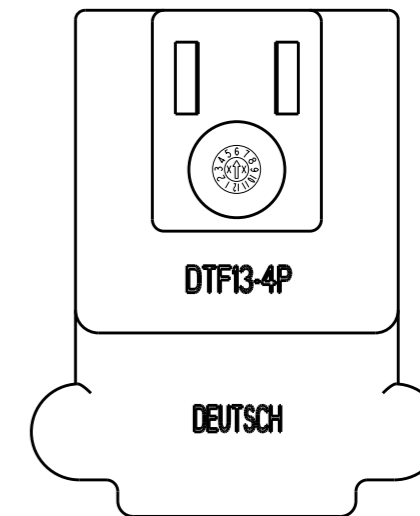
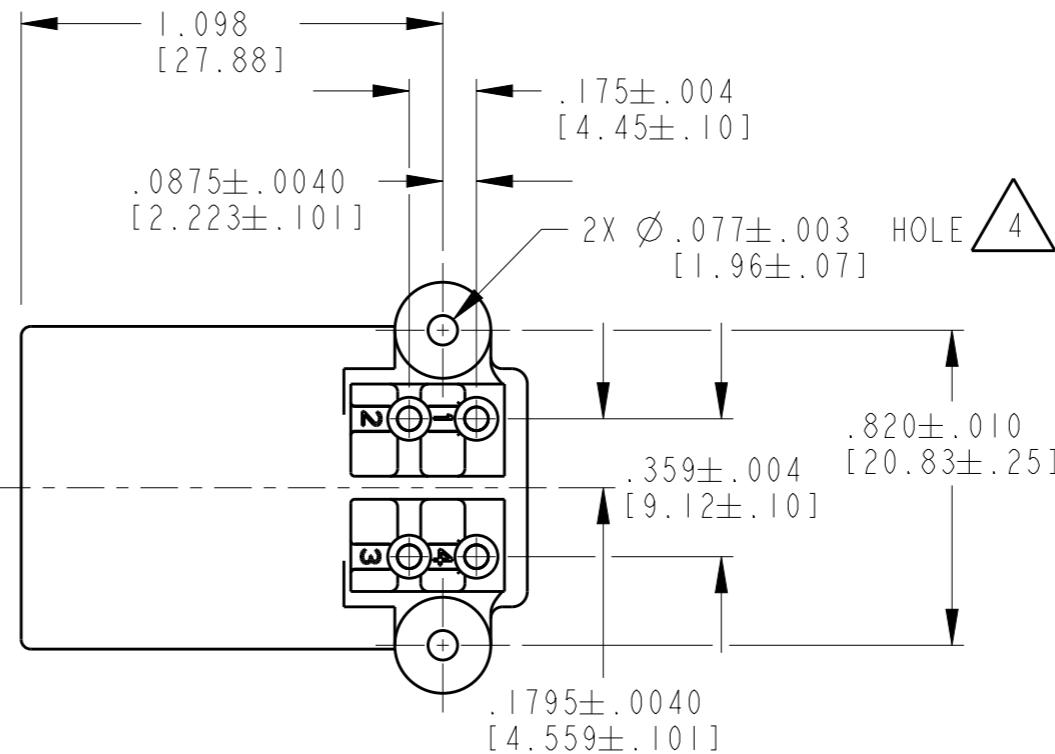
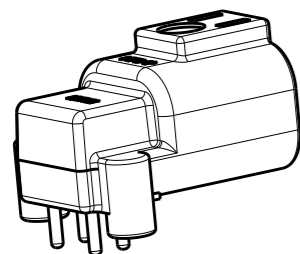


REVISIONS

P	LTR	DESCRIPTION	DATE	DWN	APVD
	A	REVISED PER ECO-16-014754	02AUG2016	VNB	DM



3D VIEW



4 RECOMMENDED SCREW: 2-28 [M2.26X0.91].  
PLASTITE 48, SINGLE HELIX.

3. THE RECEPTACLE MATES WITH DT06-4S-XXXX PLUG  
AND W4S WEDGE LOCK (XXXX = ALL MODIFICATIONS).

2 PIN PLATING: MATING SIDE: GOLD (RoHS)  
PCB SIDE: GOLD (RoHS)

1 MATERIAL: RECEPTACLE - PA46 GF30 (BLACK)  
PINS - COPPER ALLOY.

NOTES: UNLESS OTHERWISE SPECIFIED

TE INTERNAL PN	DEUTSCH PN
DTF13-4P-G003	DTF13-4P-G003

THIS DRAWING IS A CONTROLLED DOCUMENT.		DWN P. BURKE 09SEP2002		
DIMENSIONS: INCH [mm]		CHK T. YOHANNES 16SEP2002		
TOLERANCES UNLESS OTHERWISE SPECIFIED:		APVD S. BEARD 16SEP2002	NAME 90 DEGREE RECEPTACLE FLANGELESS CONNECTOR 4 PIN 16 SIZE CONTACTS G003 MOD	
0 PLC ±-		PRODUCT SPEC -	SIZE A3	
1 PLC ±-		APPLICATION SPEC -	CAGE CODE 4AFU8	DRAWING NO. DTF13-4P-G003
2 PLC ±-		WEIGHT 10.2g	RESTRICTED TO -	
3 PLC ±.025 [0.63]		CUSTOMER DRAWING	SCALE 2:1	SHEET 1 OF 1
4 PLC ±-			REV A	
ANGLES ±0° 30' 0"				
MATERIAL 1	FINISH 2			