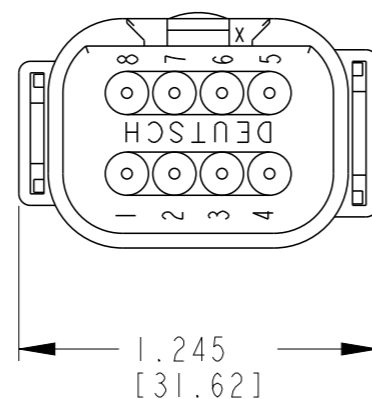
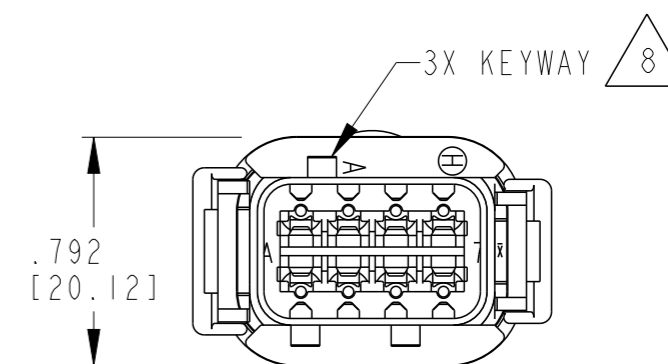
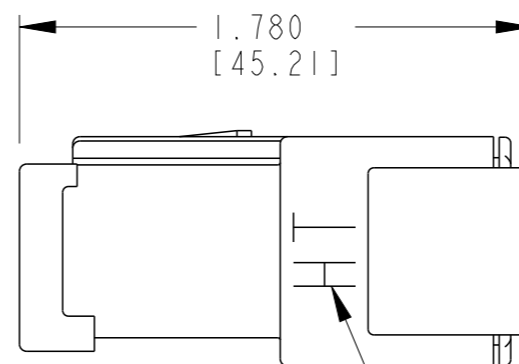
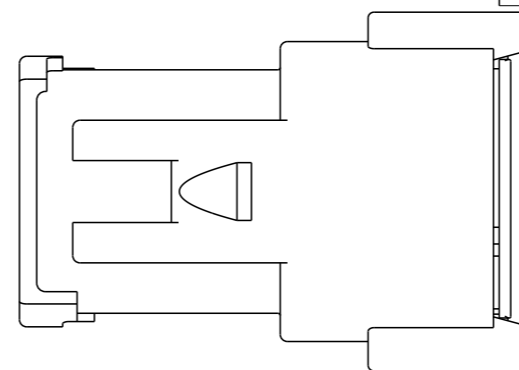
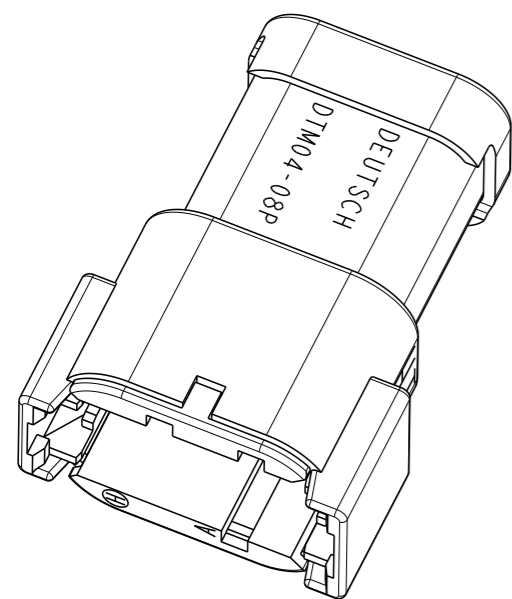
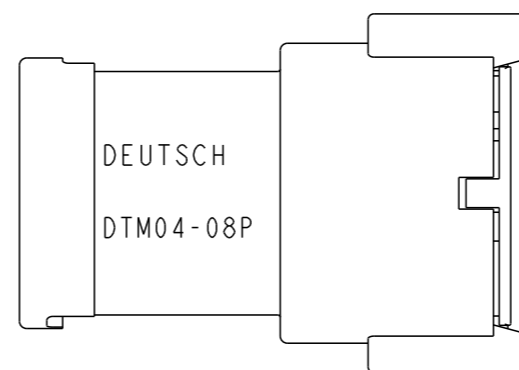


P	LTR	DESCRIPTION	DATE	DWN	APVD
NC		NEW RELEASE PER E.O. P20141	25FEB2009	PC	RDR
A		REVISED PER PCN E-20-002579	12MAY2020	MR	IG



HIGH TEMPERATURE IDENTIFIER



TE INTERNAL PN	DEUTSCH PN
DTM04-08PA-EE08	DTM04-08PA-EE08
DTM04-08PB-EE08	DTM04-08PB-EE08
DTM04-08PC-EE08	DTM04-08PC-EE08
DTM04-08PD-EE08	DTM04-08PD-EE08

CONTACT SIZE	MIN. INSUL. O.D.	MAX. INSUL. O.D.	WIRE RANGE [mm ²] REF ONLY
20	.053 [1.35]	.120 [3.05]	16-20 AWG [1.0-0.5]

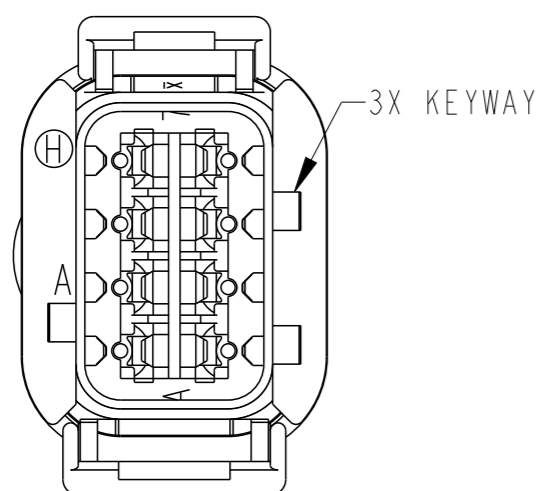
- 8 SEE SHEET 2 FOR OTHER KEY ARRANGEMENTS.
- 7. PART MODIFICATION: HOUSING/RETAINER IS RATED AT 150°C (COLOR: BLACK). END CAP ADDED AND IS RATED AT 150°C (COLOR BLACK)
- 6 MATERIAL - HOUSING/RETAINER/CAP: PA66 GF15; GROMMET: VMQ.
- 5. CONNECTOR DESIGNED TO BE USED WITH DTM06-08S*-***** PLUGS. (*) = A,B,C,D KEYS, (****) = ALL HIGH TEMPERATURE MODIFICATIONS. CONSULT FACTORY FOR MODIFICATIONS.
- 4 FOR CONTACT AND WIRE PERFORMANCE AND APPLICATION CHARACTERISTICS SEE ENVELOPE DRAWING 0425-015-0000.
- 3. SECONDARY WEDGE LOCK SOLD SEPARATELY: WM-8P.
- 2. DELETED.
- 1. DELETED.

UNLESS OTHERWISE SPECIFIED

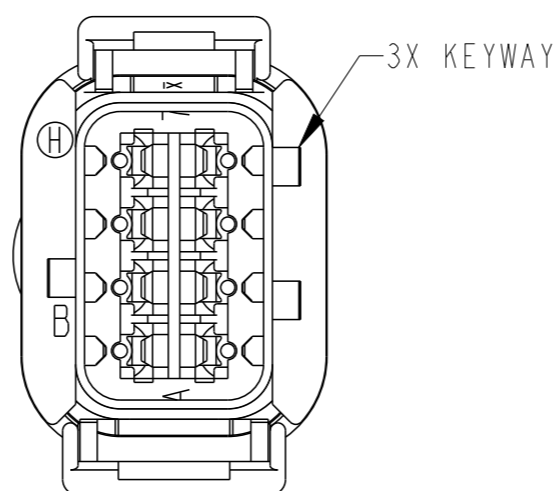
THIS DRAWING IS A CONTROLLED DOCUMENT.		DWN P. CARNAHAN 13FEB2009			
DIMENSIONS: INCHES [mm]		CHK B. BYFORD 25FEB2009			
TOLERANCES UNLESS OTHERWISE SPECIFIED:		APVD P. CARNAHAN 16FEB2009		NAME RECEPTACLE 8 CONTACTS, SIZE 20 DTM SERIES	
0 PLC ±		PRODUCT SPEC 108-151010		SIZE A3	
1 PLC ±		APPLICATION SPEC 0425-015-0000		CAGE CODE 00779	
2 PLC ±		WEIGHT 8.23 g		DRAWING NO. DTMO4-08PX-EE08	
3 PLC ±.025 [0.64]		CUSTOMER DRAWING		RESTRICTED TO -	
4 PLC ±		SCALE 2:1		SHEET 1 OF 2	
4 PLC ANGLES ±0°30'0"		REV A			
FINISH N/A					

REVISIONS

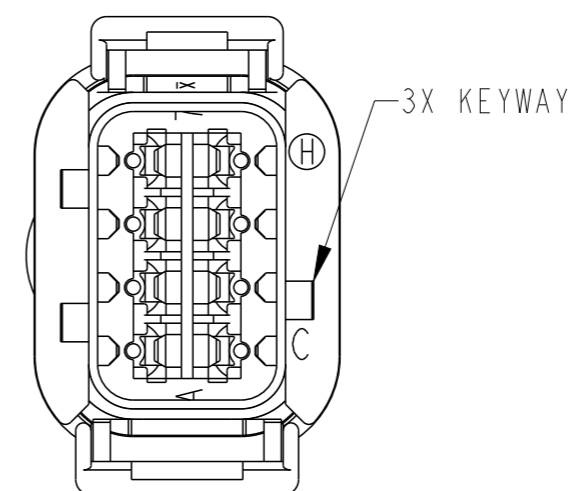
P	LTR	DESCRIPTION	DATE	DWN	APVD
		SEE SHEET 1			



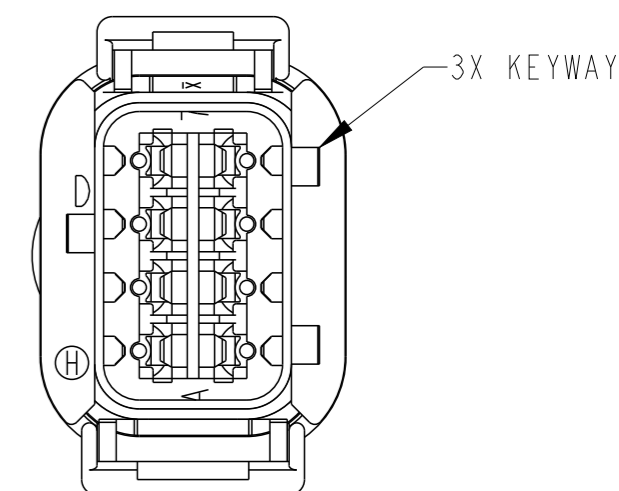
DTM04-08PA-EE08
KEY -A-
COLOR: BLACK



DTM04-08PB-EE08
KEY -B-
COLOR: BLACK



DTM04-08PC-EE08
KEY -C-
COLOR: BLACK



DTM04-08PD-EE08
KEY -D-
COLOR: BLACK

THIS DRAWING IS A CONTROLLED DOCUMENT.		DWN P. CARNAHAN 13FEB2009			
DIMENSIONS: INCHES [mm]		CHK B. BYFORD 25FEB2009			
TOLERANCES UNLESS OTHERWISE SPECIFIED:		APVD P. CARNAHAN 16FEB2009	NAME RECEPTACLE 8 CONTACTS, SIZE 20 DTM SERIES		
<ul style="list-style-type: none"> 0 PLC ± 1 PLC ± 2 PLC ± 3 PLC ±.025 [0.64] 4 PLC ± ANGLES ± ±0°30'0" 		PRODUCT SPEC 108-151010	RESTRICTED TO		
MATERIAL 6		APPLICATION SPEC 0425-015-0000	SIZE A3	CAGE CODE 00779	DRAWING NO DTM04-08PX-EE08
FINISH N/A		WEIGHT 8.23 g	SCALE 2:1	SHEET 2 OF 2	REV A
CUSTOMER DRAWING					