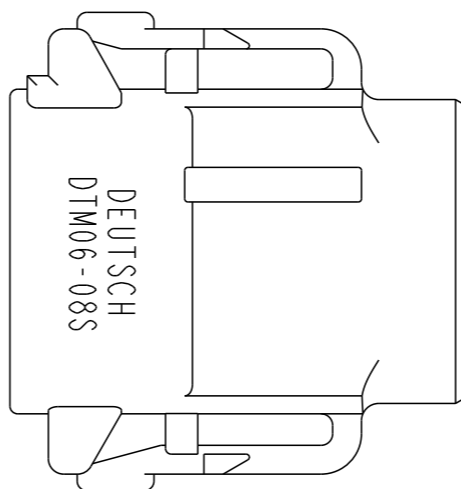
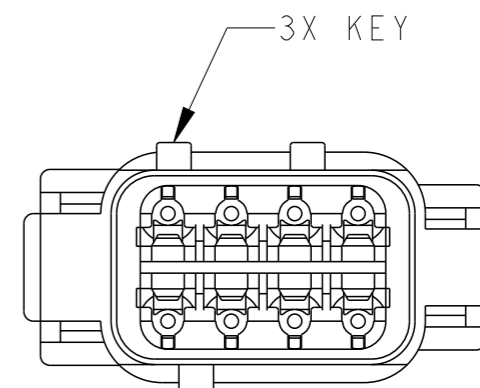
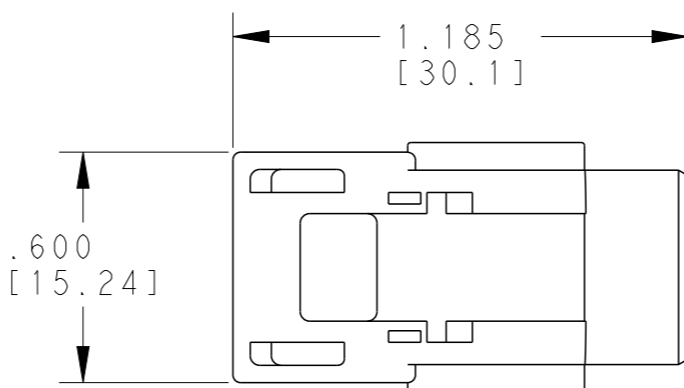
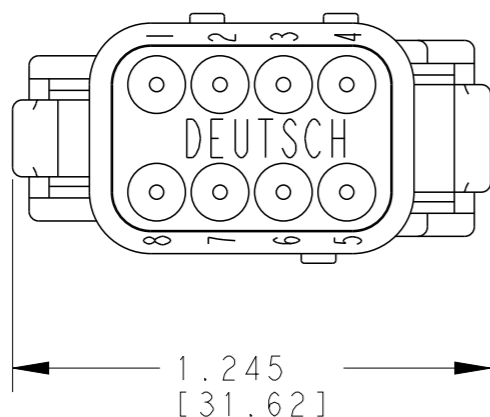
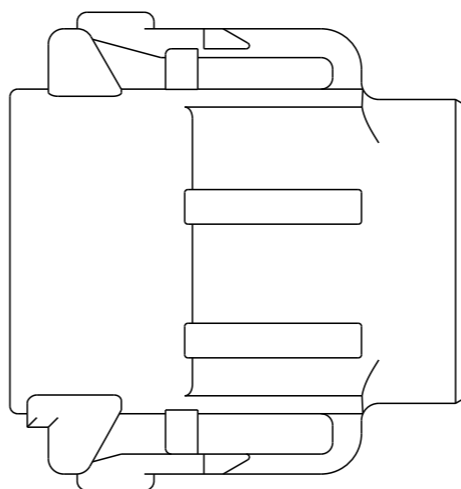
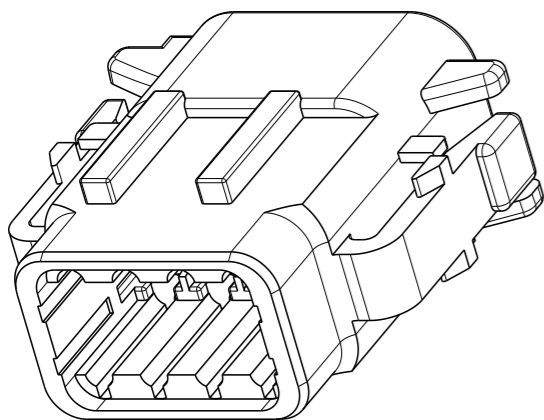


THIS DRAWING IS UNPUBLISHED. RELEASED FOR PUBLICATION 2014. © COPYRIGHT 1996 BY TE CONNECTIVITY ALL RIGHTS RESERVED.

LOC		DIST		REVISIONS			
P	LTR	DESCRIPTION	DATE	DWN	APVD		
	A	NEW RELEASE	12DEC2014	JA	DM		
	A1	REVISED PER ECO-15-000133	05JAN2015	JA	DM		
	A2	ECO-15-008171	29MAY2015	MGM	DM		



TE INTERNAL PN	DEUTSCH PN
DTM06-08SA-E004	DTM06-08SA-E004
2289631-1	DTM06-08SB-E004
DTM06-08SC-E004	DTM06-08SC-E004
DTM06-08SD-E004	DTM06-08SD-E004

CONTACT SIZE	MIN. INSUL. O.D.	MAX. INSUL. O.D.	WIRE RANGE [mm ²] REF ONLY
20	.053 [1.35]	.120 [3.05]	16-22 AWG [1.0-0.5]

5. SEE SHEET 2 FOR OTHER KEY ARRANGEMENTS.

4 MATERIAL - HOUSING: PA66, COLOR: BLACK; GROMMET: VMQ.

3. THIS PLUG MATES WITH DTM04-08PX-XXXX RECEPTACLE. (X = A,B,C,D KEYS; XXXX = ALL MODIFICATIONS)

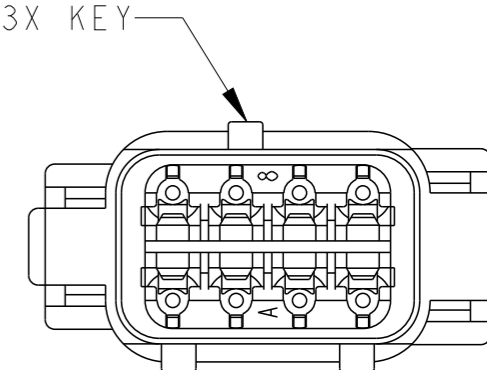
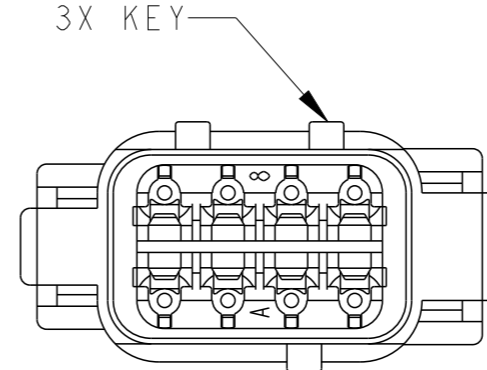
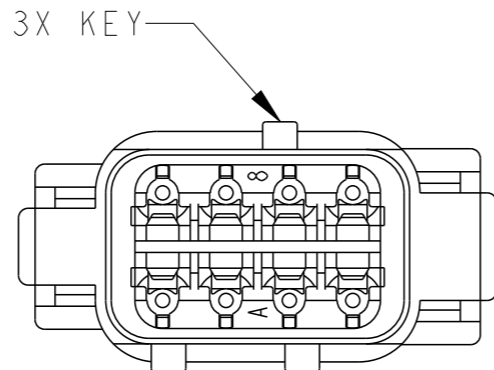
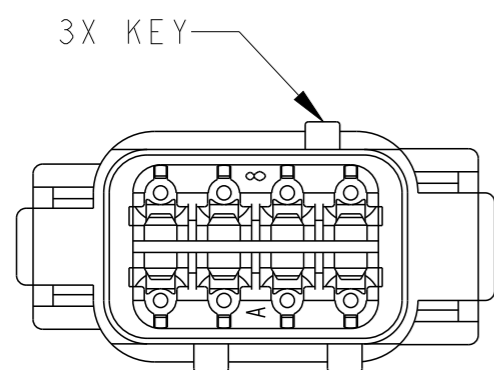
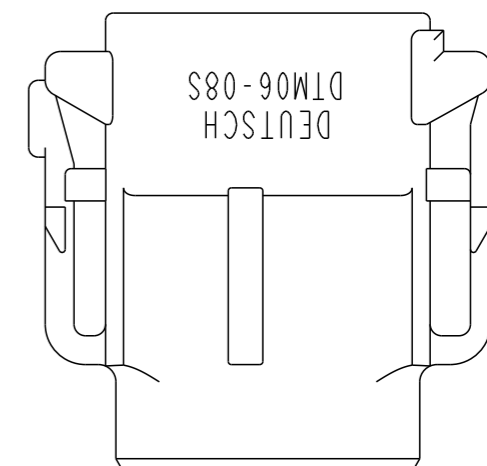
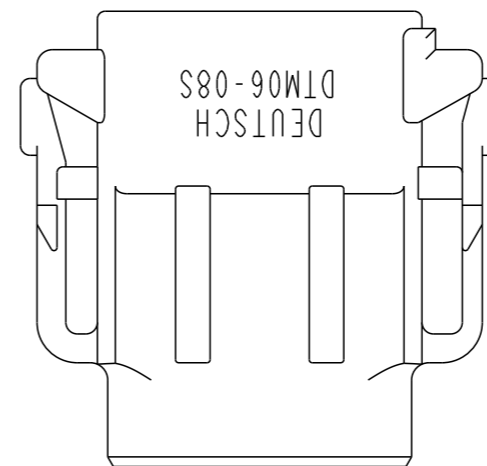
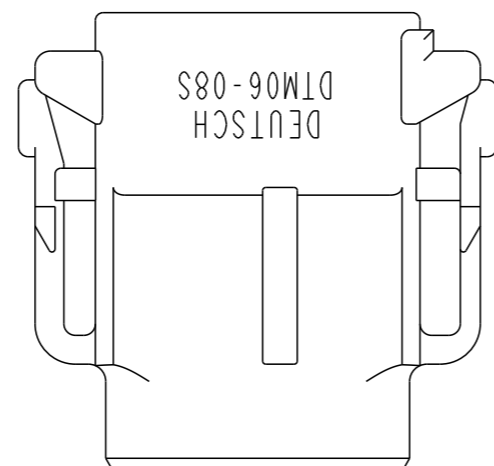
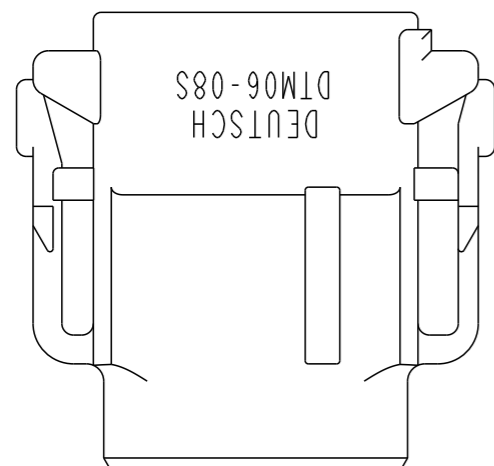
2 FOR CONTACT AND WIRE PERFORMANCE AND APPLICATION CHARACTERISTICS SEE ENVELOPE DRAWING 0425-015-0000.

1. SECONDARY WEDGE LOCK SOLD SEPARATELY: WM-8S.

NOTES: UNLESS OTHERWISE SPECIFIED

THIS DRAWING IS A CONTROLLED DOCUMENT.		DWN 12DEC2014 JAIME C. APOSTOL	TE TE Connectivity	
DIMENSIONS: INCHES [mm]		CHK 12DEC2014 BOB MILLIGAN		
TOLERANCES UNLESS OTHERWISE SPECIFIED:		APVD 12DEC2014 DAVID MEYER	NAME PLUG, BLACK 8 CONTACTS SIZE 20 DTM SERIES	
0 PLC ±		PRODUCT SPEC 108-151010	SIZE CAGE CODE DRAWING NO RESTRICTED TO	
1 PLC ±		APPLICATION SPEC 0425-015-0000	A3 4AFU8 C=DTM06-08SX-E004 -	
2 PLC ±		WEIGHT 8.31g	SCALE 2:1 SHEET 1 OF 2 REV A2	
3 PLC ±.025 [0.64]				
4 PLC ±				
ANGLES ± ±0°30'0"				
FINISH N/A				
MATERIAL 4				

LOC	DIST	REVISIONS			
P	LTR	DESCRIPTION	DATE	DWN	APVD
		SEE SHEET 1	-	-	-



**DTM06-08SA-E004
KEY -A-**

**DTM06-08SB-E004
KEY -B-**

**DTM06-08SC-E004
KEY -C-**

**DTM06-08SD-E004
KEY -D-**

THIS DRAWING IS A CONTROLLED DOCUMENT.		DWN JAIME C. APOSTOL 12DEC2014																
DIMENSIONS: INCHES [mm]		CHK BOB MILLIGAN 12DEC2014																
TOLERANCES UNLESS OTHERWISE SPECIFIED:		APVD DAVID MEYER 12DEC2014	NAME PLUG, BLACK 8 CONTACTS SIZE 20 DTM SERIES															
<table border="0"> <tr><td>0 PLC</td><td>±</td></tr> <tr><td>1 PLC</td><td>±</td></tr> <tr><td>2 PLC</td><td>±</td></tr> <tr><td>3 PLC</td><td>±.025 [0.64]</td></tr> <tr><td>4 PLC</td><td>±</td></tr> <tr><td>ANGLES</td><td>±0°30'0"</td></tr> </table>		0 PLC	±	1 PLC	±	2 PLC	±	3 PLC	±.025 [0.64]	4 PLC	±	ANGLES	±0°30'0"	PRODUCT SPEC 108-151010	SIZE A3	CAGE CODE 4AFU8	DRAWING NO DTM06-08SX-E004	RESTRICTED TO -
0 PLC	±																	
1 PLC	±																	
2 PLC	±																	
3 PLC	±.025 [0.64]																	
4 PLC	±																	
ANGLES	±0°30'0"																	
MATERIAL 4		FINISH N/A	APPLICATION SPEC 0425-015-0000	WEIGHT 8.31g	SCALE 2:1	SHEET 2 OF 2	REV A2											
Customer Drawing																		