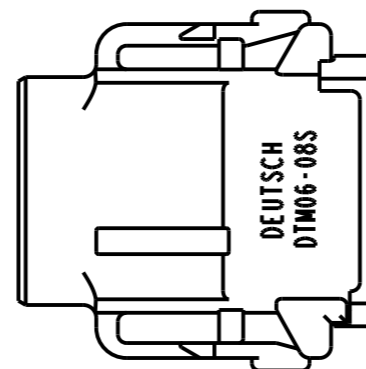
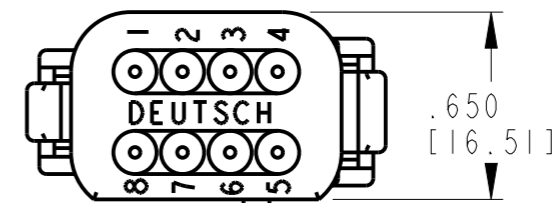
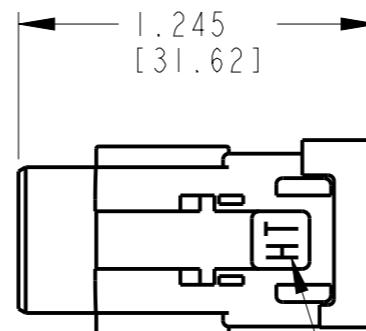
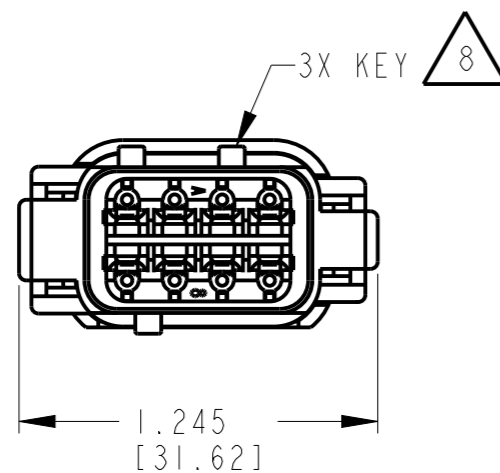
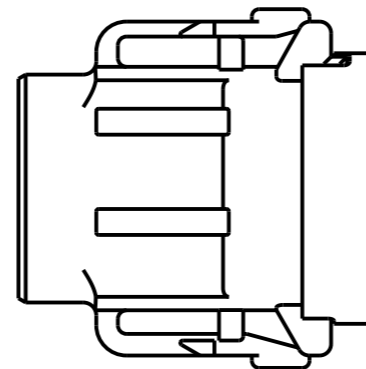
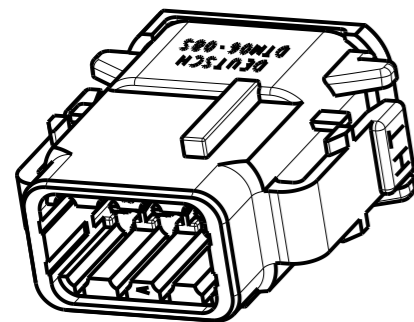


P	LTR	DESCRIPTION	DATE	DWN	APVD
	NC	NEW RELEASE PER E.O. P20141	25FEB2009	PC	RDR
	A	REVISED PER PCN E-20-002579	11MAY2020	MR	IG



TE INTERNAL PN	DEUTSCH PN
DTM06-08SA-EE08	DTM06-08SA-EE08
DTM06-08SB-EE08	DTM06-08SB-EE08
DTM06-08SC-EE08	DTM06-08SC-EE08
DTM06-08SD-EE08	DTM06-08SD-EE08

CONTACT SIZE	MIN. INSUL. O.D.	MAX. INSUL. O.D.	WIRE RANGE [mm ²] REF ONLY
20	.053 [1.35]	.120 [3.05]	16-22 AWG [1.0-0.5]

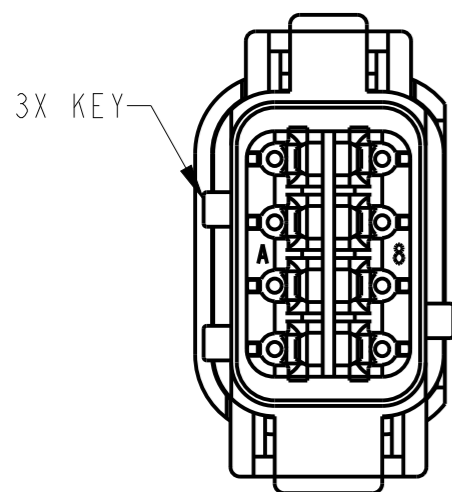
- 8 SEE SHEET 2 FOR OTHER KEY ARRANGEMENTS.
- 7. PART MODIFICATION: PLUG IS RATED AT 150°C (COLOR: BLACK). END CAP ADDED AND IS RATED AT 150°C (COLOR BLACK).
- 6 MATERIAL - HOUSING\CAP: PA66 GF15; GROMMET: VMQ.
- 5. CONNECTOR DESIGNED TO BE USED WITH DTM04-08P*-**** RECEPTACLES. (*) = A,B,C,D KEYS, (****) = ALL HIGH TEMPERATURE MODIFICATIONS. CONSULT FACTORY FOR MODIFICATIONS.
- 4 FOR CONTACT AND WIRE PERFORMANCE AND APPLICATION CHARACTERISTICS SEE ENVELOPE DRAWING 0425-015-0000.
- 3. SECONDARY WEDGE LOCK SOLD SEPARATELY: WM-8S.
- 2. DELETED.
- 1. DELETED.

UNLESS OTHERWISE SPECIFIED

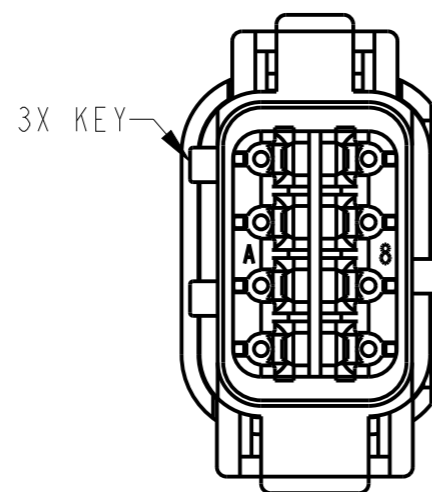
THIS DRAWING IS A CONTROLLED DOCUMENT.		DWN P. CARNAHAN 11MAY2020	TE Connectivity F9003	
DIMENSIONS: INCHES [mm]		CHK B. BYFORD 25FEB2009		
TOLERANCES UNLESS OTHERWISE SPECIFIED:		APVD D. MEYER 17FEB2009	NAME PLUG 8 CONTACTS SIZE 20 DTM SERIES	
0 PLC ± 1 PLC ± 2 PLC ± 3 PLC ±.025 [0.64] 4 PLC ± ANGLES ±0°30'0"		PRODUCT SPEC 108-151010	SIZE A3	
MATERIAL 6		APPLICATION SPEC 114-151010	CAGE CODE 00779	DRAWING NO. DTM06-08SX-EE08
FINISH N/A		WEIGHT 9 g	RESTRICTED TO -	
		CUSTOMER DRAWING	SCALE 2:1	SHEET 1 OF 2 REV A

REVISIONS

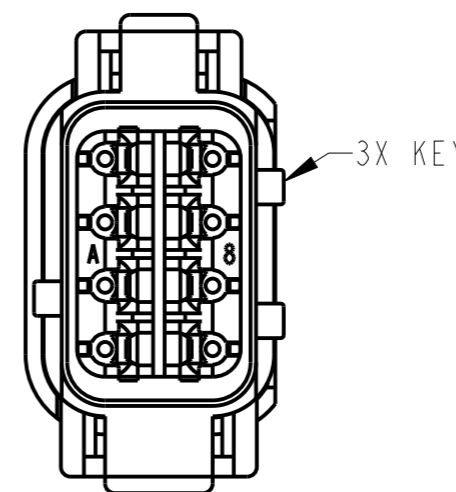
P	LTR	DESCRIPTION	DATE	DWN	APVD
-		SEE SHEET 1	-	-	-



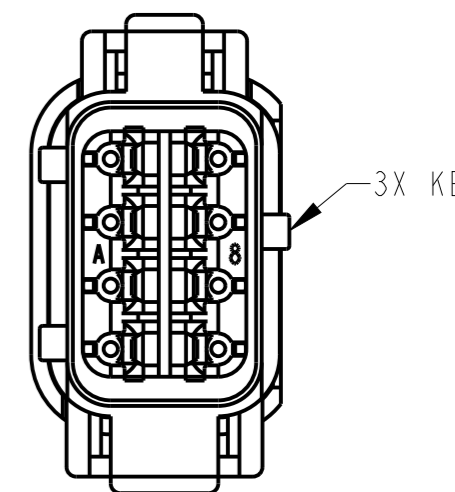
DTM06-08SA-EE08
KEY -A-
COLOR: BLACK



DTM06-08SB-EE08
KEY -B-
COLOR: BLACK



DTM06-08SC-EE08
KEY -C-
COLOR: BLACK



DTM06-08SD-EE08
KEY -D-
COLOR: BLACK

SEE SHEET 1.

THIS DRAWING IS A CONTROLLED DOCUMENT.		DWN P. CARNAHAN 11MAY2020														
DIMENSIONS: INCHES [mm]		CHK B. BYFORD 25FEB2009														
TOLERANCES UNLESS OTHERWISE SPECIFIED:		APVD D. MEYER 17FEB2009	NAME PLUG 8 CONTACTS SIZE 20 DTM SERIES													
<table border="0"> <tr><td>0 PLC</td><td>±</td></tr> <tr><td>1 PLC</td><td>±</td></tr> <tr><td>2 PLC</td><td>±</td></tr> <tr><td>3 PLC</td><td>±.025 [0.64]</td></tr> <tr><td>4 PLC</td><td>±</td></tr> <tr><td>ANGLES</td><td>±0°30'0"</td></tr> </table>		0 PLC	±	1 PLC	±	2 PLC	±	3 PLC	±.025 [0.64]	4 PLC	±	ANGLES	±0°30'0"	PRODUCT SPEC 108-151010	RESTRICTED TO	
0 PLC	±															
1 PLC	±															
2 PLC	±															
3 PLC	±.025 [0.64]															
4 PLC	±															
ANGLES	±0°30'0"															
MATERIAL 		APPLICATION SPEC 114-151010	SIZE A3	CAGE CODE 00779	DRAWING NO G=DTM06-08SX-EE08											
FINISH N/A		WEIGHT 9 g	SCALE 2:1													
		CUSTOMER DRAWING		SHEET 2 OF 2												
				REV A												