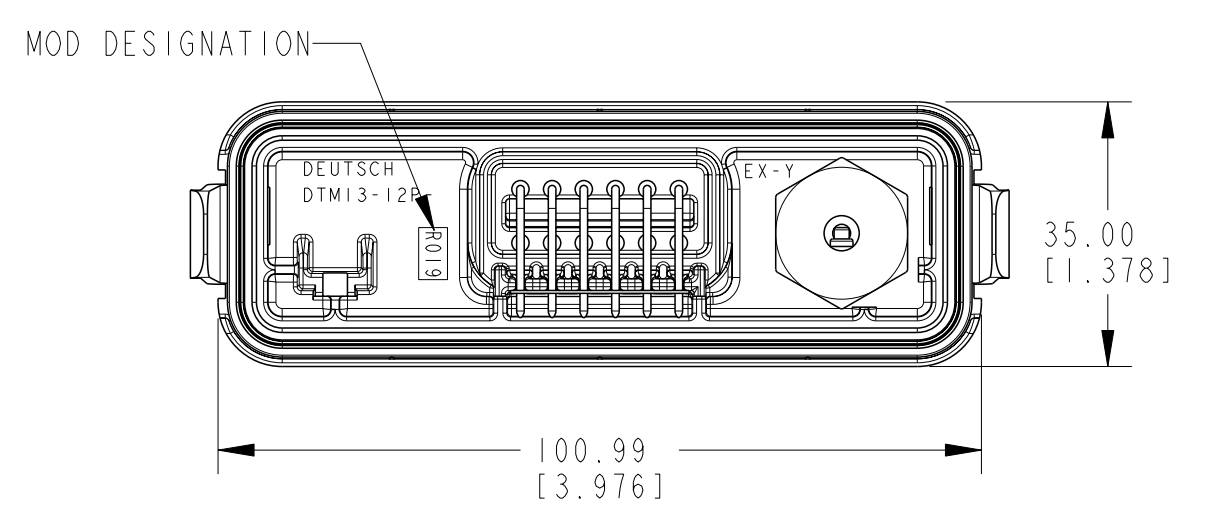
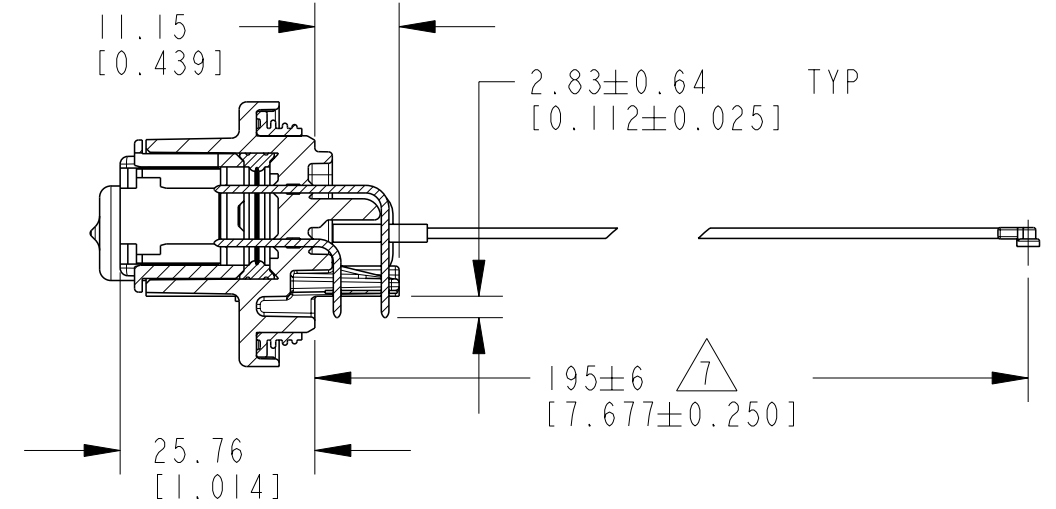
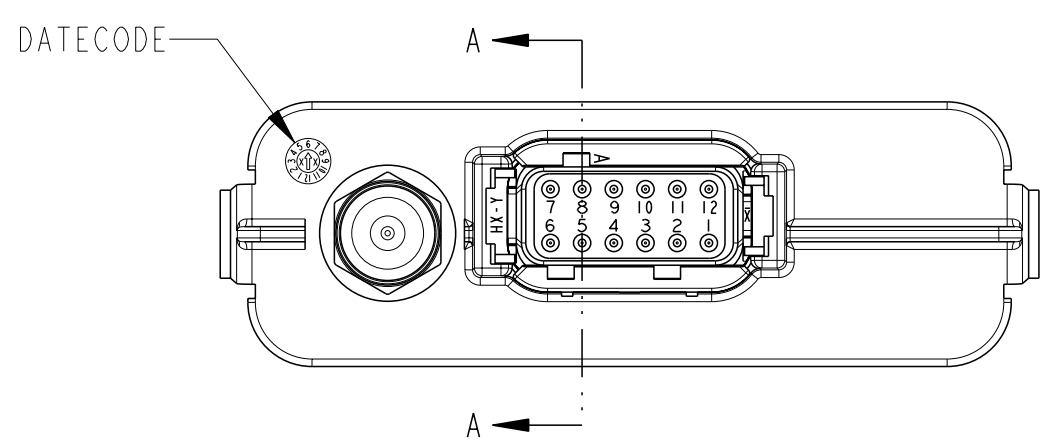
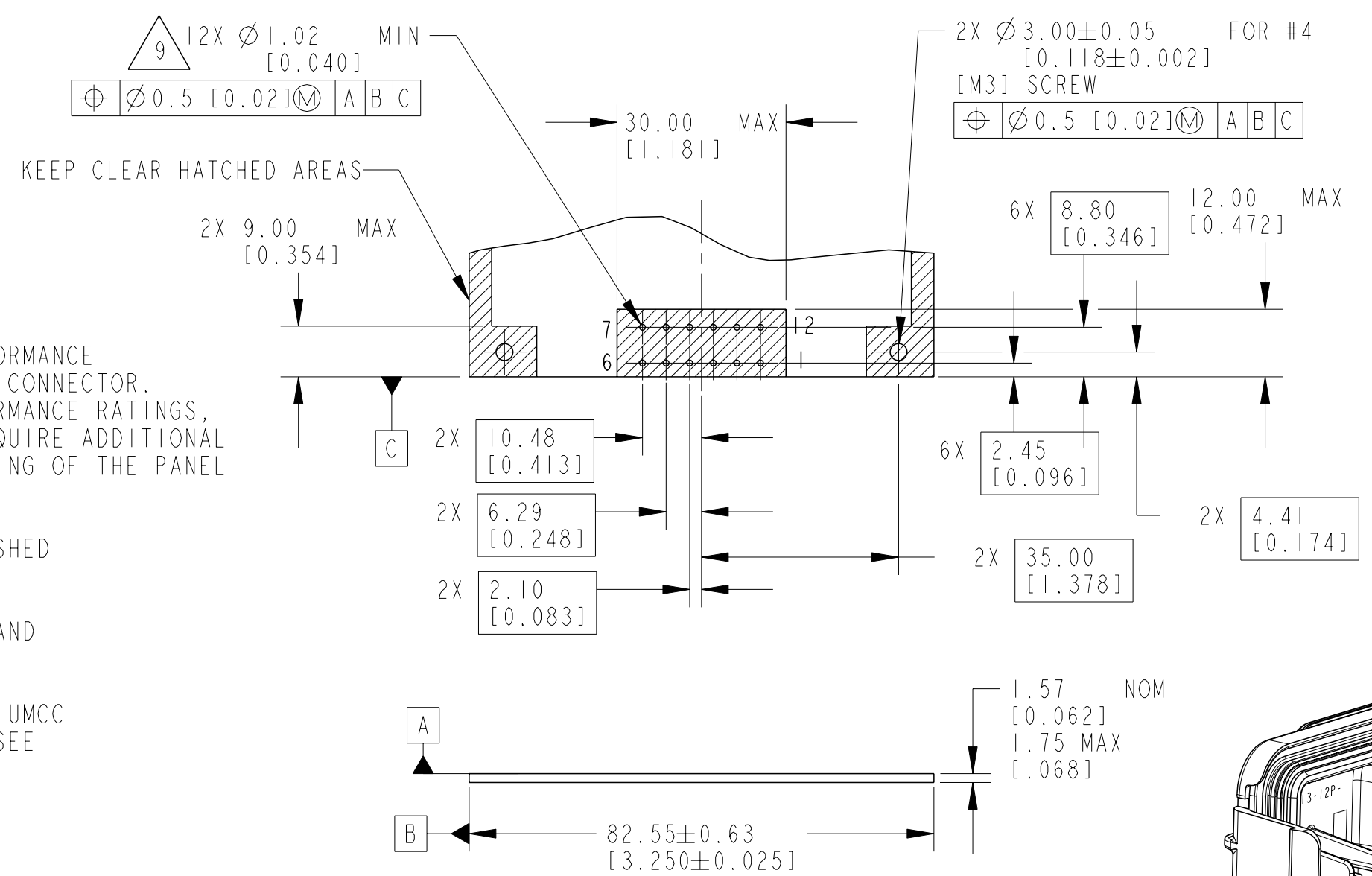
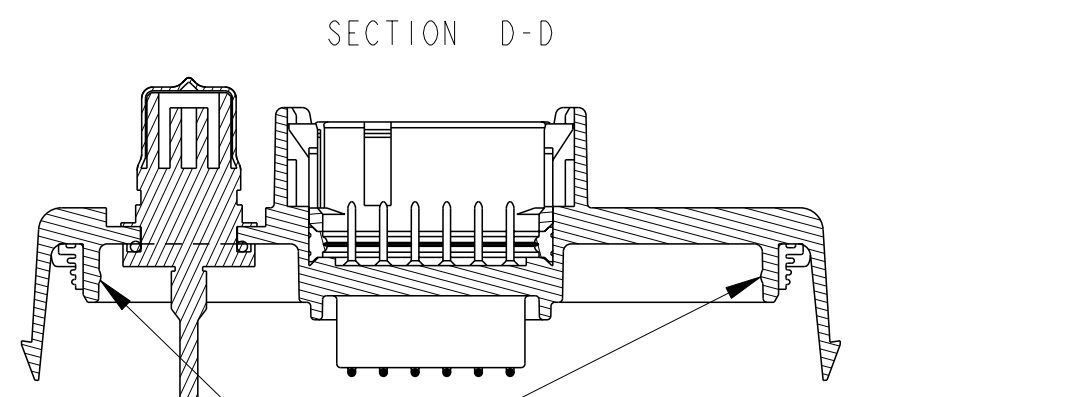
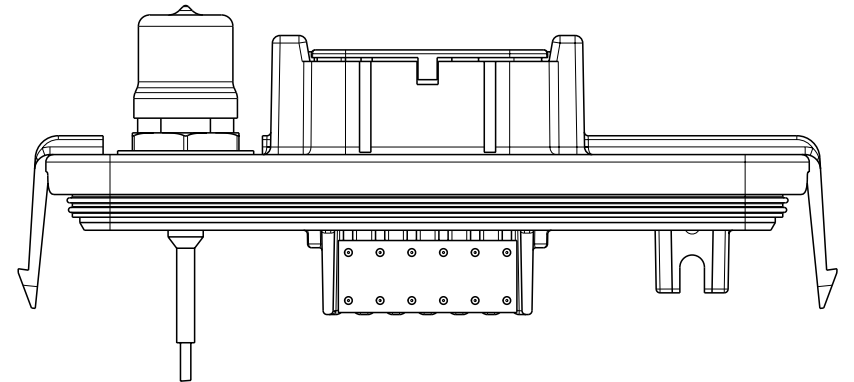


THIS DRAWING IS UNPUBLISHED. RELEASED FOR PUBLICATION 20
 © COPYRIGHT 20 BY TE Connectivity ALL RIGHTS RESERVED.

REVISIONS					
P	LTR	DESCRIPTION	DATE	DWN	APVD
A2		REVISED PER ECR-20-009832	09JUL2020	DB	IG
A3		REVISED PER PCN E-20-010705	28JUL2020	DB	IG
A4		REVISED PER PCN E-21-000918	22JAN2021	DB	IG
A5		REVISED PER PCN-22-156615	07JUL2023	MK	IG

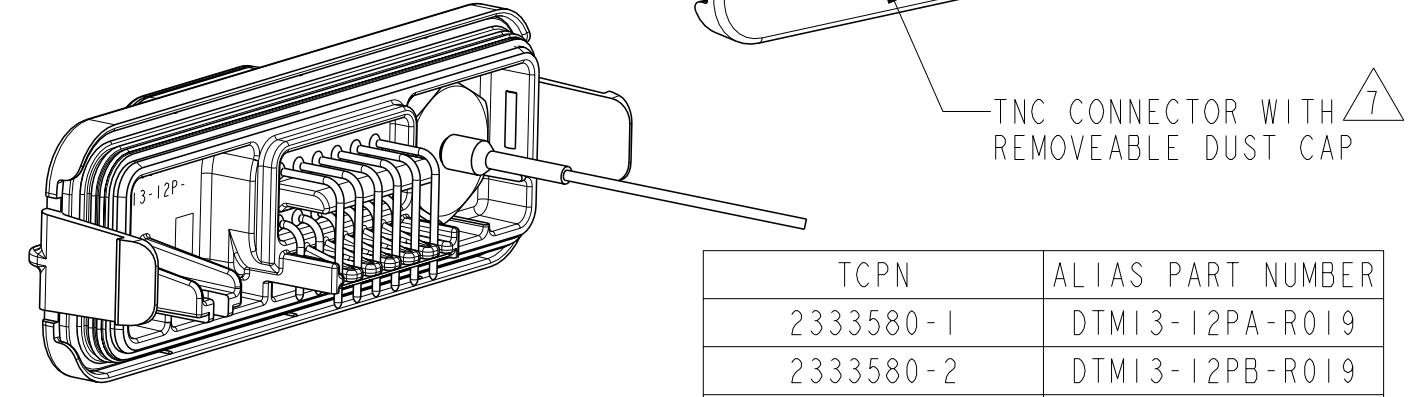


SECTION A-A



PCB FOOTPRINT AND KEEP CLEAR AREAS

3D VIEWS



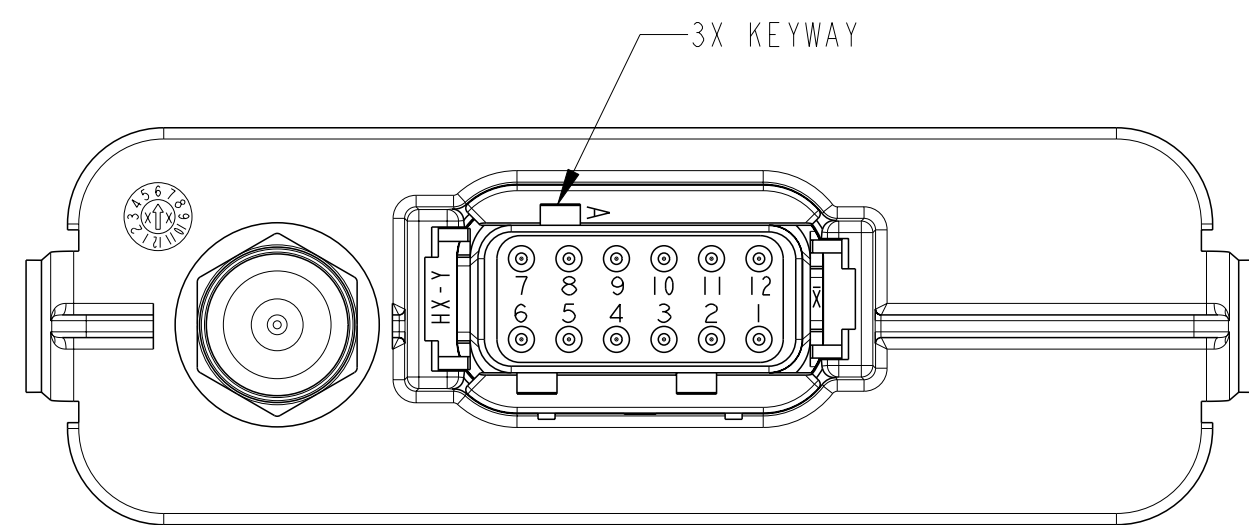
TCPN	ALIAS PART NUMBER
2333580-1	DTM13-12PA-R019
2333580-2	DTM13-12PB-R019
2333580-3	DTM13-12PC-R019
2333580-4	DTM13-12PD-R019

- 10. SEE PRODUCT SPEC 108-151090 FOR PERFORMANCE RATINGS. PERFORMANCE RATINGS MAY BE REDUCED WITH RESPECT TO THE INSTALLED TNC CONNECTOR. THE TNC PANEL NUT HAS BEEN TORQUED TO MEET INTERNAL PERFORMANCE RATINGS, HOWEVER CUSTOMER SPECIFIC APPLICATION REQUIREMENTS MAY REQUIRE ADDITIONAL PROCESSING AND/OR COMPONENTS TO PREVENT UNINTENDED LOOSENING OF THE PANEL NUT AND REDUCED SEAL PERFORMANCE.
 - 9. MINIMUM RECOMMENDED HOLE SIZE. CUSTOMER TO DETERMINE FINISHED HOLE SIZE BASED ON SOLDER PROCESS, THRU-HOLE PLATING, ETC.
 - 8. SEE DRAWING EEC-325X4A/B FOR FULL PCB SIZE SPECIFICATION AND COMPONENT HEIGHT RESTRICTIONS.
 - 7. TNC CONNECTOR INCLUDES 195±6 mm [7.677±.250 in] CABLE AND UMCC CONNECTOR APPLIED TO END OF CABLE FOR CONNECTION TO PCB. SEE DRAWING 2016456 FOR FULL TNC CONNECTOR SPECIFICATIONS. TNC CONNECTOR IS SUPPLIED WITH REMOVEABLE DUST CAP.
 - 6. SEE SHEET 2 FOR OTHER KEY ARRANGEMENTS.
 - 5. THIS RECEPTACLE IS USED WITH EEC-325X4(A OR B) ENCLOSURE. SEE ENVELOPE DRAWING EEC-325X4A/EEC-325X4B FOR ENCLOSURE INFORMATION.
 - 4. THIS RECEPTACLE MATES WITH DTM06-12S*-**** PLUG. (* = A,B,C,D KEYS; **** = ALL MODIFICATIONS).
 - 3. MATERIAL: HOUSING: PA46 GF30 BLACK; SEALS: SILICONE RUBBER; CONTACTS: COPPER ALLOY.
 - 2. CONTACT PLATING: MATING SIDE: NICKEL; PCB SIDE: TIN.
 - 1. DIMENSIONS ARE IN MILLIMETERS [IN].
- NOTES: UNLESS OTHERWISE SPECIFIED

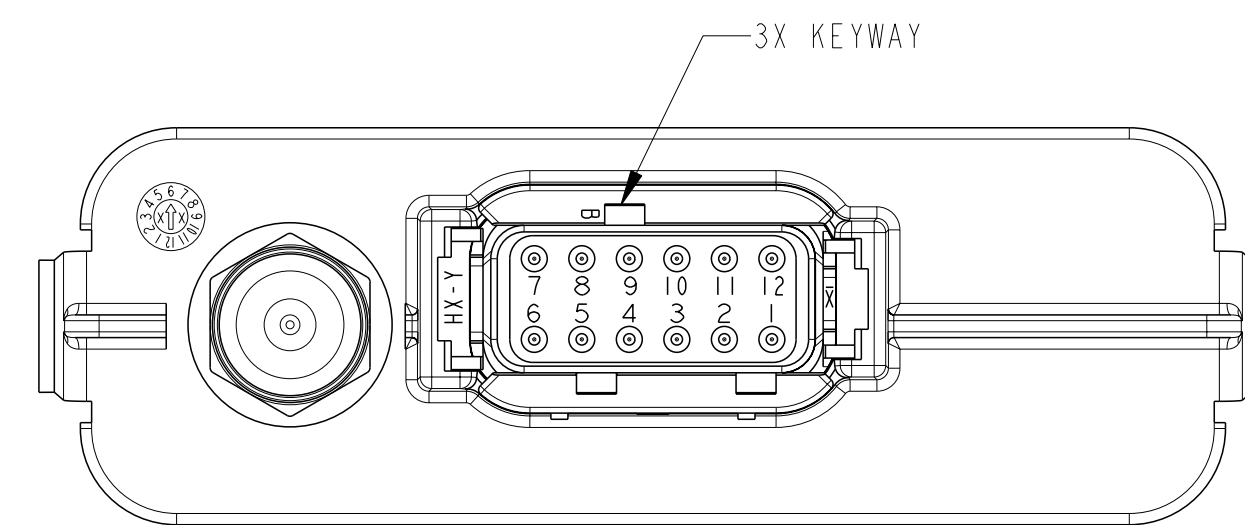
THIS DRAWING IS A CONTROLLED DOCUMENT.		DWN K. McKEE 23MAR2018	TE Connectivity	
DIMENSIONS: mm [in]		CHK K. McKEE 20AUG2018		
TOLERANCES UNLESS OTHERWISE SPECIFIED:		APVD D. MEYER 20AUG2018	NAME RECEPTACLE HEADER 12 POS, #20 SIZE CONTACT R019 MOD, DTM SERIES	
0 PLC ± 1 PLC ± 2 PLC ±0.25 [0.010] 3 PLC ± 4 PLC ±		PRODUCT SPEC 10	SIZE A2	
MATERIAL 3		APPLICATION SPEC -	CAGE CODE 4AFU8	DRAWING NO DTM13-12PX-R019
ANGLES FINISH		WEIGHT 63.2 g	RESTRICTED TO -	SCALE 1:1
		CUSTOMER DRAWING	SHEET 1 OF 2	REV A5

Printed on 7 Jul 2023 20:55 (Impio Standard Time) from TE387095

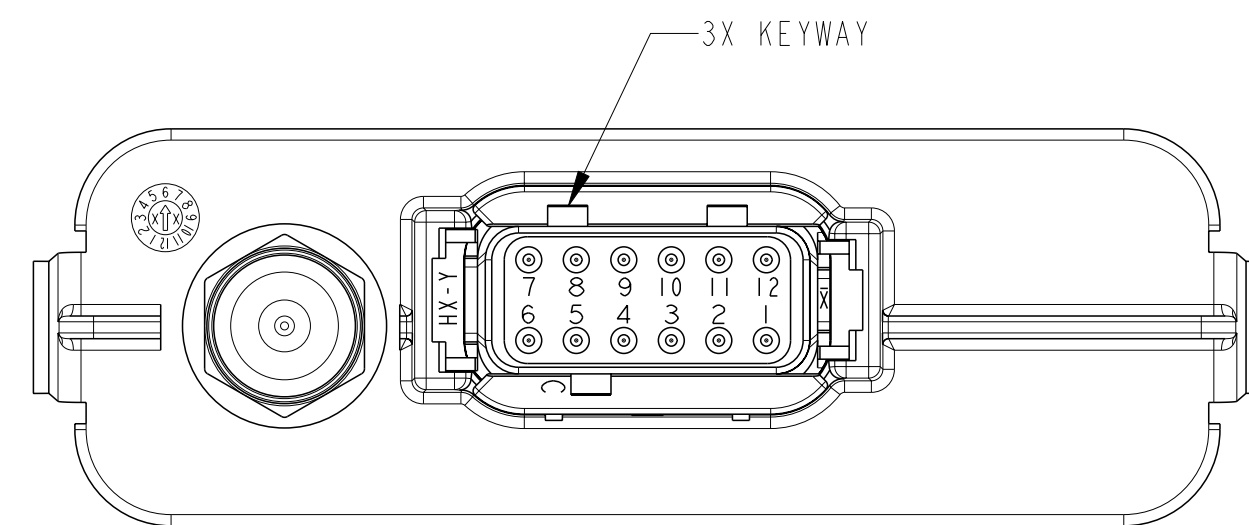
REVISIONS				
P	LTR	DESCRIPTION	DATE	APVD
-		SEE SHEET 1	-	-



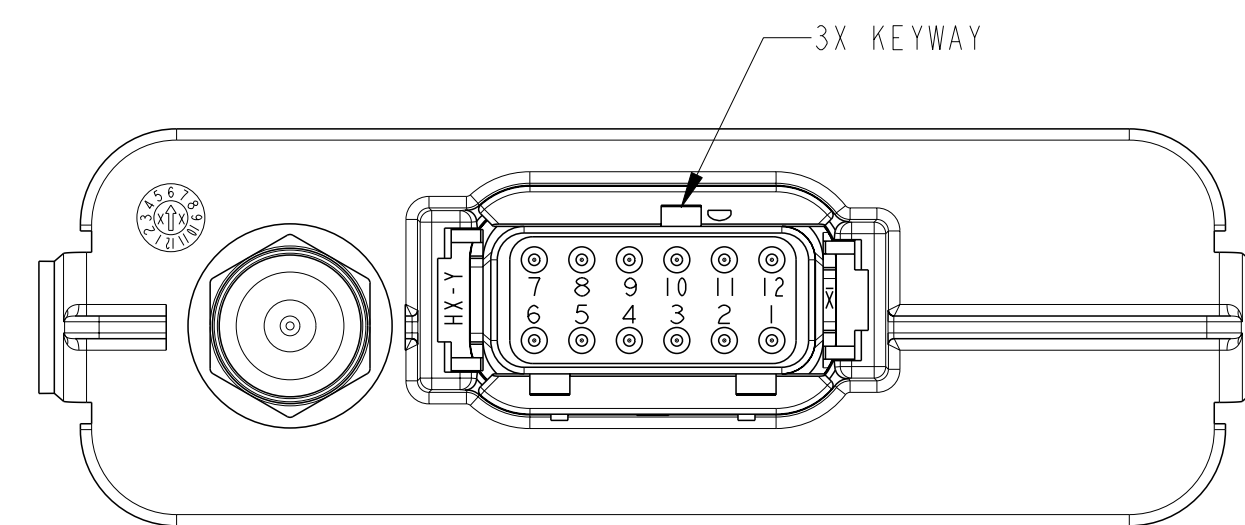
DTM13-12PA-R019
KEY -A-
SLEEVE COLOR: GREY



DTM13-12PB-R019
KEY -B-
SLEEVE COLOR: BLACK



DTM13-12PC-R019
KEY -C-
SLEEVE COLOR: GREEN



DTM13-12PD-R019
KEY -D-
SLEEVE COLOR: BROWN

THIS DRAWING IS A CONTROLLED DOCUMENT.		DWN K. McKEE 23MAR2018	STE TE Connectivity	
DIMENSIONS: mm [in]		CHK K. McKEE 20AUG2018		
TOLERANCES UNLESS OTHERWISE SPECIFIED:		APVD D. MEYER 20AUG2018	NAME RECEPTACLE HEADER 12 POS., #20 SIZE CONTACT R019 MOD, DTM SERIES	
0 PLC ±		PRODUCT SPEC	SIZE	CAGE CODE
1 PLC ±		APPLICATION SPEC	A2	4AFU8
2 PLC ±0.25 [0.010]		WEIGHT	DRAWING NO	
3 PLC ±		63.2 g	G=DTM13-12PX-R019	
4 PLC ±		CUSTOMER DRAWING	SCALE	SHEET
ANGLES ±0°30'0"			1:1	2 OF 2
FINISH			REV	A4
MATERIAL				
3				

printed on 7 Jul 2023 20:55 (Impio Standard Time) from TE387095