

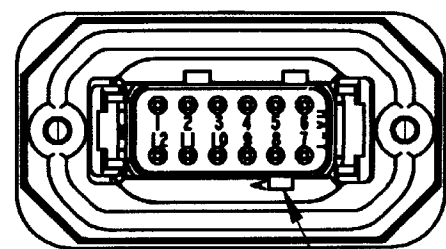
REV	DTM15-12P*-G003	REVISIONS			
NC		SYM	DESCRIPTION	DATE	APPROVED
		NC	NEW RELEASE PER E.O. P20151	3-4-09	RDR

4. CONTACT PLATING - MATING SIDE: GOLD; PCB SIDE: TIN.
  3. MATERIAL - PLASTIC (HOUSING:GRAY; SLEEVE RETAINER: SEE SHEET 2); SEALS: RUBBER.
  2. DIMENSION TOLERANCE: ±.025 [0.64]; PANEL CUTOUT: ±.010 [0.25].
  1. DIMENSIONS ARE IN INCHES [mm].
- NOTES: UNLESS OTHERWISE SPECIFIED

5. THIS RECEPTACLE MATES WITH DTM06-12S\*-\*\*\*\* PLUG (\*=A,B,C,D KEYS; \*\*\*\*=ALL MODIFICATIONS).

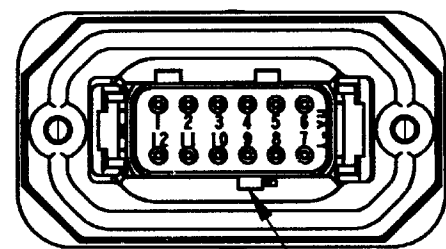
SIGNATURE & DATE		RECEPTACLE 12 #20 SIZE CONTACTS KEY ARRANGEMENTS A, B, C & D -G003 MOD DTM SERIES ENVELOPE	EP	MATL CODE
DR	J. APOSTOL 24FEB2009		3850 INDUSTRIAL AVE. HEMET, CA 92545	
CHK	B. B. 3/4/09		DEUTSCH INDUSTRIAL	
PE			B DTM15-12P*-G003	
APPD	R. B. 3-4-09		DWG SIZE	CODE 1139 SHEET 1 OF 2
SCALE	NONE	WT		

DTM15-12PA-G003  
KEY: -A-



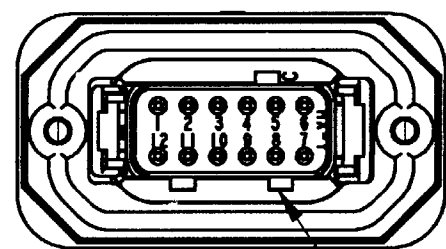
3X KEYWAY  
SLEEVE RETAINER: GRAY

DTM15-12PB-G003  
KEY: -B-



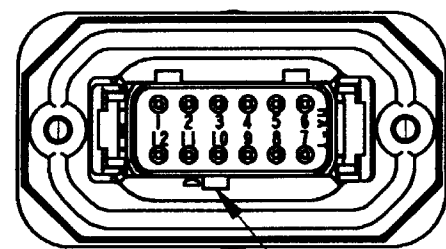
3X KEYWAY  
SLEEVE RETAINER: BLACK

DTM15-12PC-G003  
KEY: -C-



3X KEYWAY  
SLEEVE RETAINER: GREEN

DTM15-12PD-G003  
KEY: -D-

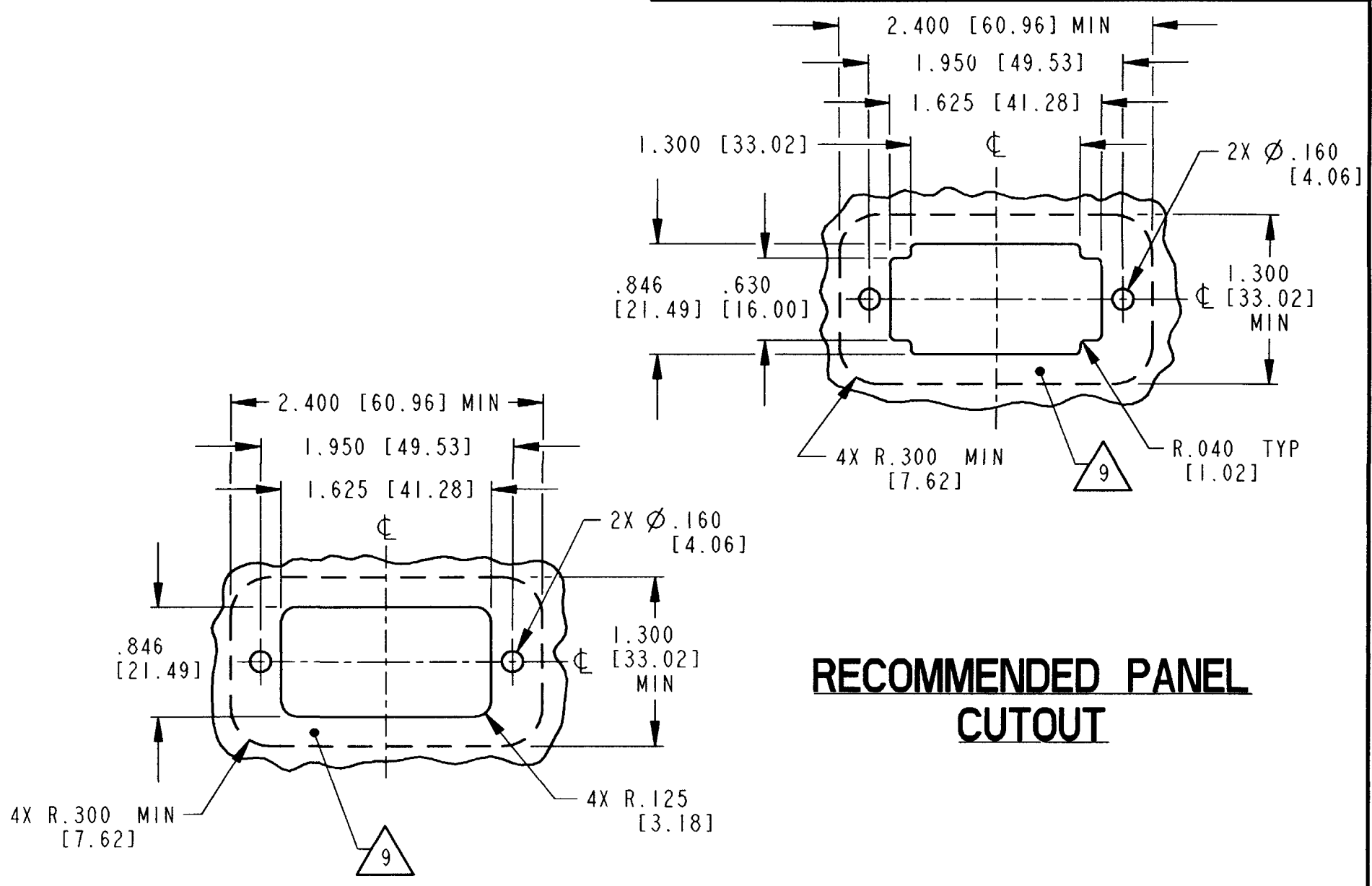


3X KEYWAY  
SLEEVE RETAINER: BROWN

NOTES:

REV	SYM	DESCRIPTION	DATE	APPROVED
NC		SEE SHEET ONE	3-4-09	RDR

REV NC DTM15-12P\*-G003



**RECOMMENDED PANEL CUTOUT**

SIGNATURE & DATE		RECEPTACLE 12 #20 SIZE CONTACTS KEY ARRANGEMENTS A, B, C & D -G003 MOD DTM SERIES ENVELOPE	EP	MATL. CODE
DR	J. APOSTOL 24FEB2009		3850 INDUSTRIAL AVE. HEMET, CA 92545	
CHK	B. Byford 3/4/09		DEUTSCH INDUSTRIAL	
PE	[Signature]		B DTM15-12P*-G003	
APPD	R. Reed 3-4-09		DWG SIZE	CODE 11139 SHEET 2 OF 2
SCALE	NONE	WT		