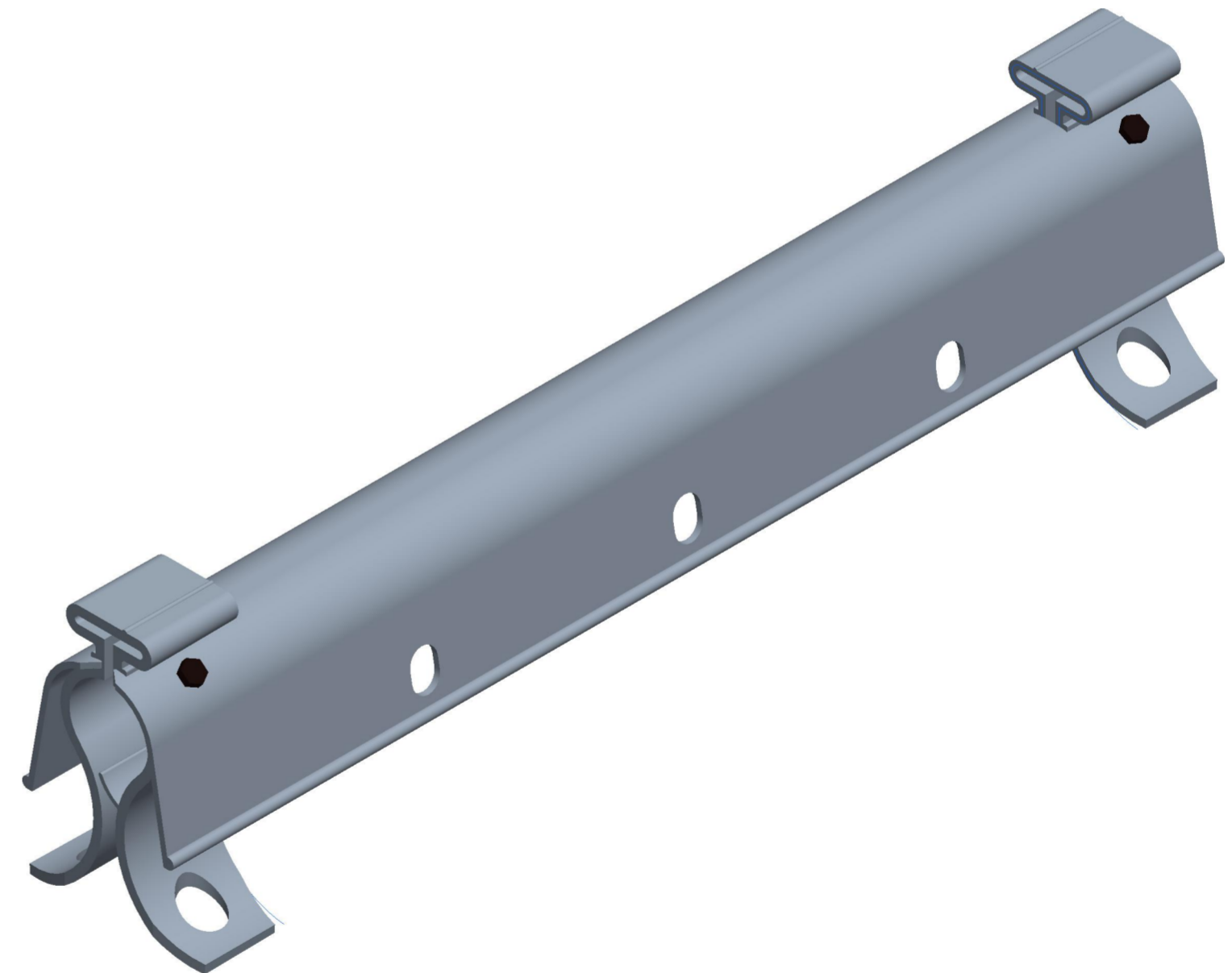
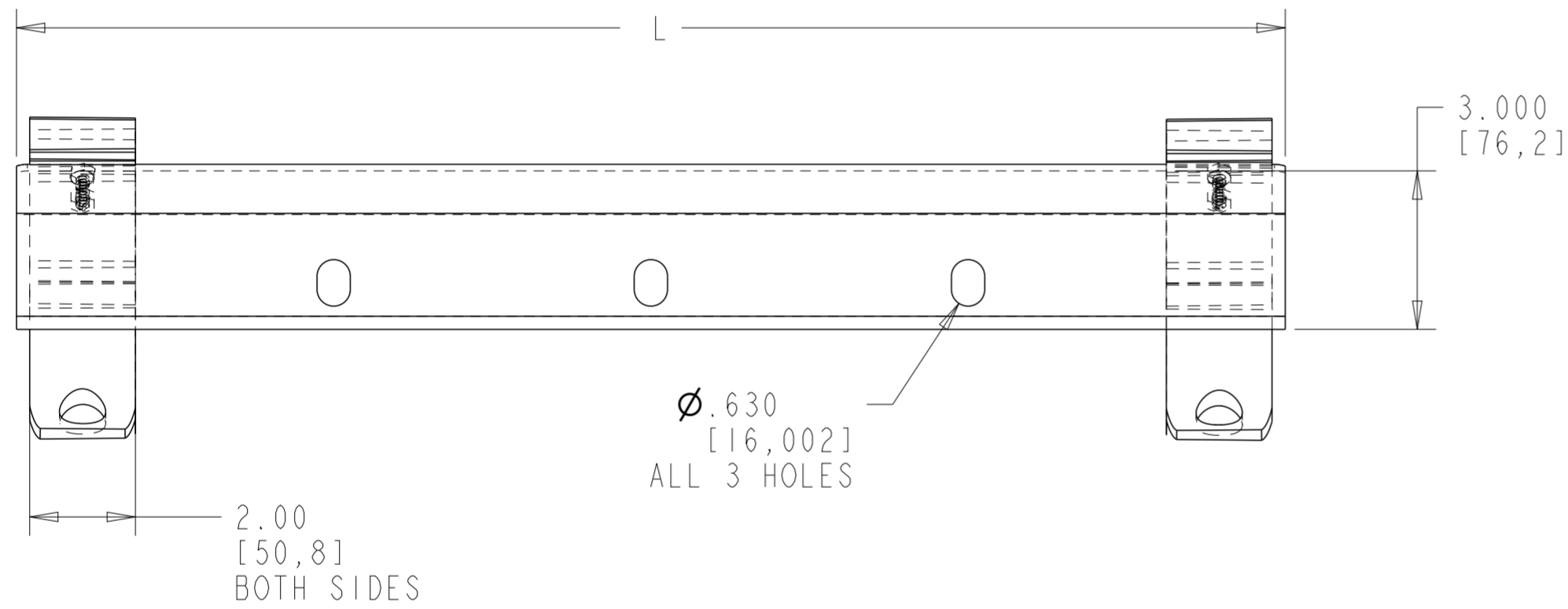
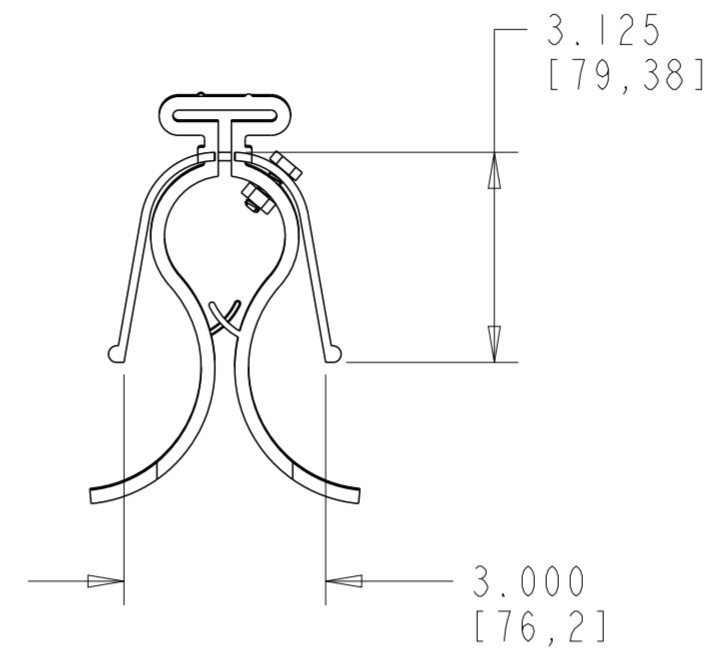
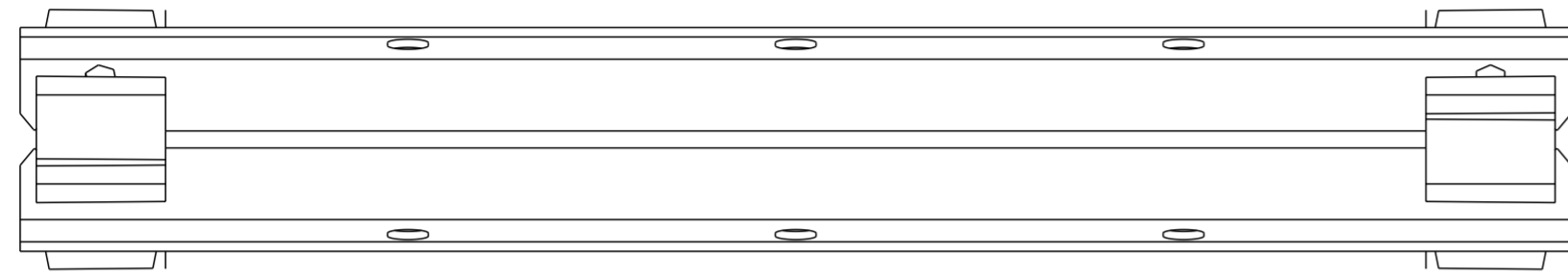


P	LTR	DESCRIPTION	DATE	DWN	APVD
A		INITIAL RELEASE	18APR2020	AS	LH
AI		REV. PER ECN-24-273738	03MAY2024	SP	LH



TCPN	DESCRIPTION	L INCH(MM)	MATERIAL
E43398-000	BCIC-G-ARM-24(B12)	24 (610)	TE STANDARD GRAY
F42213-000	BCIC-G-ARM-48(B12)	48 (1219)	TE STANDARD GRAY
ES4631-000	BCIC+G-ARM-24(B12)	24 (610)	TE STANDARD GRAY V0

NOTES:

- PARTS TO BE KITTED 12 PIECES PER BOX.
- EACH BOX SHALL BE LABELLED WITH DESCRIPTION, LOT NUMBER, PART NUMBER MANUFACTURING DATE ADN QUANTITY.

THIS DRAWING IS A CONTROLLED DOCUMENT.		DWN A. SABARAD 18APR2020																
DIMENSIONS: INCH(MM)		CHK S. LIGHT 18APR2020																
TOLERANCES UNLESS OTHERWISE SPECIFIED:		APVD L. HILLER 18APR2020	NAME BCIC-G-ARM-24(B12)															
<table border="1"> <tr><td>0 PLC</td><td>±</td></tr> <tr><td>1 PLC</td><td>±0.1</td></tr> <tr><td>2 PLC</td><td>±0.01</td></tr> <tr><td>3 PLC</td><td>±0.001</td></tr> <tr><td>4 PLC</td><td>±0.0001</td></tr> <tr><td>ANGLES</td><td>±</td></tr> <tr><td>FINISH</td><td>-</td></tr> </table>		0 PLC	±	1 PLC	±0.1	2 PLC	±0.01	3 PLC	±0.001	4 PLC	±0.0001	ANGLES	±	FINISH	-	PRODUCT SPEC -	SIZE A2	CAGE CODE 00779
0 PLC	±																	
1 PLC	±0.1																	
2 PLC	±0.01																	
3 PLC	±0.001																	
4 PLC	±0.0001																	
ANGLES	±																	
FINISH	-																	
MATERIAL -	FINISH -	APPLICATION SPEC -	DRAWING NO E00000835	RESTRICTED TO -														
CUSTOMER DRAWING			SCALE NTS	SHEET OF														