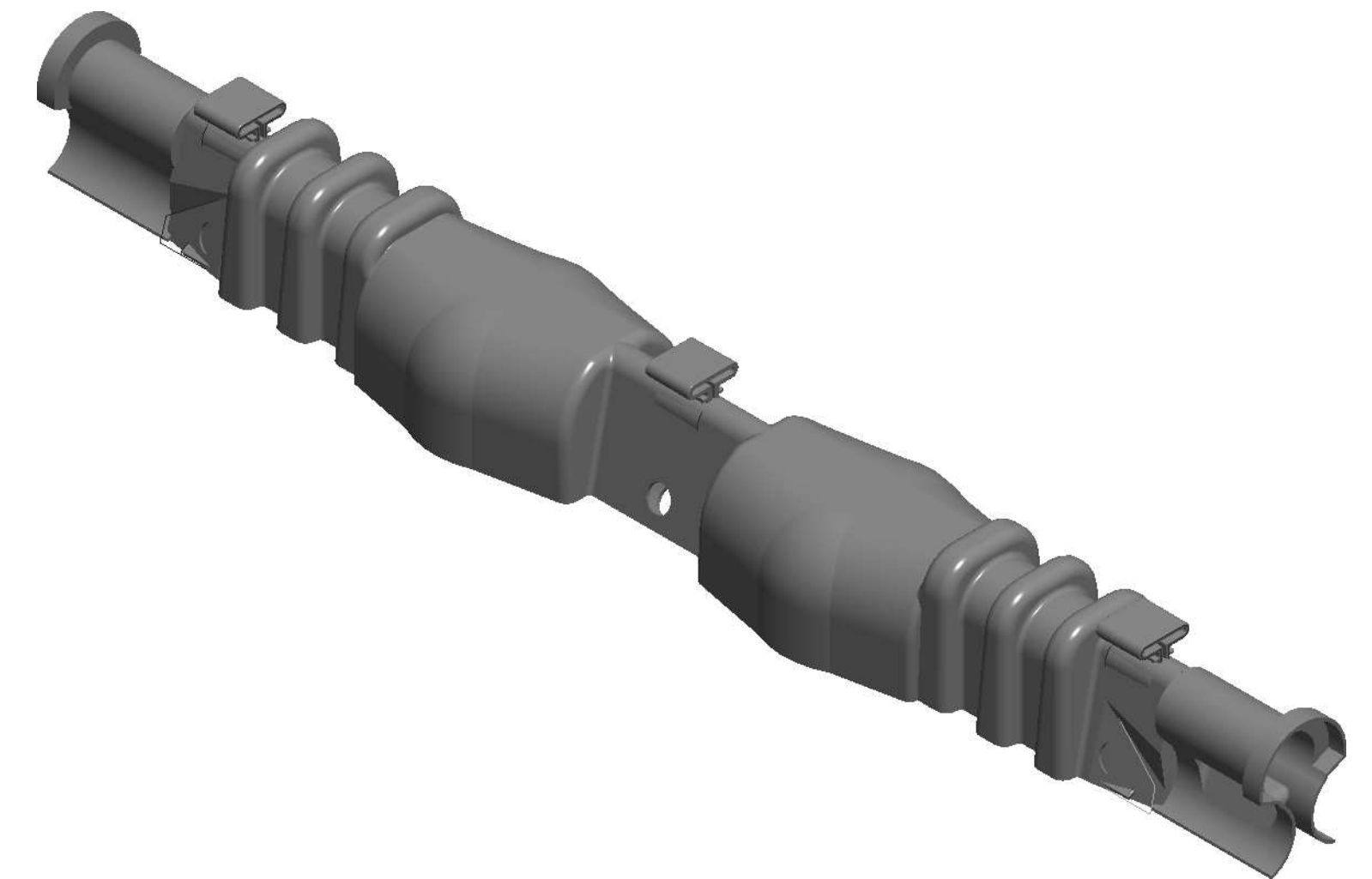
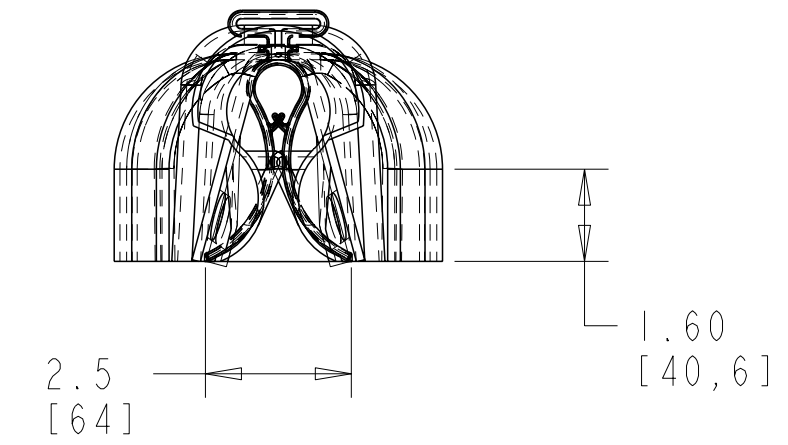
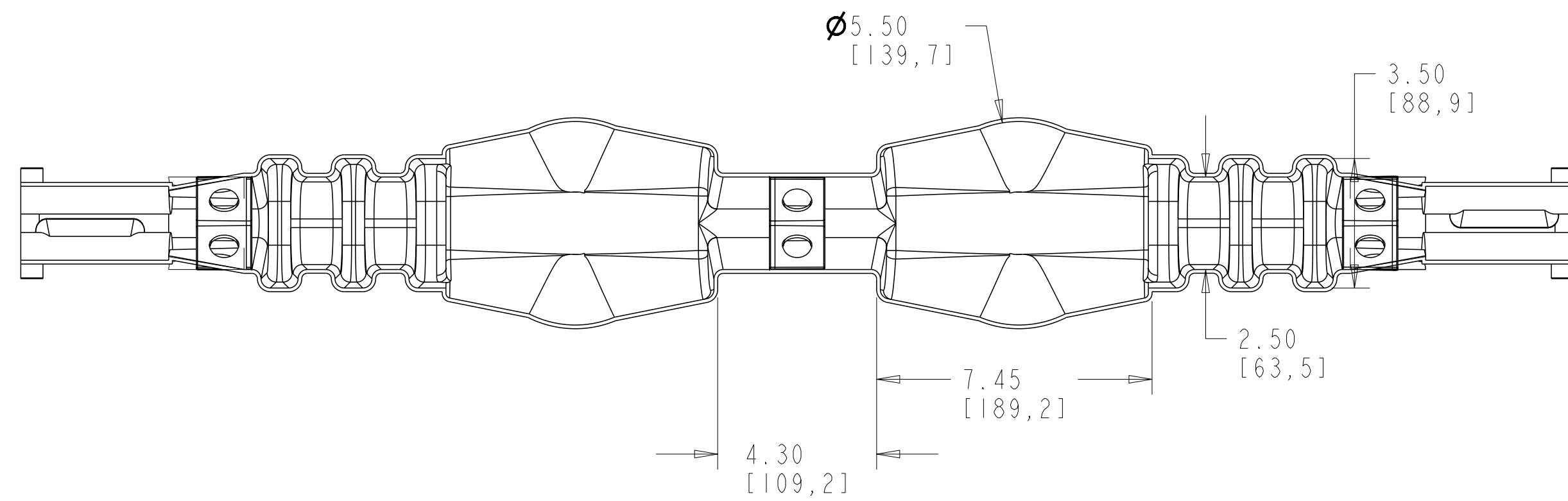
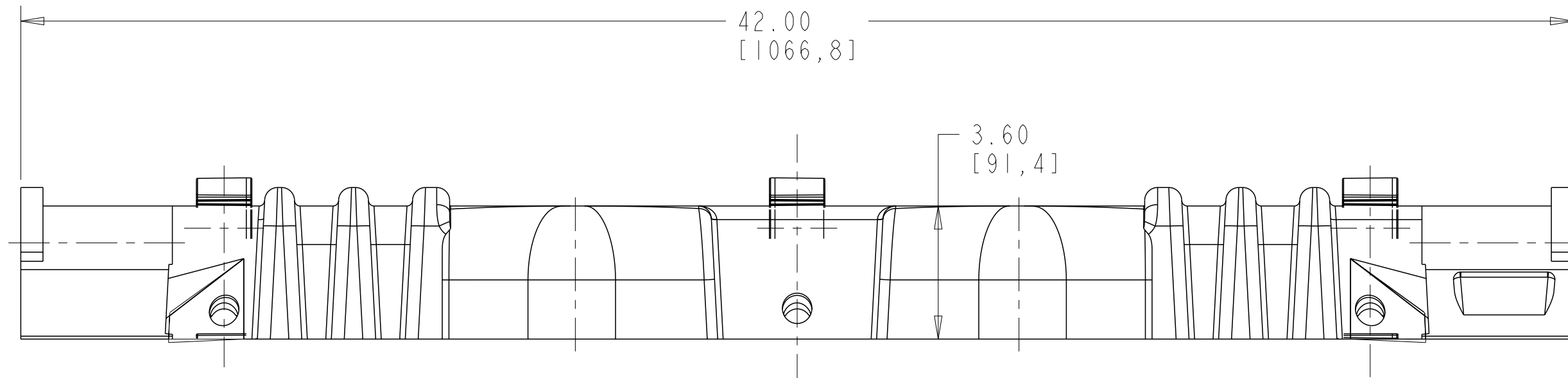


REVISIONS				
P	LTR	DESCRIPTION	DATE	APVD
A		INITIAL RELEASE	18APR2020	AS LH



TCPN	DESCRIPTION
CP7898-000	BCIC-G-DPIN-556-01(B6)
CP8591-000	BCIC-G-DPIN-556-01-24-B6

NOTES:

- PARTS TO BE KITTED 6 PIECES PER BOX.
- PART CP8591-000 SHALL BE KITTED WITH QTY 2 BCIC-G-ARM-24-D, PN E30747-000.
- PARTS SHALL BE KITTED WITH P11-55421
- EACH BOX SHALL BE LABELLED WITH DESCRIPTION, LOT NUMBER, PART NUMBER
MANUFACTURING DATE AND QUANTITY.

THIS DRAWING IS A CONTROLLED DOCUMENT.		DWN A. SABARAD 18APR2020	TE Connectivity																						
DIMENSIONS: INCH(MM)		CHK S. LIGHT 18APR2020																							
TOLERANCES UNLESS OTHERWISE SPECIFIED:		APVD L. HILLER 18APR2020	NAME BCIC-G-DPIN-556-01																						
<table border="0"> <tr> <td>0 PLC</td> <td>±</td> <td>-</td> </tr> <tr> <td>1 PLC</td> <td>±0.1</td> <td></td> </tr> <tr> <td>2 PLC</td> <td>±0.01</td> <td></td> </tr> <tr> <td>3 PLC</td> <td>±0.001</td> <td></td> </tr> <tr> <td>4 PLC</td> <td>±0.0001</td> <td></td> </tr> <tr> <td>ANGLES</td> <td>±</td> <td></td> </tr> <tr> <td>FINISH</td> <td></td> <td></td> </tr> </table>		0 PLC	±	-	1 PLC	±0.1		2 PLC	±0.01		3 PLC	±0.001		4 PLC	±0.0001		ANGLES	±		FINISH			PRODUCT SPEC -	SIZE A2	
0 PLC	±	-																							
1 PLC	±0.1																								
2 PLC	±0.01																								
3 PLC	±0.001																								
4 PLC	±0.0001																								
ANGLES	±																								
FINISH																									
MATERIAL -		APPLICATION SPEC -	CAGE CODE 00779	DRAWING NO E00000838																					
		WEIGHT -	RESTRICTED TO -																						
		CUSTOMER DRAWING	SCALE NTS	SHEET 1 OF 1																					
			REV A																						