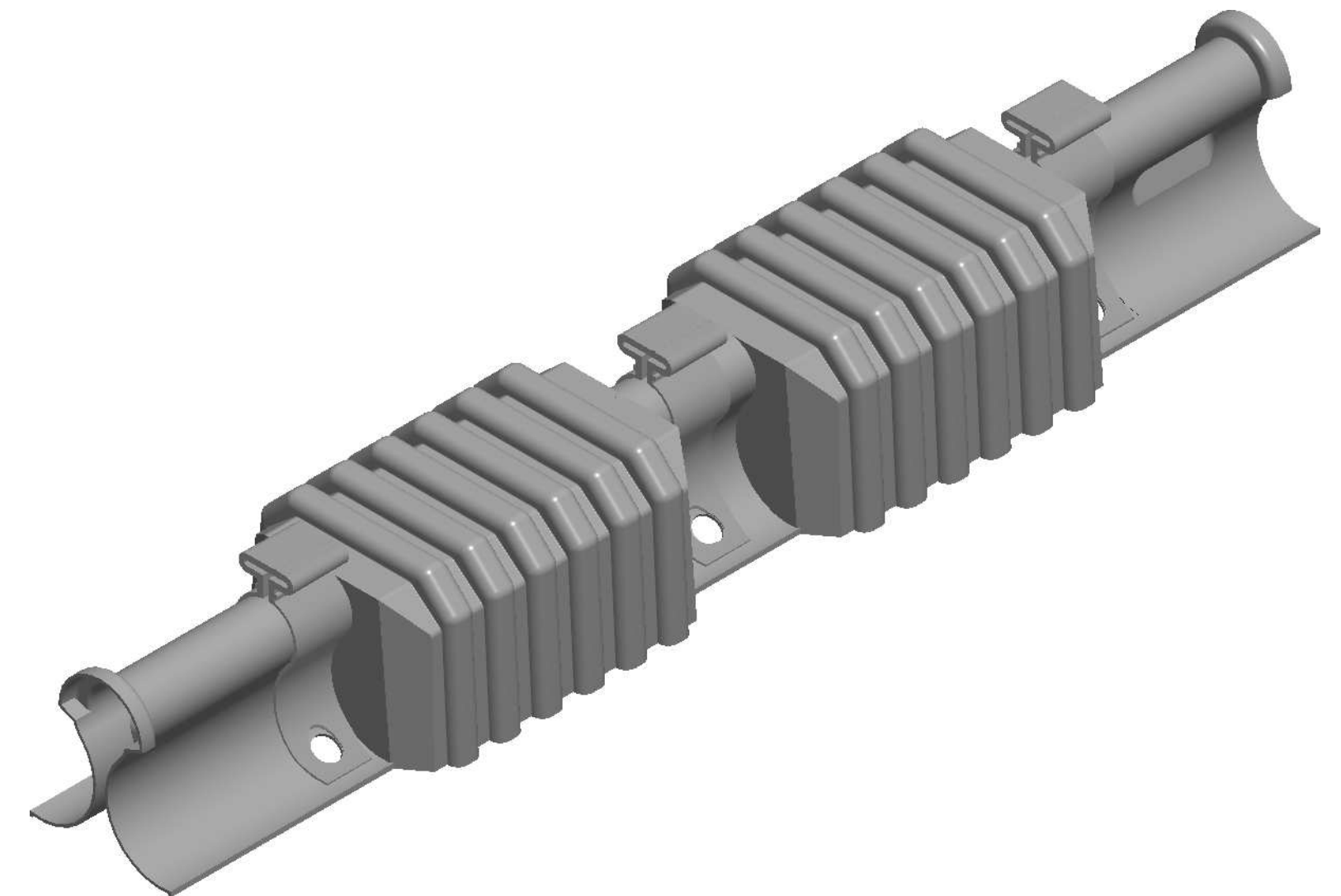
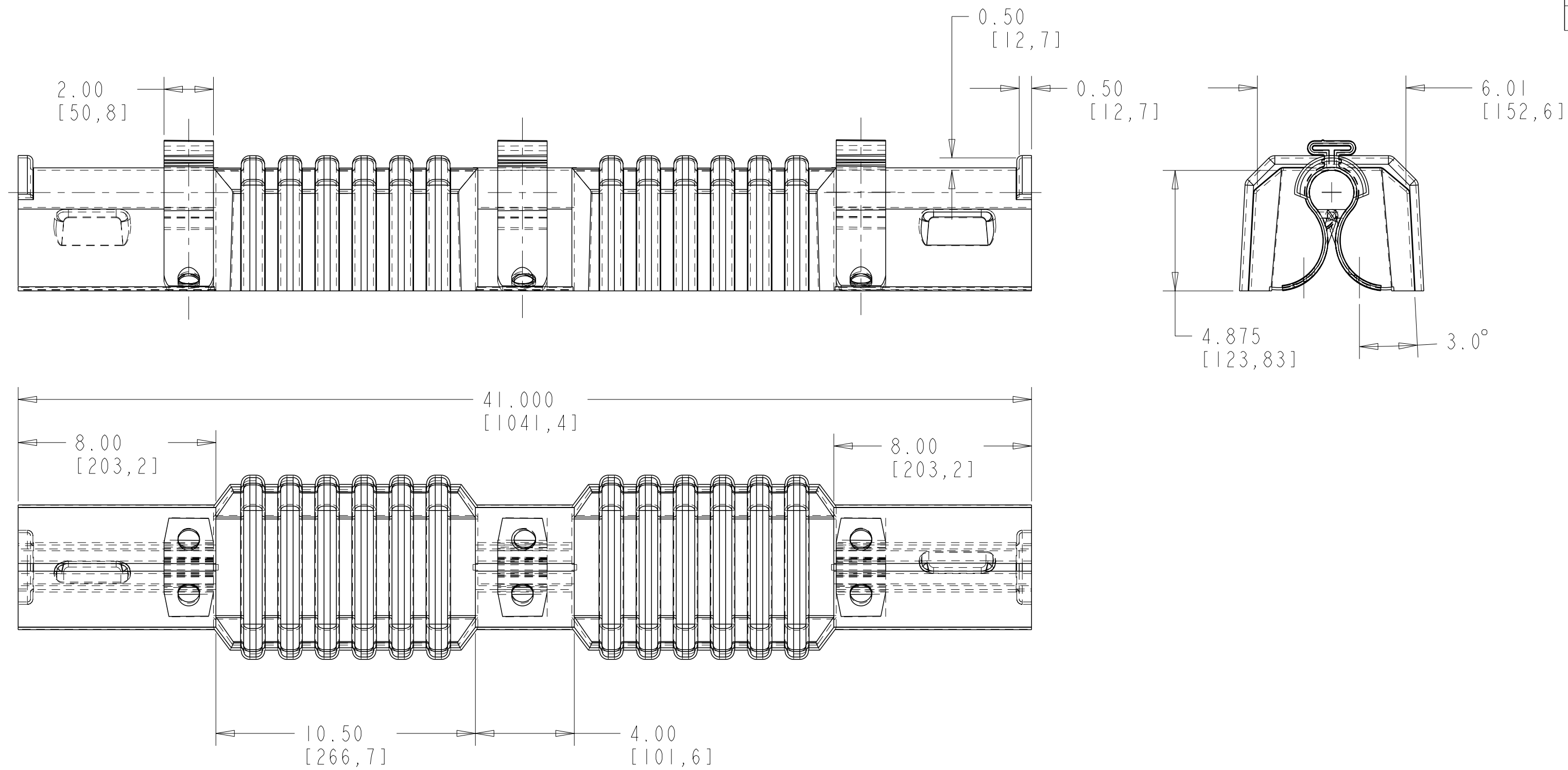


P	LTR	DESCRIPTION	DATE	DWN	APVD
A		INITIAL RELEASE	18APR2020	AS	LH



TCPN	DESCRIPTION	PIECES/BOX
A03221-000	BCIC-G-DPIN-795-01(B6)	6
D53829-000	BCIC-G-DPIN-795-01-24-B3	3

NOTES:

- PART D53829-000 SHALL BE KITTED WITH QTY 2 BCIC-G-ARM-24-D, PN E30747-000.
- EACH BOX SHALL BE LABELLED WITH DESCRIPTION, LOT NUMBER, PART NUMBER MANUFACTURING DATE AND QUANTITY.

THIS DRAWING IS A CONTROLLED DOCUMENT.		DWN A. SABARAD 18APR2020	TE Connectivity																						
DIMENSIONS: INCH(MM)		CHK S. LIGHT 18APR2020																							
TOLERANCES UNLESS OTHERWISE SPECIFIED:		APVD L. HILLER 18APR2020	NAME BCIC-G-DPIN-795-01																						
<table border="0"> <tr> <td>0 PLC</td> <td>±</td> <td>-</td> </tr> <tr> <td>1 PLC</td> <td>±0.1</td> <td>-</td> </tr> <tr> <td>2 PLC</td> <td>±0.01</td> <td>-</td> </tr> <tr> <td>3 PLC</td> <td>±0.001</td> <td>-</td> </tr> <tr> <td>4 PLC</td> <td>±0.0001</td> <td>-</td> </tr> <tr> <td>ANGLES</td> <td>±</td> <td>-</td> </tr> <tr> <td>FINISH</td> <td>-</td> <td>-</td> </tr> </table>		0 PLC	±	-	1 PLC	±0.1	-	2 PLC	±0.01	-	3 PLC	±0.001	-	4 PLC	±0.0001	-	ANGLES	±	-	FINISH	-	-	PRODUCT SPEC	SIZE A2	
0 PLC	±	-																							
1 PLC	±0.1	-																							
2 PLC	±0.01	-																							
3 PLC	±0.001	-																							
4 PLC	±0.0001	-																							
ANGLES	±	-																							
FINISH	-	-																							
MATERIAL		APPLICATION SPEC	CAGE CODE 00779	DRAWING NO E00000839																					
		WEIGHT	RESTRICTED TO																						
		CUSTOMER DRAWING	SCALE NTS	SHEET 1 OF 1																					
			REV A																						