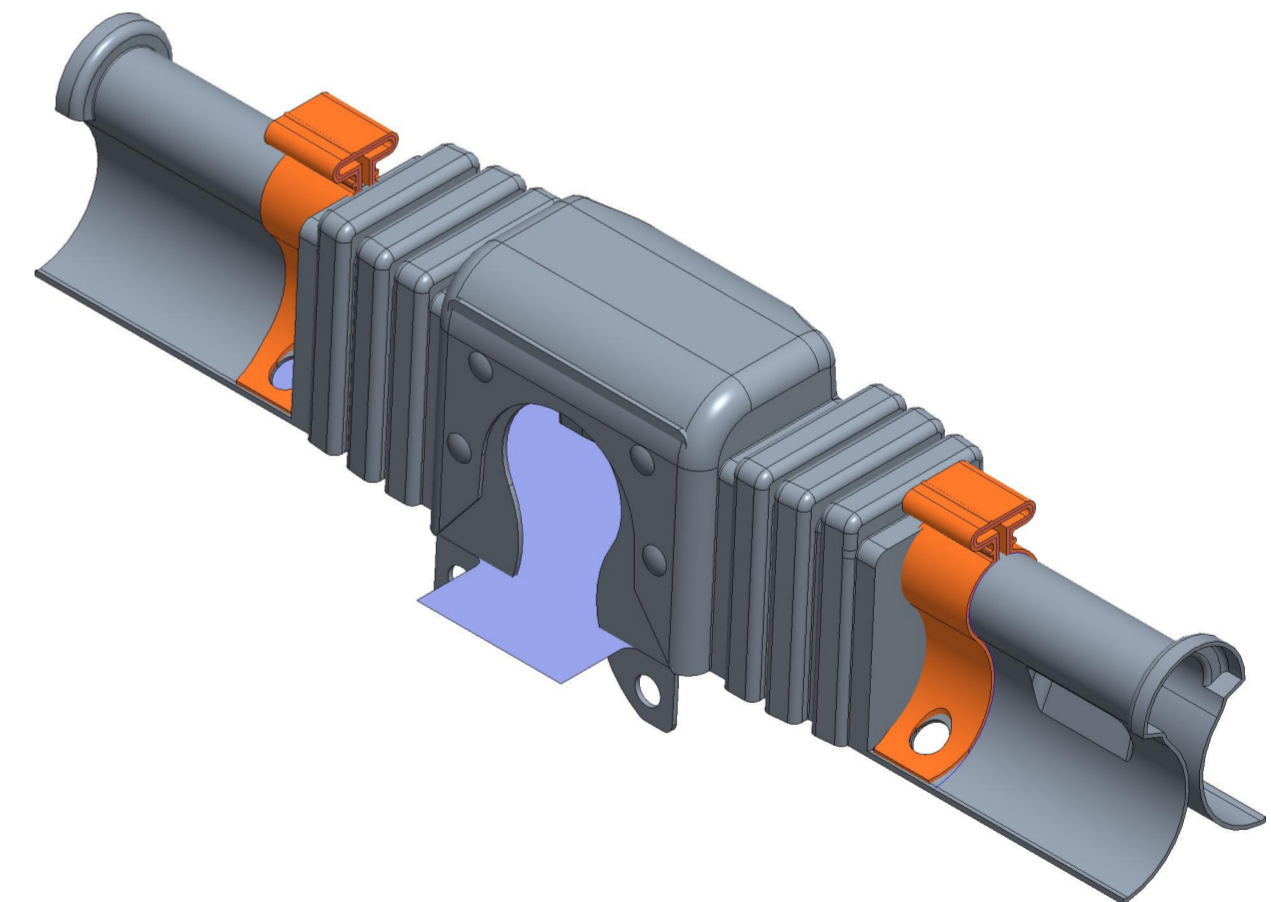
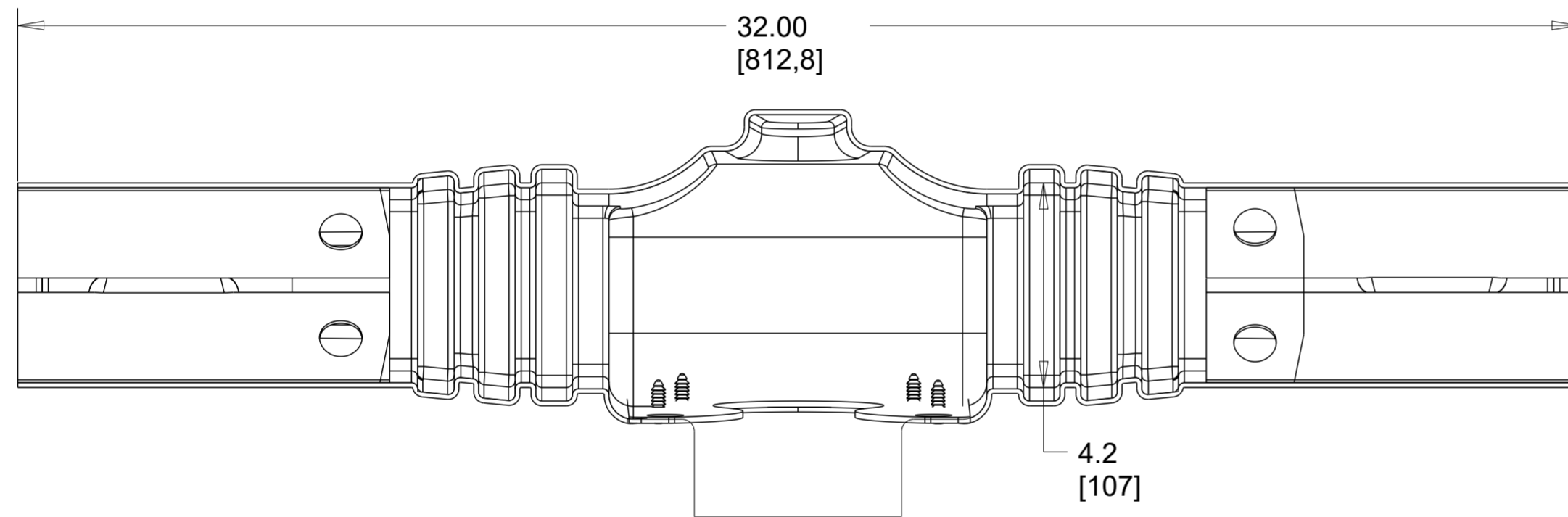
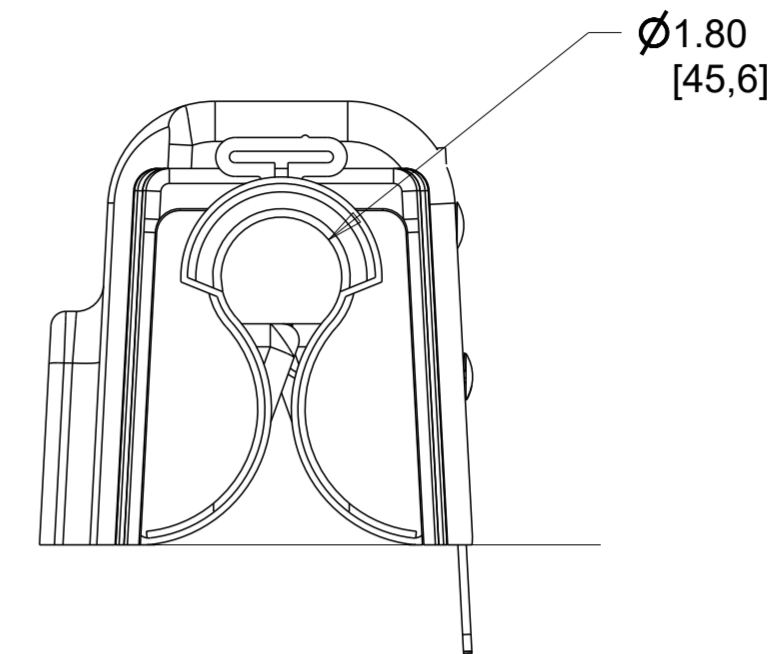
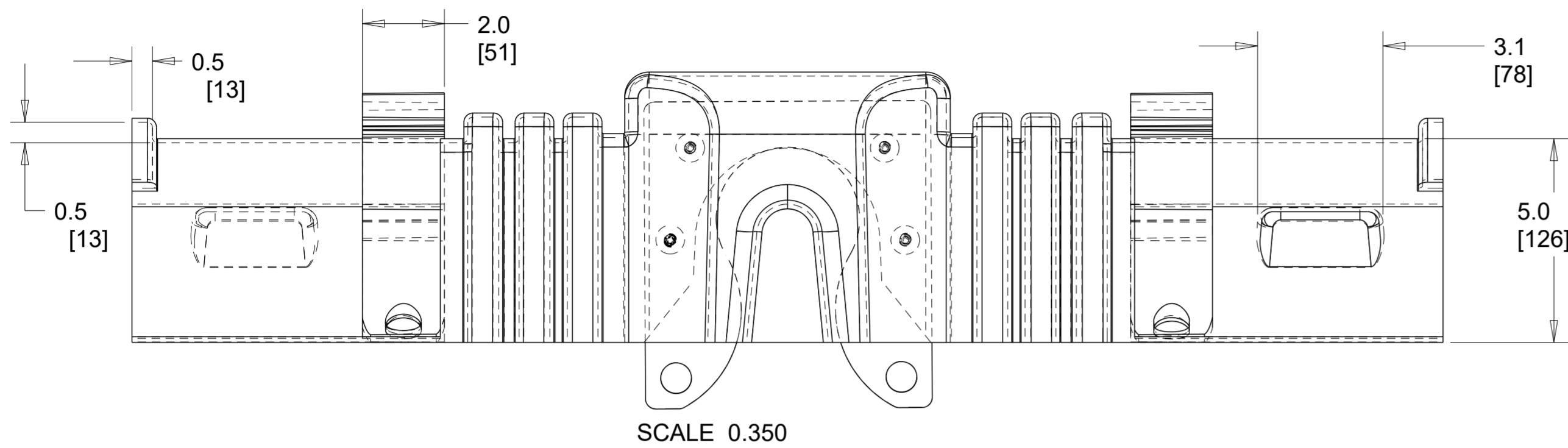


REVISIONS					
P	LTR	DESCRIPTION	DATE	DWN	APVD
A		INITIAL RELEASE	11APR2020	AS	LH



NOTES:

1. PARTS SHALL BE KITTED 6 PIECES PER BOX.
2. EACH BOX SHALL BE LABELLED WITH DESCRIPTION, LOT NUMBER, PART NUMBER, MANUFACTURING DATE AND QUANTITY

TCPN
CP4638-000

THIS DRAWING IS A CONTROLLED DOCUMENT.		DWN A. SABARAD 11APR2020				
DIMENSIONS: INCH(MM)		CHK S. LIGHT 11APR2020				
TOLERANCES UNLESS OTHERWISE SPECIFIED:		APVD L. HILLER 11APR2020	NAME BCIC-G-HZPOR/3.5D-795-B6			
0 PLC ±	1 PLC ±0.1	PRODUCT SPEC	SIZE	CAGE CODE	DRAWING NO	RESTRICTED TO
2 PLC ±0.01	3 PLC ±0.001	APPLICATION SPEC	A2	00779	C-E00000843	-
4 PLC ±0.0001	ANGLES ±	WEIGHT	SCALE NTS		SHEET 1 OF 1	REV A
MATERIAL	FINISH	CUSTOMER DRAWING				