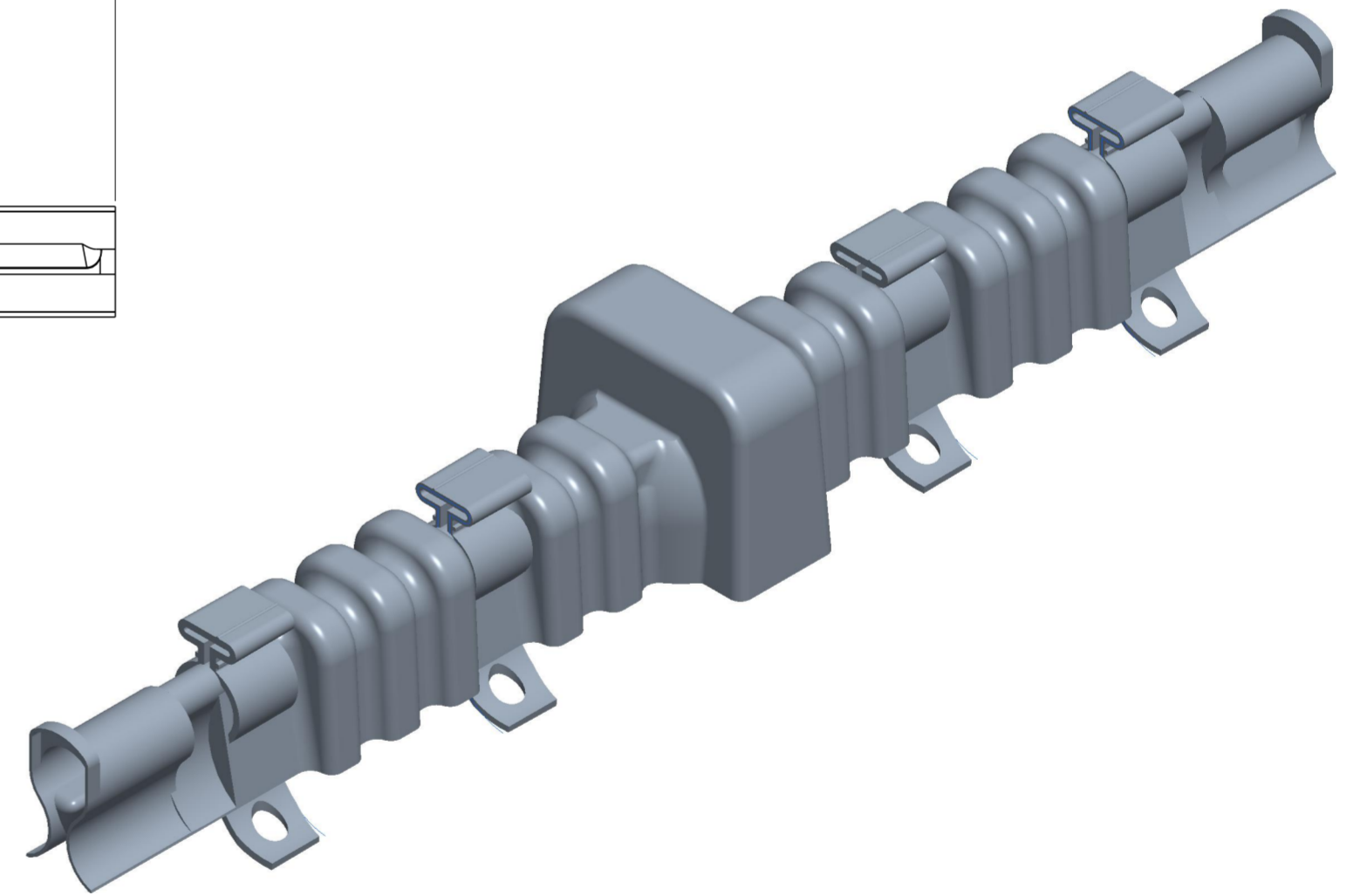
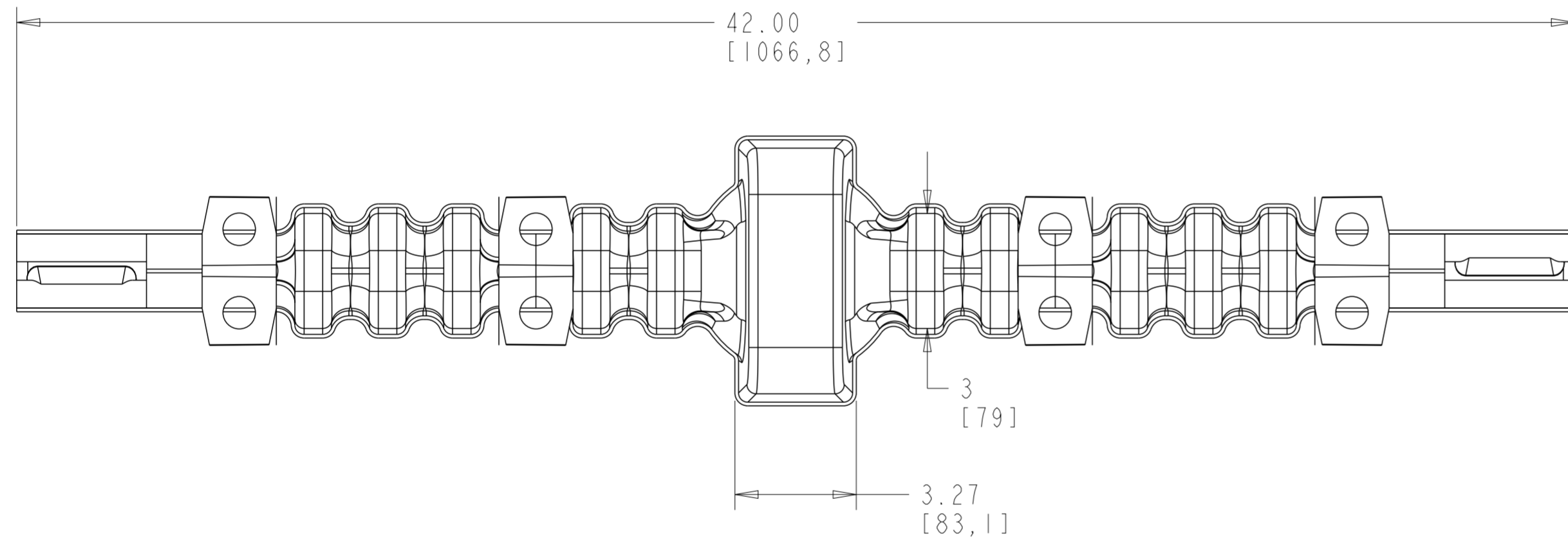
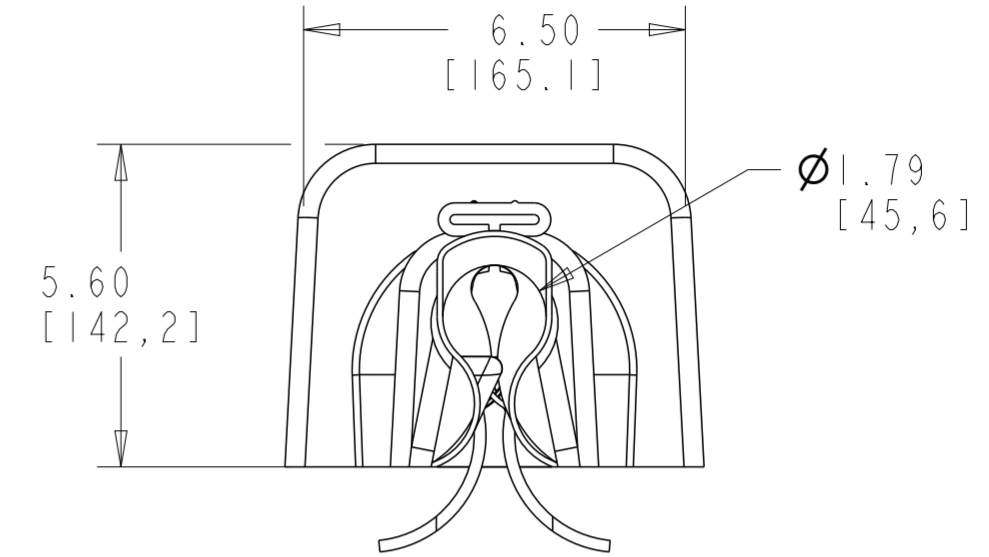
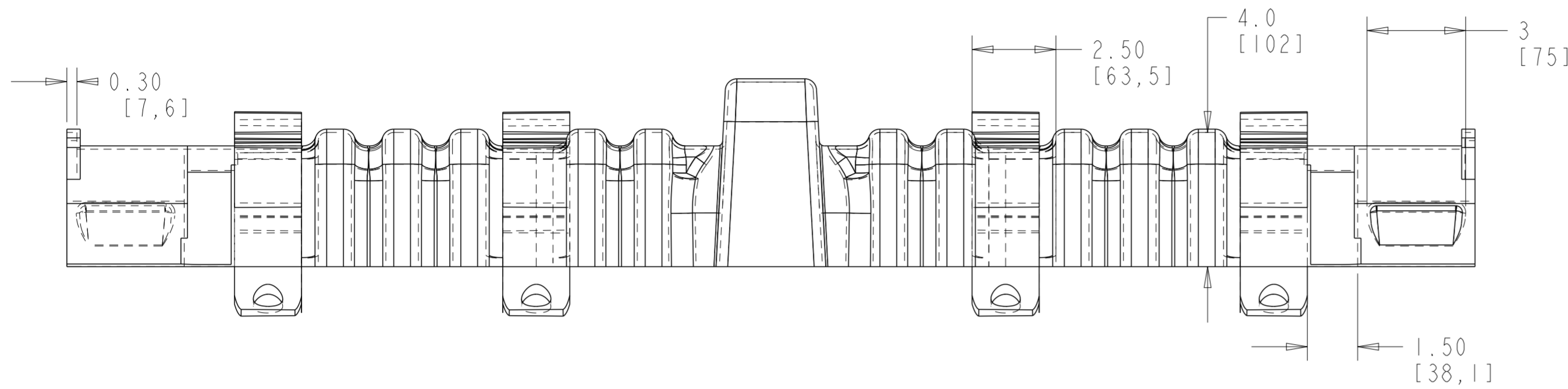


P	LTR	DESCRIPTION	DATE	DWN	APVD
A		INITIAL RELEASE	30MAY2020	AS	LH
AI		REV. PER ECN-24-273738	03MAY2024	SP	LH



NOTES:

- PARTS SHALL BE KITTED 6 PIECES PER BOX.
- EACH BOX SHALL BE LABELLED WITH DESCRIPTION, LOT NUMBER, PART NUMBER, MANUFACTURING DATE AND QUANTITY

TCPN	DESCRIPTION	MATERIAL
CU6002-000	BCIC-G-PIN/CT-795-01(B6)	TE STANDARD GRAY
ES3169-000	BCIC+G-PIN/CT-795-01(B6)	TE STANDARD GRAY VO

THIS DRAWING IS A CONTROLLED DOCUMENT.		DWN A. SABARAD 30MAY2020	TE Connectivity	
DIMENSIONS: INCH(MM)		CHK S. LIGHT 30MAY2020		
TOLERANCES UNLESS OTHERWISE SPECIFIED:		APVD L. HILLER 30MAY2020	NAME BCIC-G-PIN/CT-795-01(B6)	
0 PLC ±-		PRODUCT SPEC	SIZE	
1 PLC ±0.1		APPLICATION SPEC	CAGE CODE	
2 PLC ±0.01		WEIGHT	DRAWING NO	
3 PLC ±0.001		MATERIAL	RESTRICTED TO	
4 PLC ±0.0001		FINISH	SCALE	
ANGLES ±		A2 00779 C-E00000845		
FINISH		CUSTOMER DRAWING		
		SHEET OF		
		REV AI		