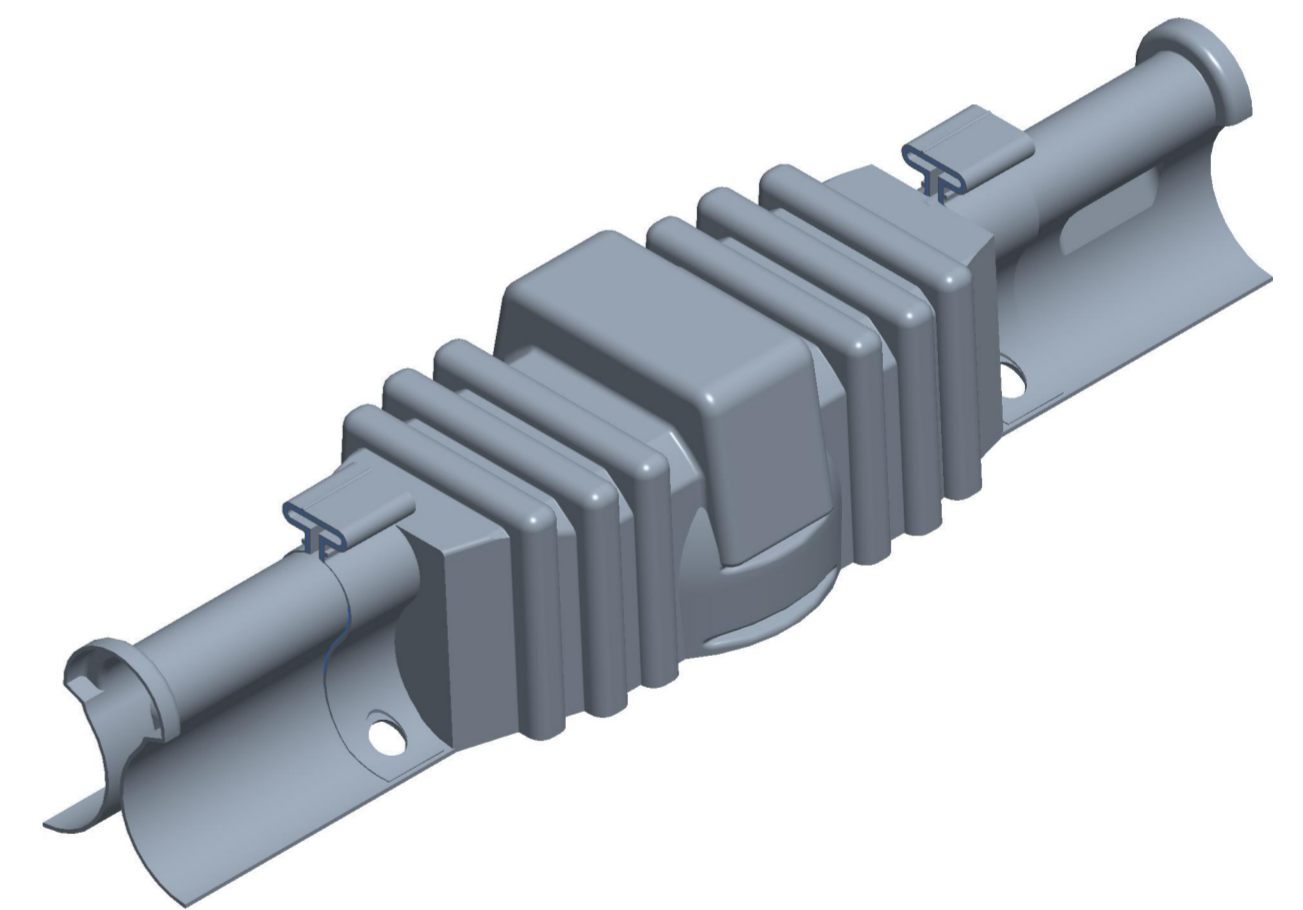
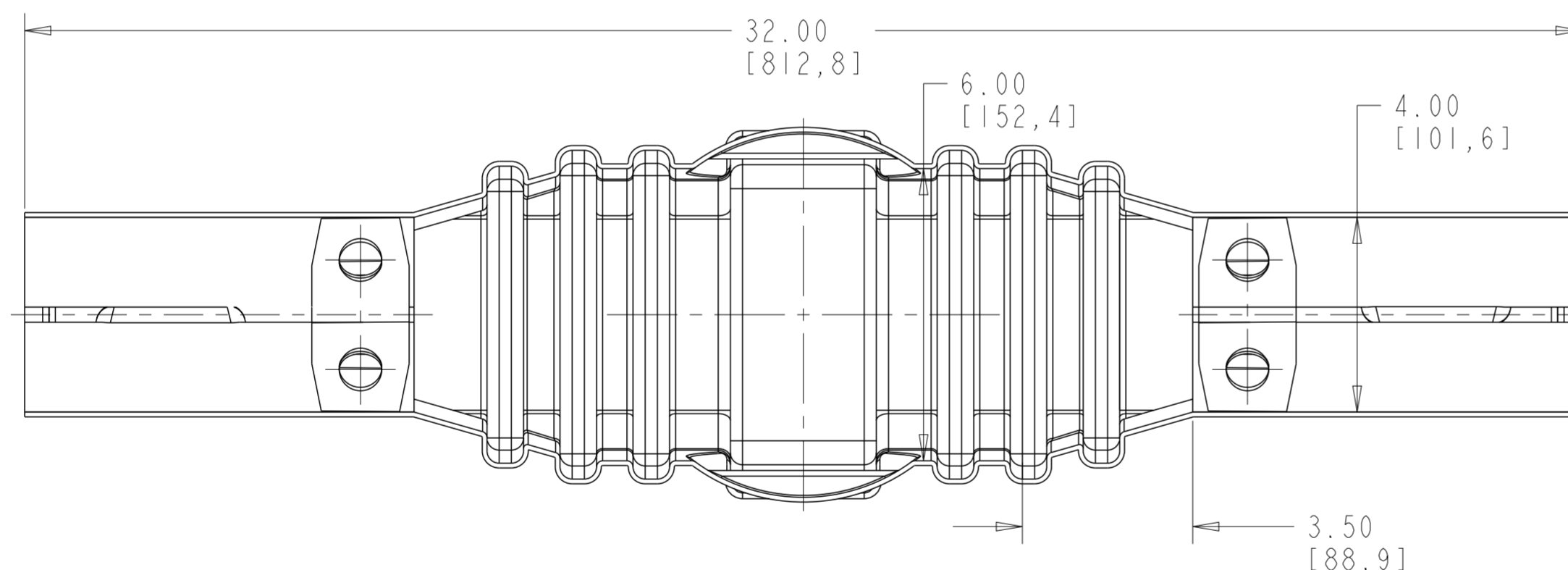
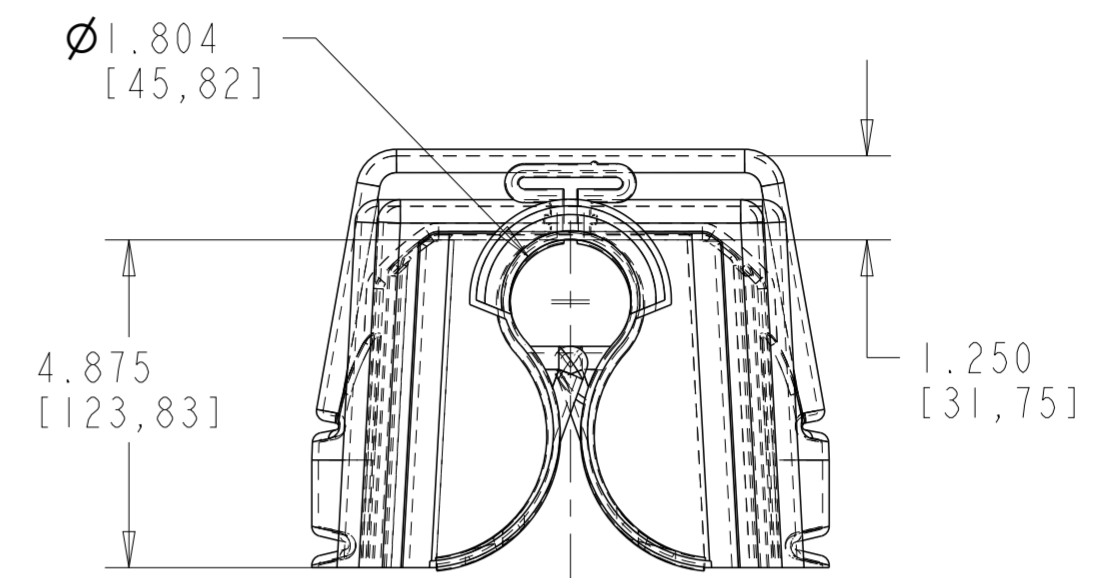
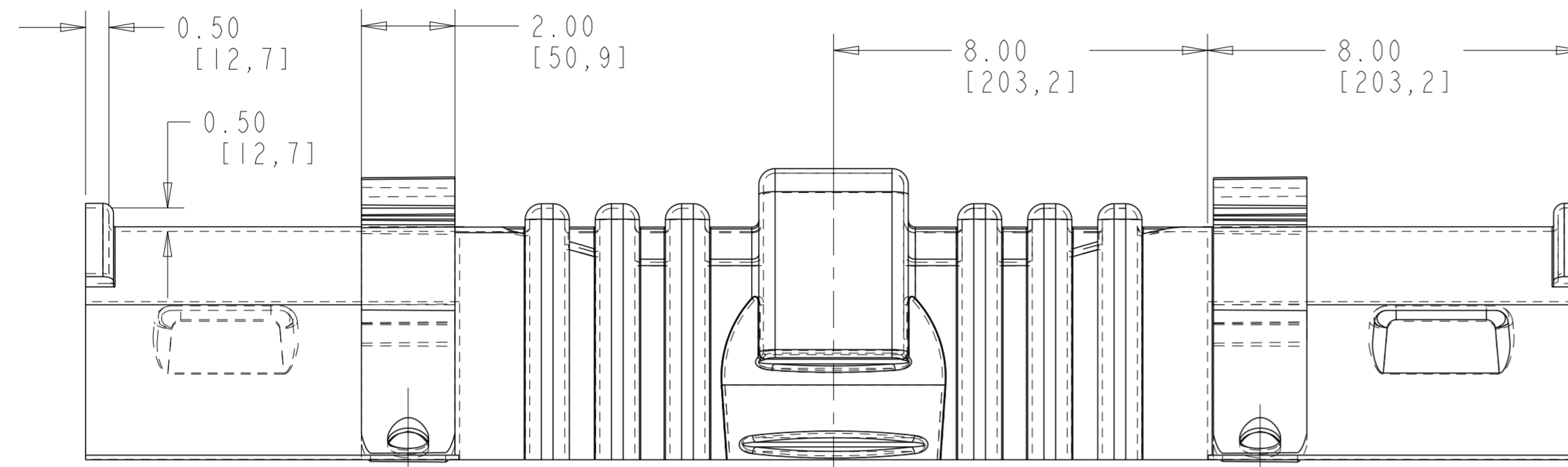


REVISIONS					
P	LTR	DESCRIPTION	DATE	DWN	APVD
A		INITIAL RELEASE	18APR2020	AS	LH
AI		REV. PER ECN-24-273738	03MAY2024	SP	LH



NOTES:

- PART C60779-000 SHALL BE KITTED WITH QTY 2 BCIC-G-ARM-24-D, PN E30747-000.
- PART SHALL BE KITTED WITH P11-55421
- EACH BOX SHALL BE LABELLED WITH DESCRIPTION, LOT NUMBER, PART NUMBER MANUFACTURING DATE AND QUANTITY.

TCPN	DESCRIPTION	PIECES/BOX	MATERIAL
E42704-000	BCIC-G-PIN-795-01(B6)	6	TE STANDARD GRAY
C60779-000	BCIC-G-PIN-795-01-24(B3)	3	TE STANDARD GRAY
ES3168-000	BCIC+G-PIN-795-01(B6)	6	TE STANDARD GRAY VO

THIS DRAWING IS A CONTROLLED DOCUMENT.		DWN A. SABARAD 18APR2020	TE Connectivity	
DIMENSIONS: INCH(MM)		CHK S. LIGHT 18APR2020		
TOLERANCES UNLESS OTHERWISE SPECIFIED:		APVD L. HILLER 18APR2020	NAME BCIC-G-PIN-795-01	
0 PLC ± 1 PLC ±0.1 2 PLC ±0.01 3 PLC ±0.001 4 PLC ±0.0001 ANGLES ± FINISH		PRODUCT SPEC -	SIZE A2	
MATERIAL -		APPLICATION SPEC -	CAGE CODE 00779	DRAWING NO E00000848
-		WEIGHT -	RESTRICTED TO -	SCALE NTS
-		CUSTOMER DRAWING	SHEET 1	REV AI