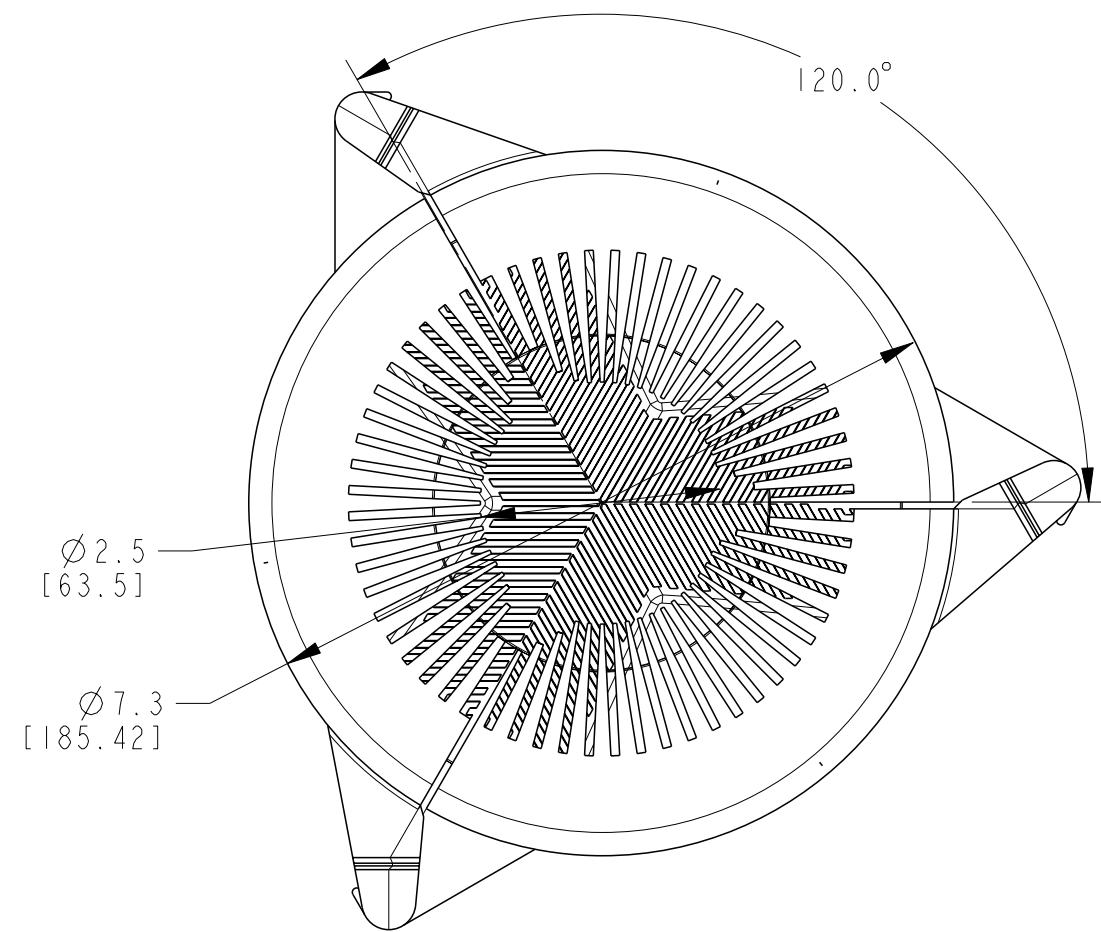
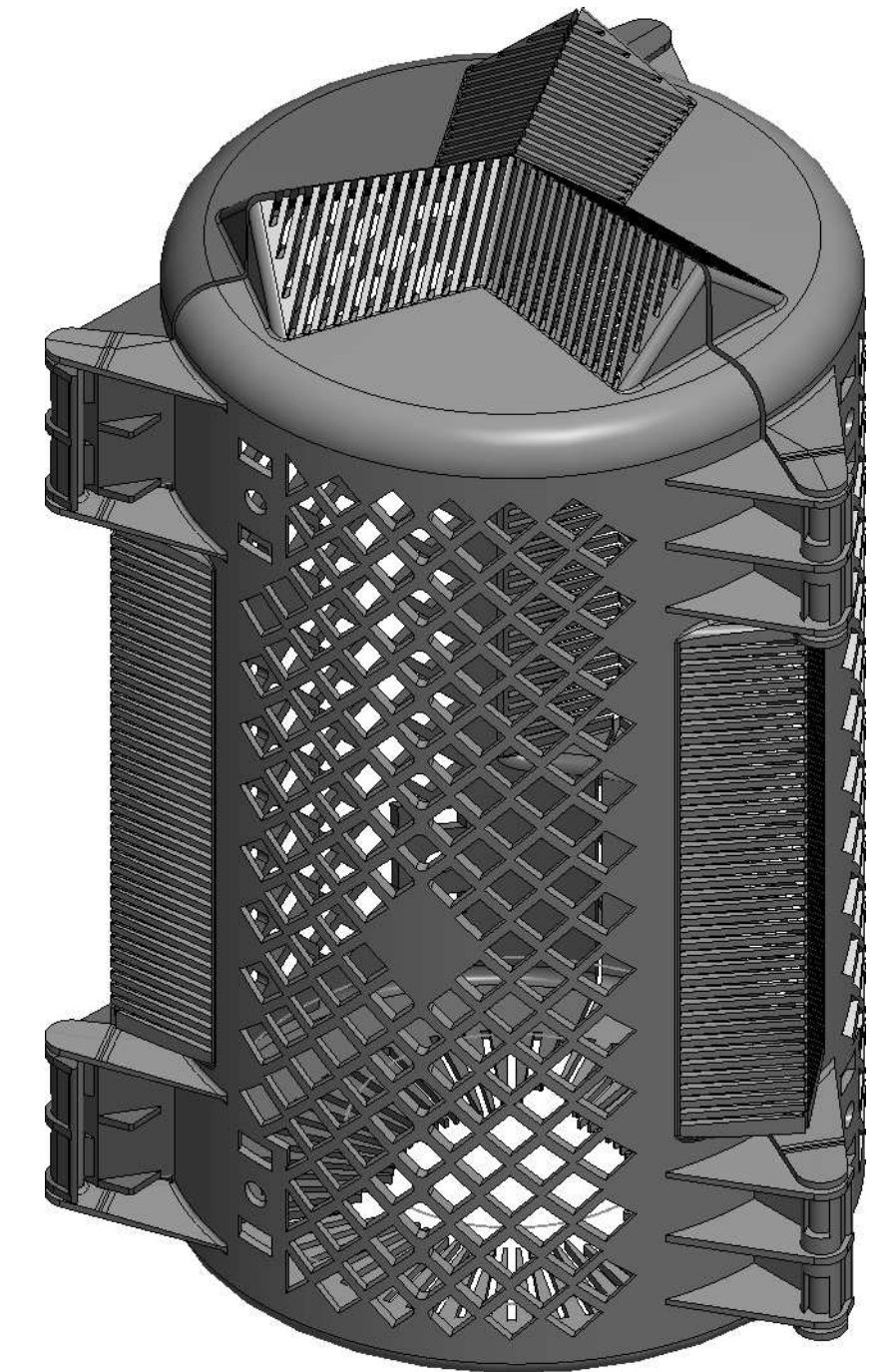
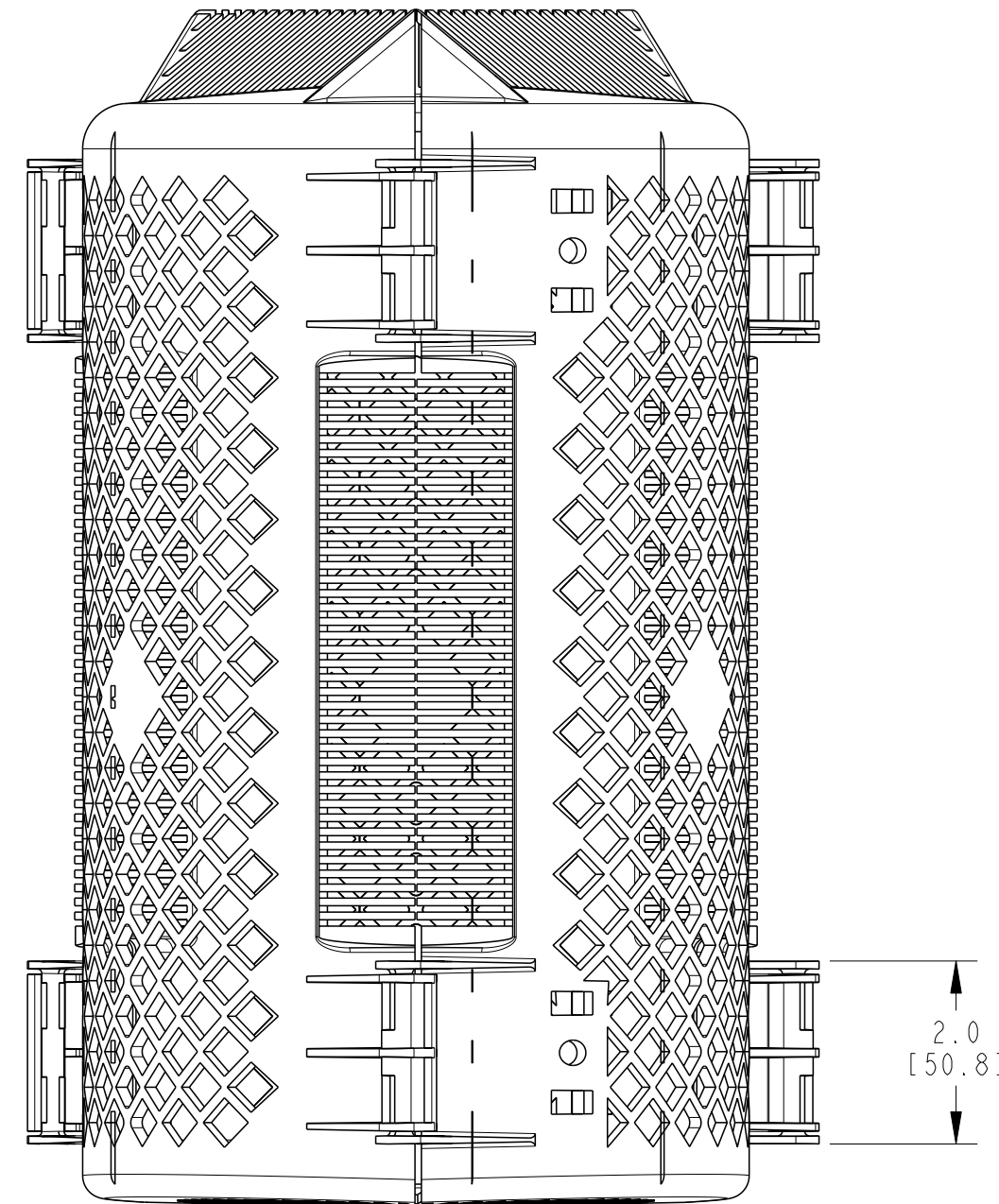
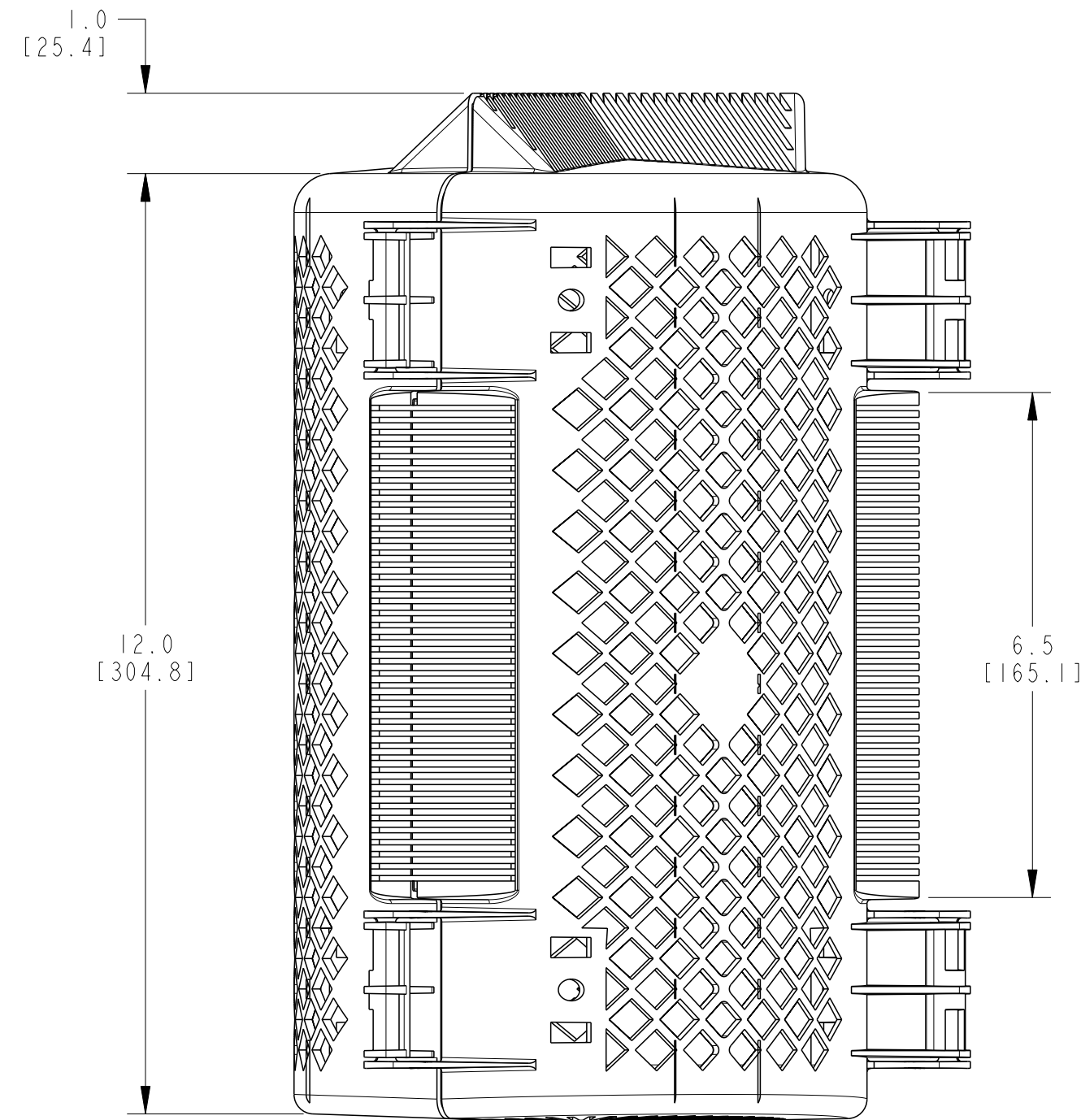


REVISIONS					
P	LTR	DESCRIPTION	DATE	DWN	APVD
A		INITIAL RELEASE	19MAY2020	AS	LH
B		TYPO CORRECTION	24NOV2022	HM	LH
BI		REV. PER ECR-23-179214	27JUN2023	HM	LH



NOTES:

- PARTS ARE KITTED 6 ASSEMBLIES PER BOX. EACH ASSEMBLY CONSISTS OF 3 PIECES SNAPPED TOGETHER IN TWO PLACES. P11-56104 ALSO INCLUDED.
- EACH BOX SHALL BE LABELLED WITH DESCRIPTION, LOT NUMBER, PART NUMBER, MANUFACTURING DATE AND QUANTITY.

TCPN	DESCRIPTION
CS7743-000	BCAC-G-1C-7D/12(B6)
CS7744-000	BCAC-1C-7D/12(B6)
EP8394-000	BCAC-P-1C-7D/12(B6)

THIS DRAWING IS A CONTROLLED DOCUMENT.		DWN	19MAY2020														
DIMENSIONS: INCH[MM]		CHK	A. SABARAD 19MAY2020														
TOLERANCES UNLESS OTHERWISE SPECIFIED:		CHK	S. LIGHT 19MAY2020														
<table border="1"> <tr><td>0 PLC</td><td>±</td></tr> <tr><td>1 PLC</td><td>±</td></tr> <tr><td>2 PLC</td><td>±</td></tr> <tr><td>3 PLC</td><td>±</td></tr> <tr><td>4 PLC</td><td>±</td></tr> <tr><td>ANGLES</td><td>±</td></tr> <tr><td>FINISH</td><td></td></tr> </table>		0 PLC	±			1 PLC	±	2 PLC	±	3 PLC	±	4 PLC	±	ANGLES	±	FINISH	
0 PLC	±																
1 PLC	±																
2 PLC	±																
3 PLC	±																
4 PLC	±																
ANGLES	±																
FINISH																	
MATERIAL		PRODUCT SPEC		NAME	BCAC-G-1C-7D/12 BCAC-1C-7D/12												
		APPLICATION SPEC		SIZE	A2												
		WEIGHT		CAGE CODE	00779												
		CUSTOMER DRAWING		DRAWING NO	C-E00000881												
				RESTRICTED TO	-												
				SCALE	NTS												
				SHEET	1 OF 1												
				REV	BI												

Printed on 27 Jun 2023 13:44 (India Standard Time) from TE397707