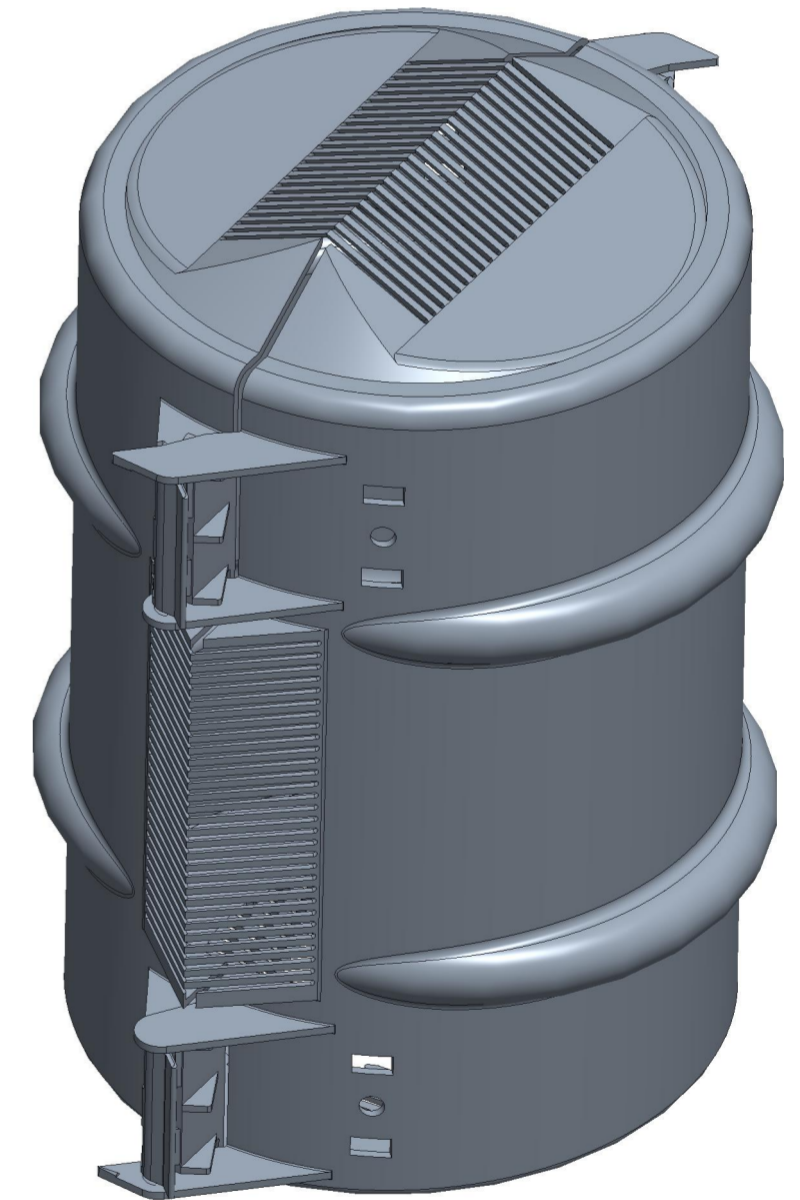
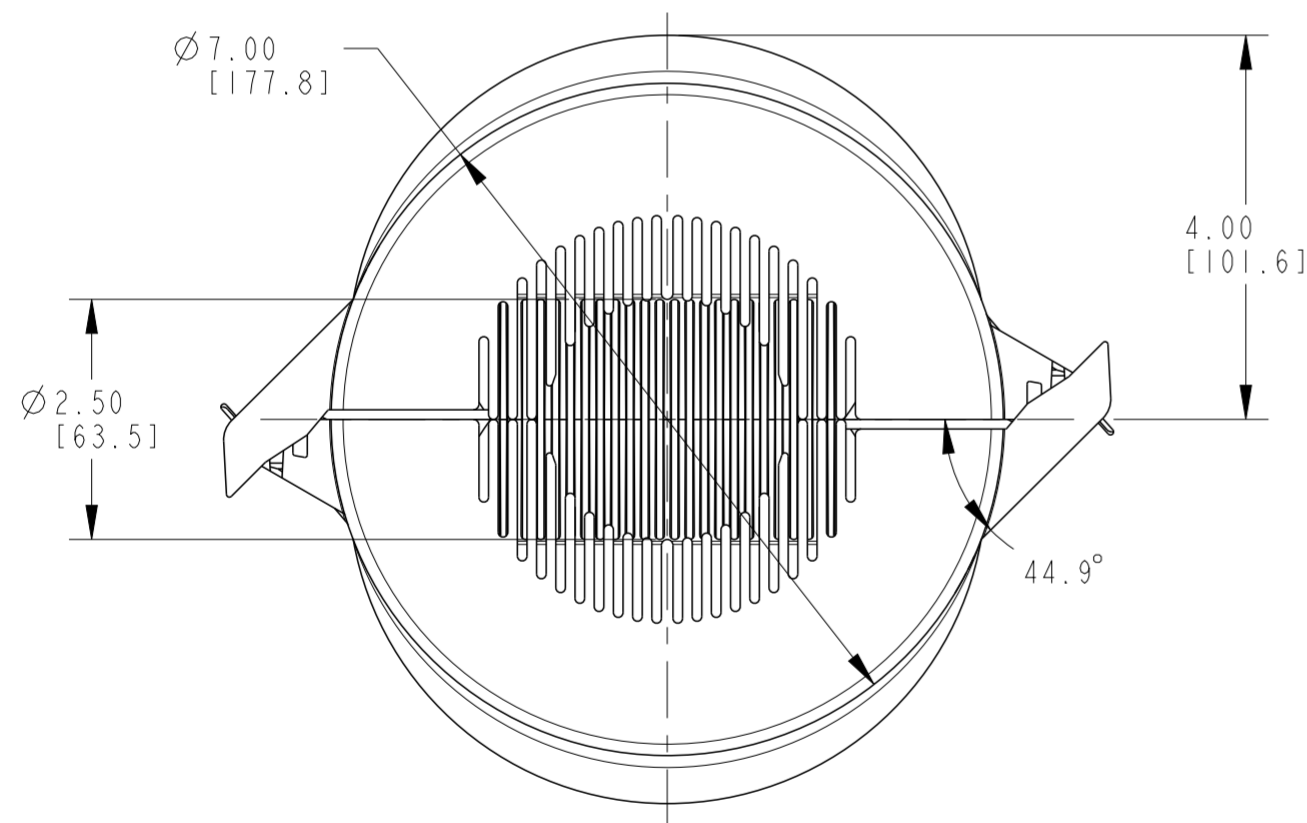
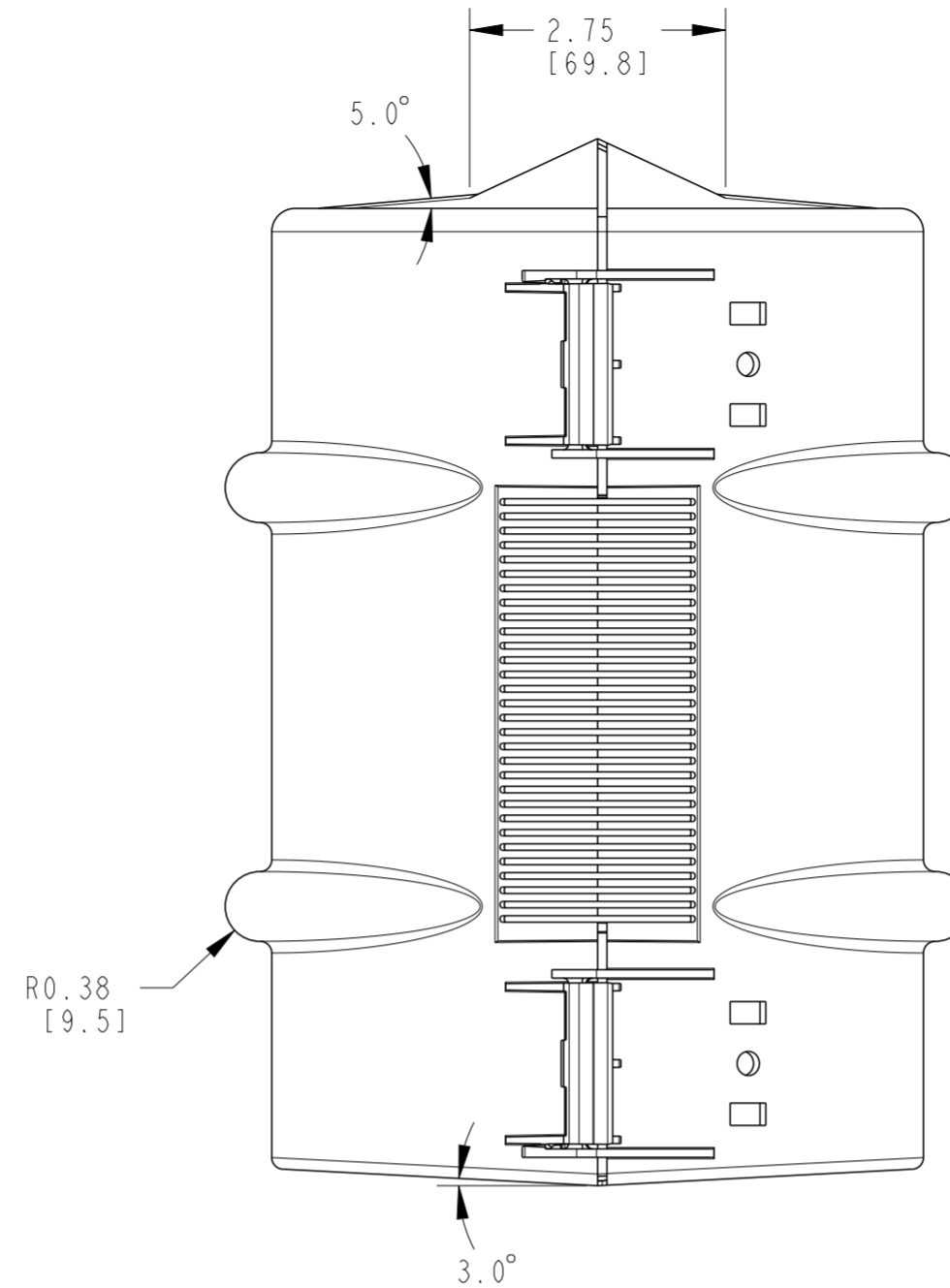
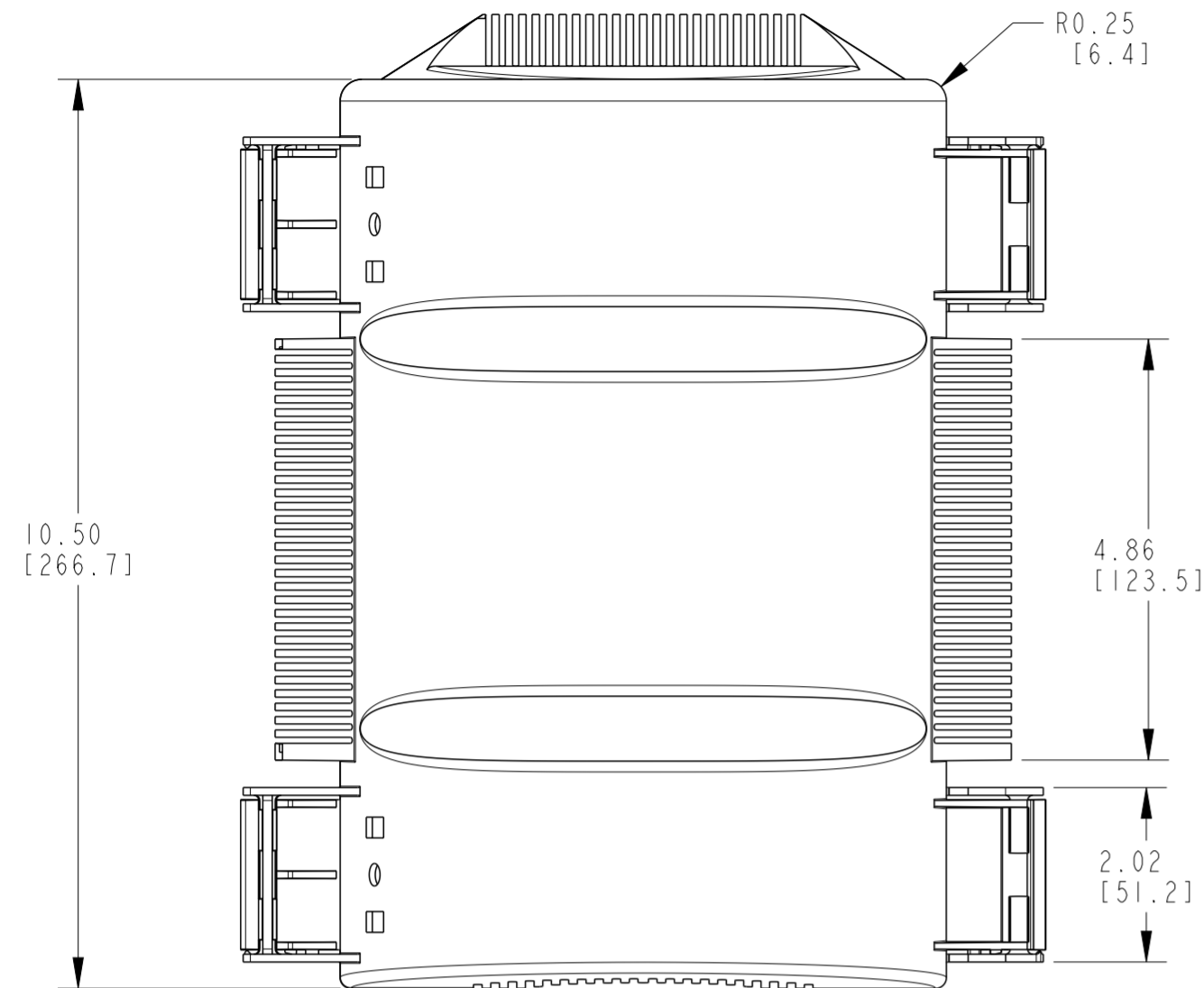


REVISIONS					
P	LTR	DESCRIPTION	DATE	DWN	APVD
A		INITIAL RELEASE	27MAY2020	AS	LH
A1		REV. PER ECR-23-179214	22JUN2023	HM	LH
A2		REV. PER ECR-24-206030	19MAR2024	MT	LH



NOTES:

- PARTS SHALL BE KITTED WITH P11-55467 1 PC
- PARTS SHALL BE KITTED WITH 127252-000 BOLT-1/4-20X1/2-BLK-UV 12 PC
- PARTS SHALL BE KITTED WITH 218852-000 NUT-1/4-20-HEX-BLK-UVNYL 12 PC
- PARTS SHALL BE KITTED WITH C53932-000 BCAC-GA-01-A 12 PC,
- EACH KIT PACKED WITH 12 HALVES.
- EACH BOX SHALL BE LABELLED WITH DESCRIPTION, LOT NUMBER, PART NUMBER, MANUFACTURING DATE AND QUANTITY.

TCPN	DESCRIPTION	MATERIAL
CJ4410-000	BCAC-7D/10-01(B6)	TE STANDARD RED
CJ4407-000	BCAC-G-7D/10-01(B6)	TE STANDARD GRAY

THIS DRAWING IS A CONTROLLED DOCUMENT.		DWN A. SABARAD 27MAY2020		
DIMENSIONS: INCH(MM)		CHK S. LIGHT 27MAY2020		
TOLERANCES UNLESS OTHERWISE SPECIFIED:		APVD L. HILLER 27MAY2020	NAME BCAC-7D/10-01 BCAC-G-7D/10-01	
		PRODUCT SPEC	SIZE A2	
MATERIAL		APPLICATION SPEC	CAGE CODE 00779	DRAWING NO E00000889
WEIGHT		CUSTOMER DRAWING	RESTRICTED TO	REV A2
FINISH		SCALE NTS	SHEET 1	OF 1