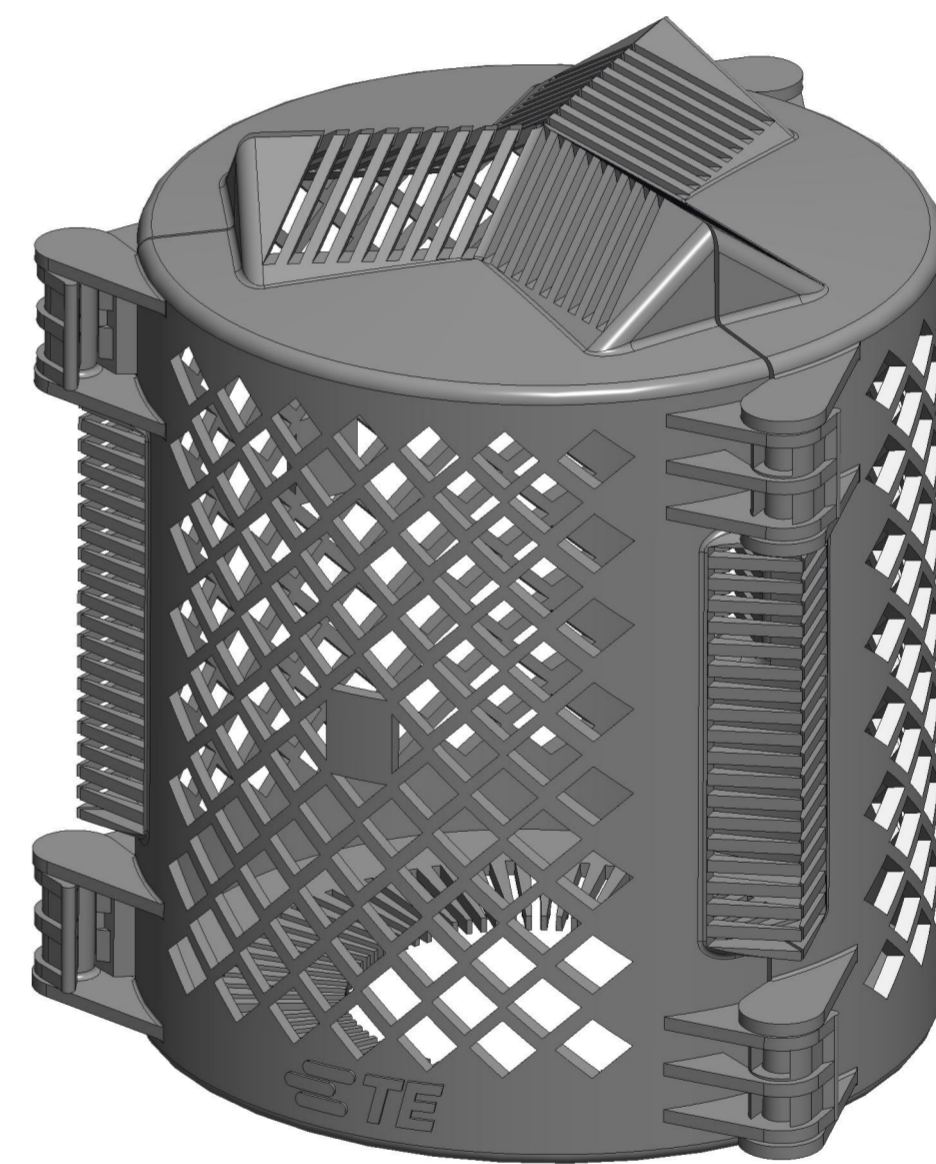
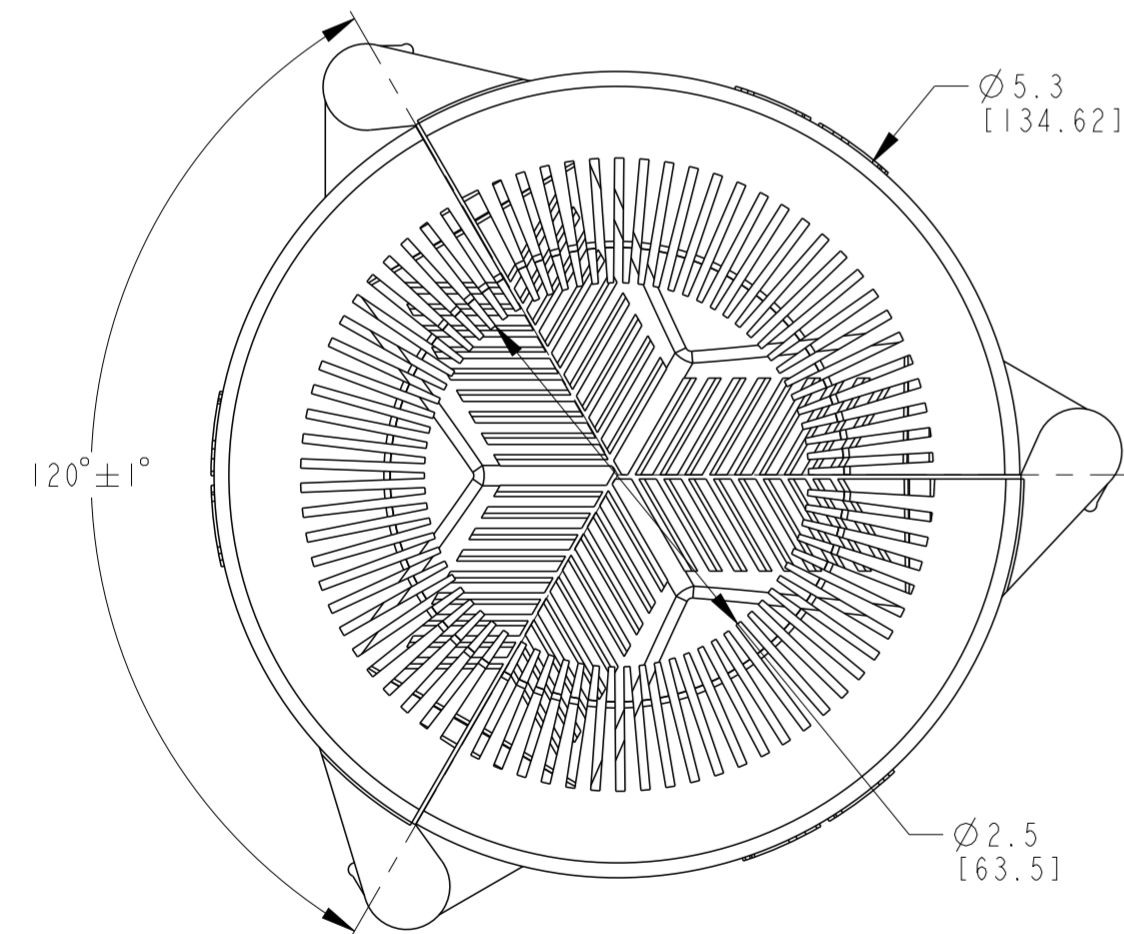
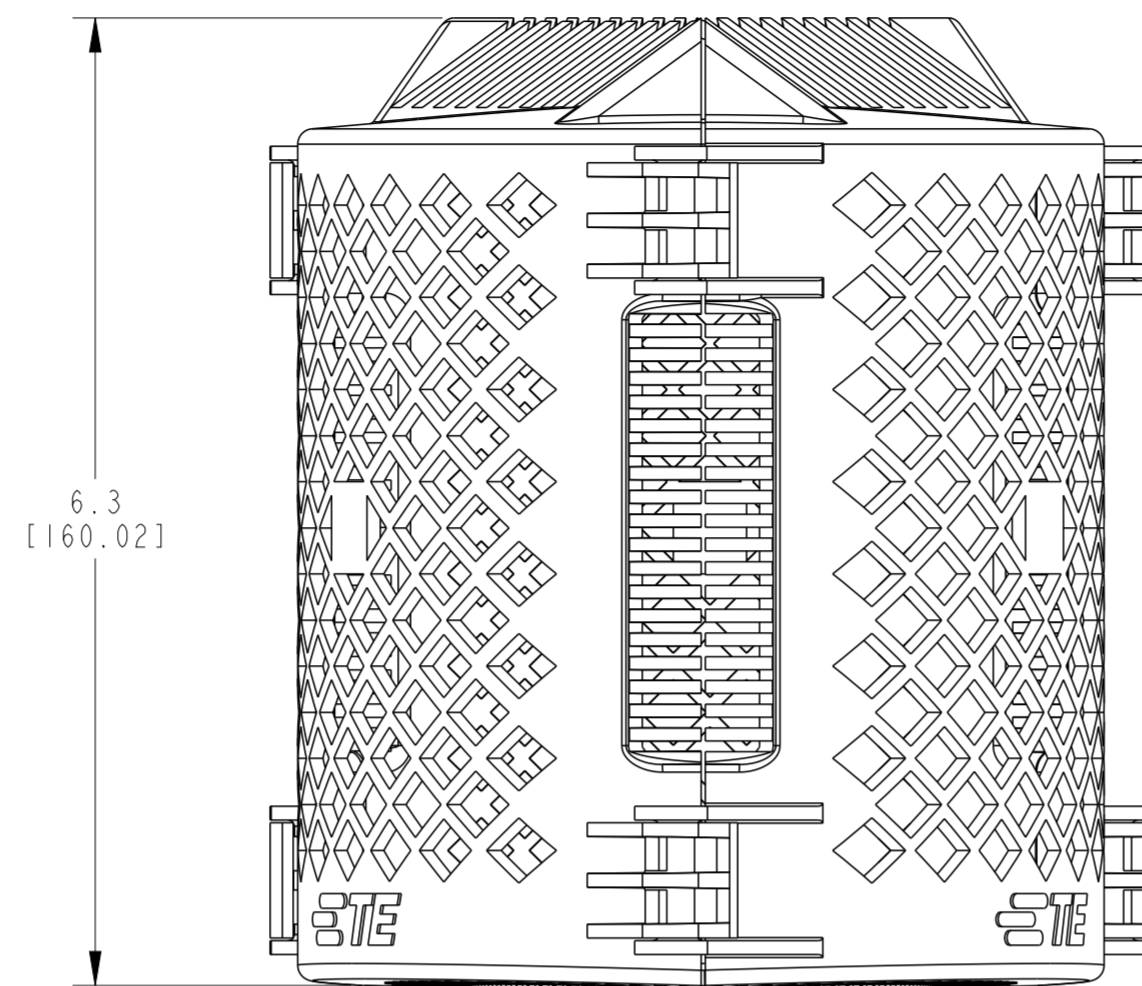
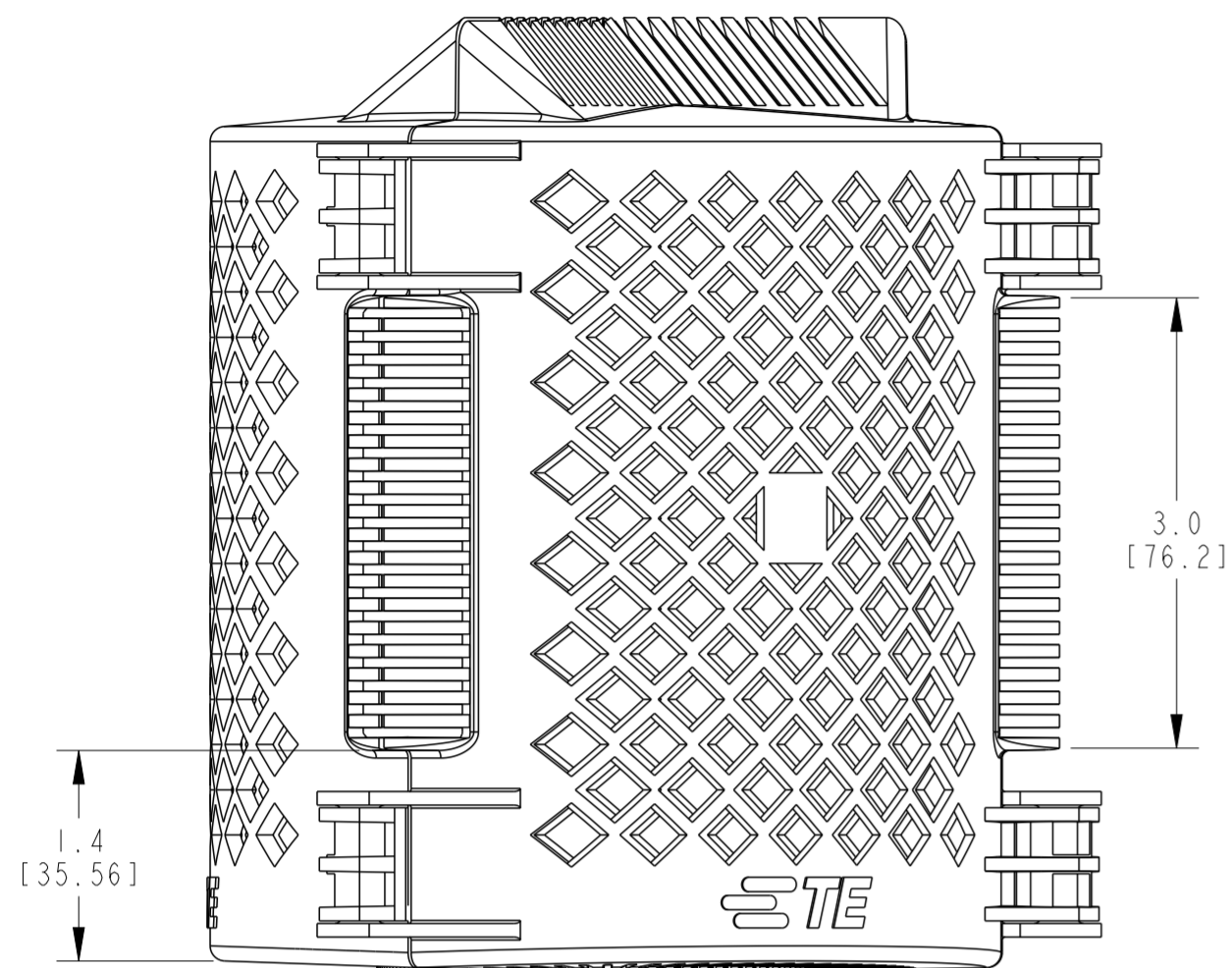


REVISIONS

P	LTR	DESCRIPTION	DATE	DWN	APVD
A		INITIAL RELEASE	27MAY2020	AS	LH
B		VIEWS ARE UPDATED WITH ASSEMBLY	14MAR2023	HM	LH
B1		REV. PER ECR-23-179214	27JUN2023	HM	LH
B2		REV. PER ECR-24-206030	23MAR2024	MT	LH



NOTES:

- PARTS ARE KITTED 6 ASSEMBLIES PER BOX. EACH ASSEMBLY CONSISTS OF 3 PIECES SNAPPED TOGETHER IN TWO PLACES
P11-56104 ALSO INCLUDED
- EACH BOX SHALL BE LABELLED WITH DESCRIPTION, LOT NUMBER, PART NUMBER, MANUFACTURING DATE AND QUANTITY.

TCPN	DESCRIPTION	MATERIAL
337774-000	BCAC-G-IC-5D/6(B6)	TE STANDARD GRAY
BR3669-000	BCAC-IC-5D/6(B6)	TE STANDARD RED
BM5685-000	BCAC-P-IC-5D/6(B6)	GRAY POLYMER
ES3107-000	BCAC+G-IC-5D/6(B6)	TE STANDARD GRAY VO

THIS DRAWING IS A CONTROLLED DOCUMENT.		DWN A. SABARAD 27MAY2020	TE Connectivity	
DIMENSIONS: INCH(MM)		CHK S. LIGHT 27MAY2020		
TOLERANCES UNLESS OTHERWISE SPECIFIED:		APVD L. HILLER 27MAY2020	NAME BCAC-G-IC-5D/6 BCAC-IC-5D/6 BCAC-P-IC-5D/6	
		PRODUCT SPEC	SIZE A2	
MATERIAL		APPLICATION SPEC	CAGE CODE 00779	DRAWING NO E00000892
WEIGHT		CUSTOMER DRAWING	RESTRICTED TO -	SCALE NTS
FINISH		SCALE NTS	SHEET 1	OF 1
		REV B2		