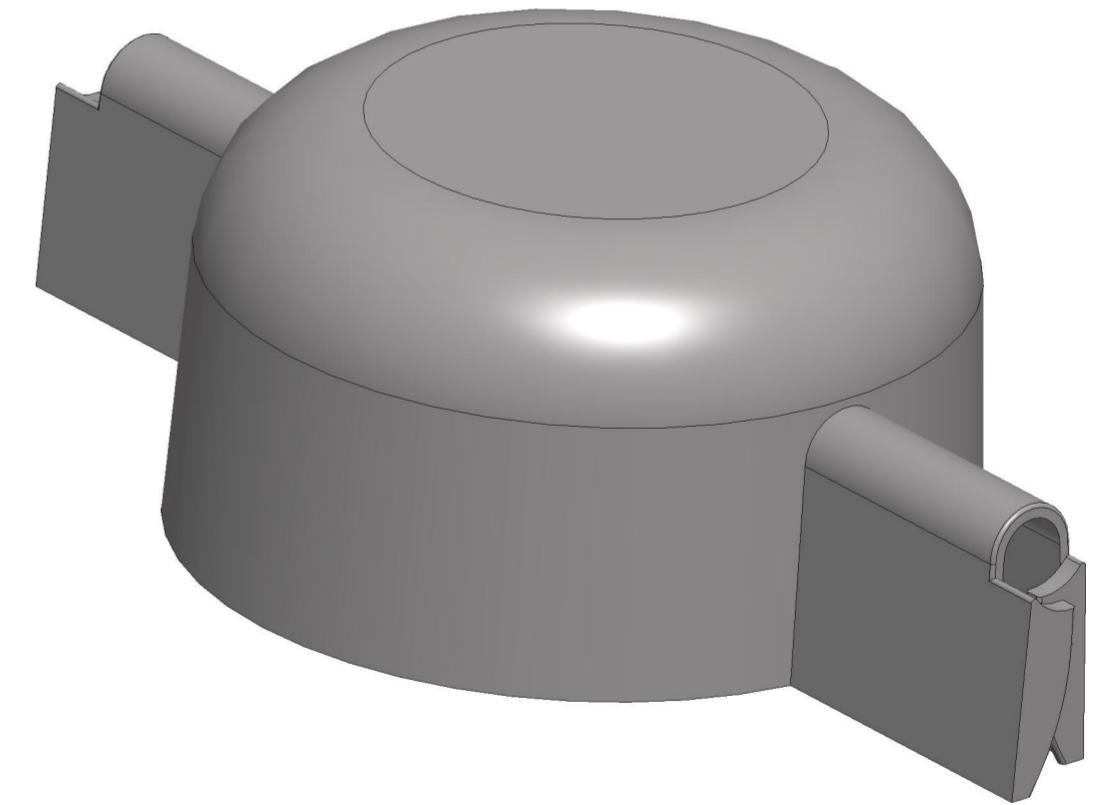
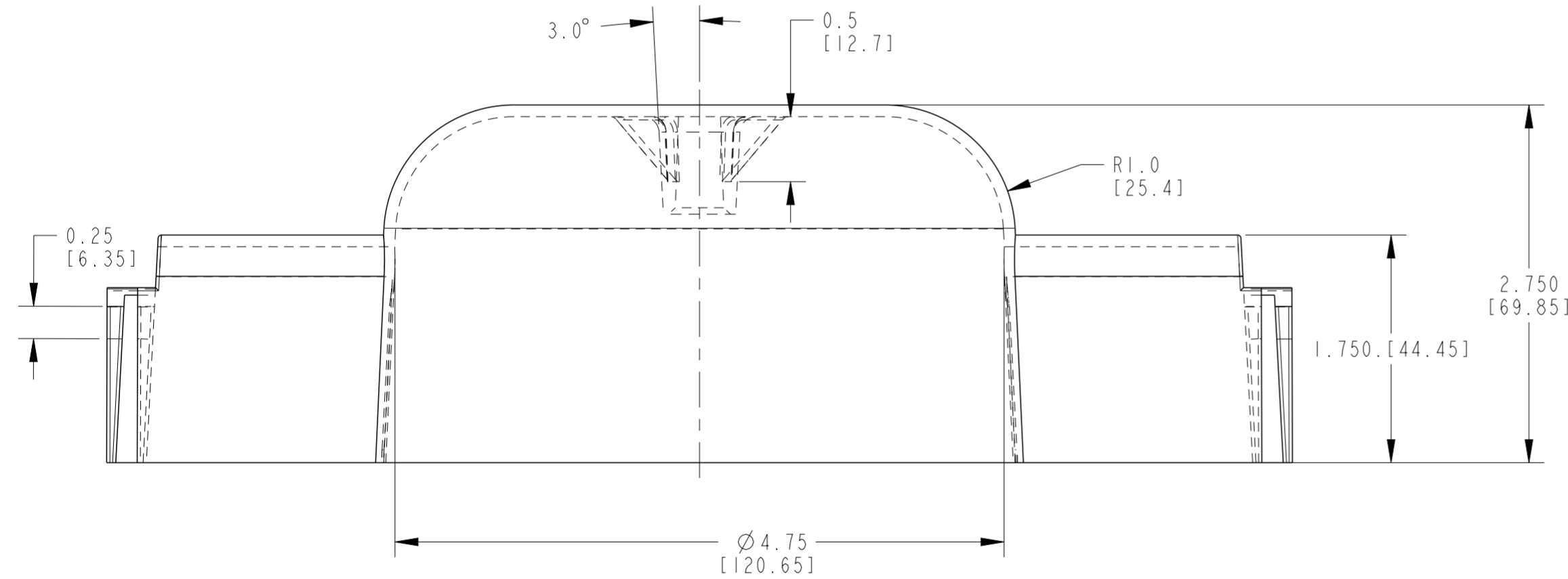
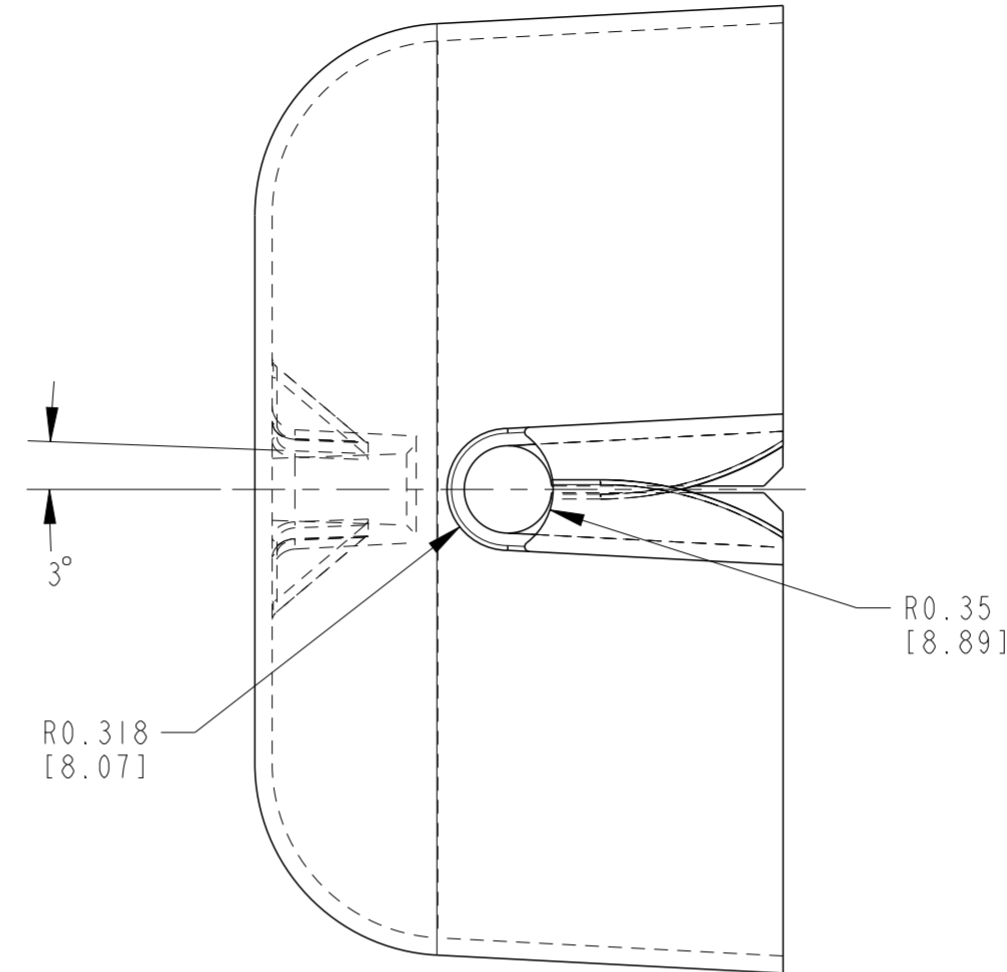
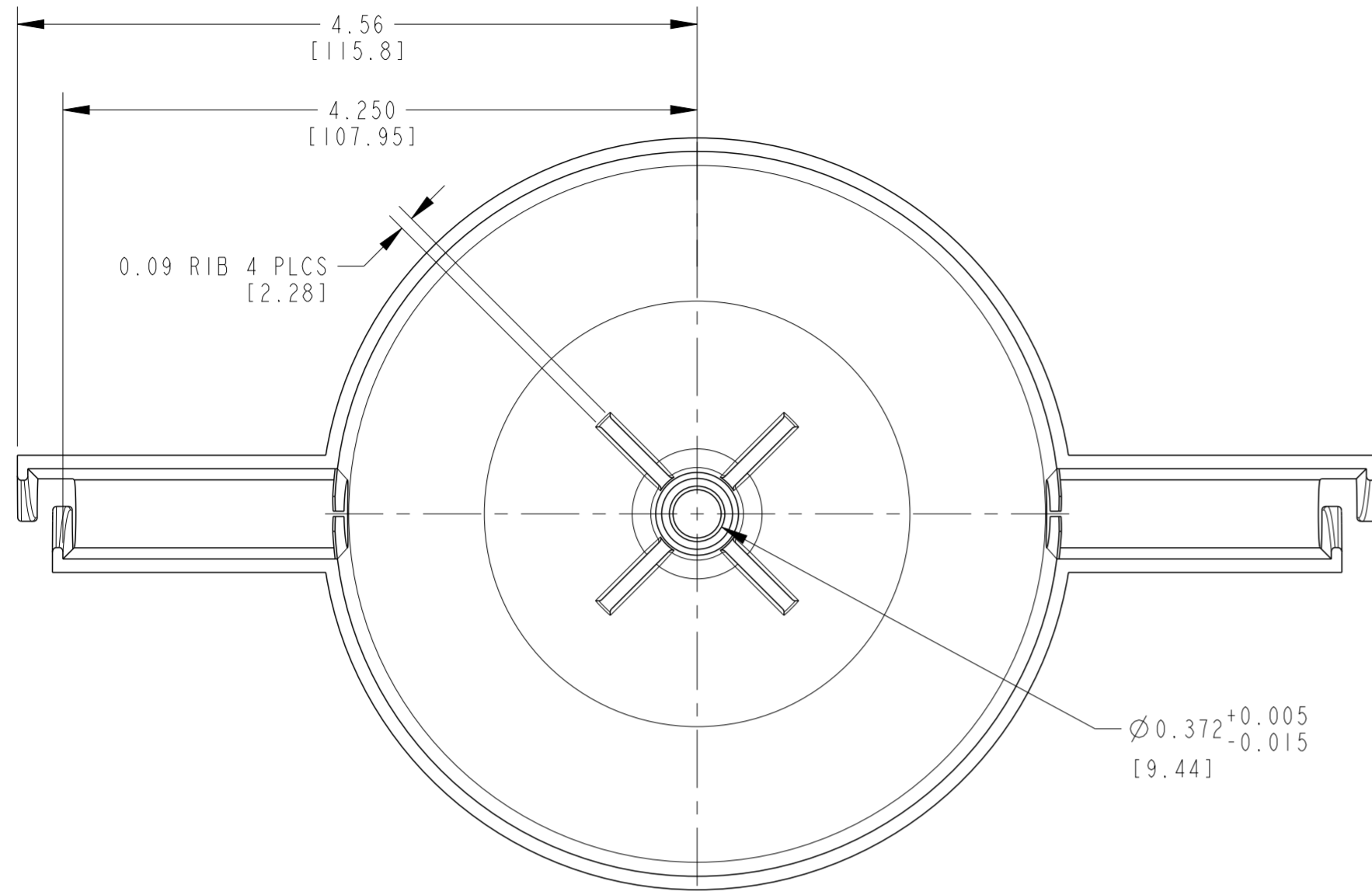


P	LTR	DESCRIPTION	DATE	DWN	APVD
A		INITIAL RELEASE	28MAY2020	AS	LH
AI		REV. PER ECR-24-206030	22MAR2024	MT	LH



NOTES:

- PARTS ARE PACKAGED 24 PIECES TO A BOX.
- EACH BOX SHALL BE LABELLED WITH DESCRIPTION, LOT NUMBER, PART NUMBER, MANUFACTURING DATE AND QUANTITY.

TCPN	DESCRIPTION	MATERIAL
A70988-000	BCAC-AR-5D-2(B24)	TE STANDARD RED
D12018-000	BCAC-G-AR-5D-2(B24)	TE STANDARD GRAY
ES4051-000	BCAC+G-AR-5D-2(B24)	TE STANDARD GRAY V0

THIS DRAWING IS A CONTROLLED DOCUMENT.		DWN A. SABARAD 28MAY2020	TE Connectivity															
DIMENSIONS: INCH(MM)		CHK S. LIGHT 28MAY2020																
TOLERANCES UNLESS OTHERWISE SPECIFIED:		APVD L. HILLER 28MAY2020	NAME BCAC-AR-5D-2															
<table border="1"> <tr> <td>0 PLC</td> <td>±</td> </tr> <tr> <td>1 PLC</td> <td>±</td> </tr> <tr> <td>2 PLC</td> <td>±</td> </tr> <tr> <td>3 PLC</td> <td>±</td> </tr> <tr> <td>4 PLC</td> <td>±</td> </tr> <tr> <td>ANGLES</td> <td>±</td> </tr> <tr> <td>FINISH</td> <td></td> </tr> </table>		0 PLC	±	1 PLC	±	2 PLC	±	3 PLC	±	4 PLC	±	ANGLES	±	FINISH		PRODUCT SPEC	RESTRICTED TO	
0 PLC	±																	
1 PLC	±																	
2 PLC	±																	
3 PLC	±																	
4 PLC	±																	
ANGLES	±																	
FINISH																		
MATERIAL		APPLICATION SPEC	SIZE A2	CAGE CODE 00779														
		WEIGHT	DRAWING NO E00000893	SCALE NTS														
		CUSTOMER DRAWING	SHEET 1	REV AI														