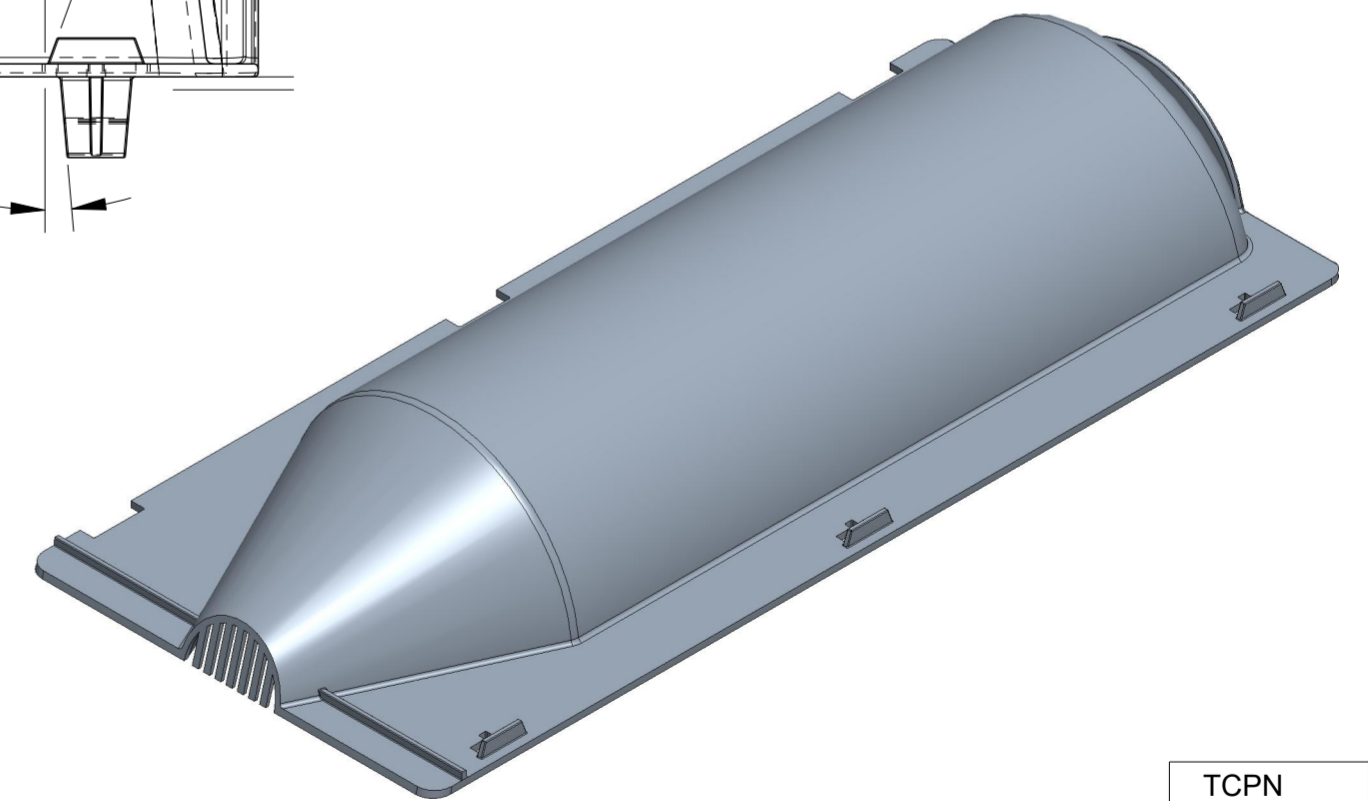
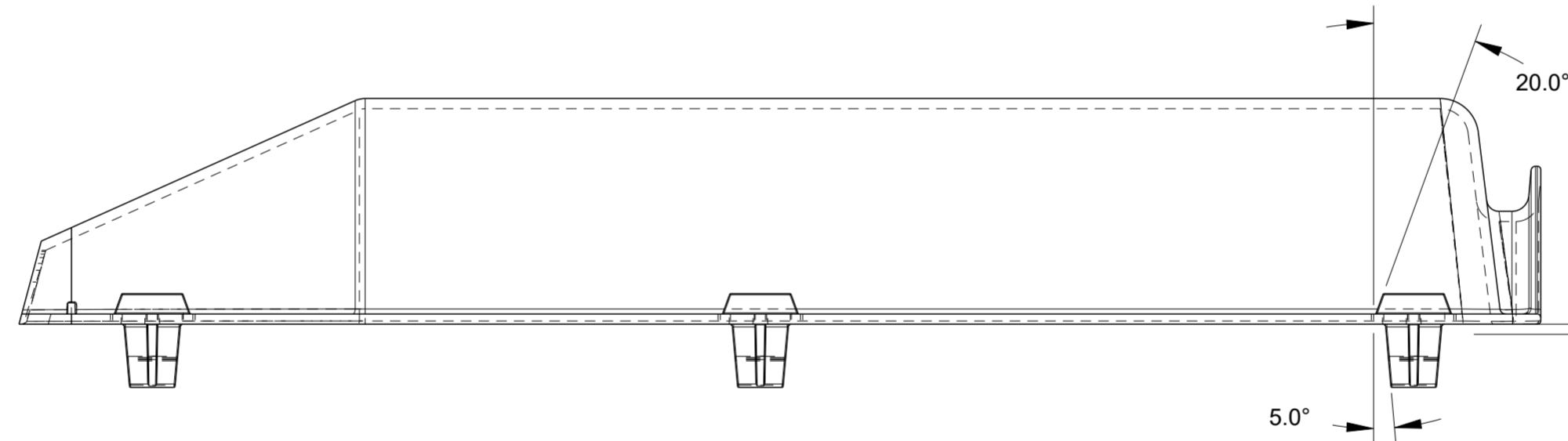
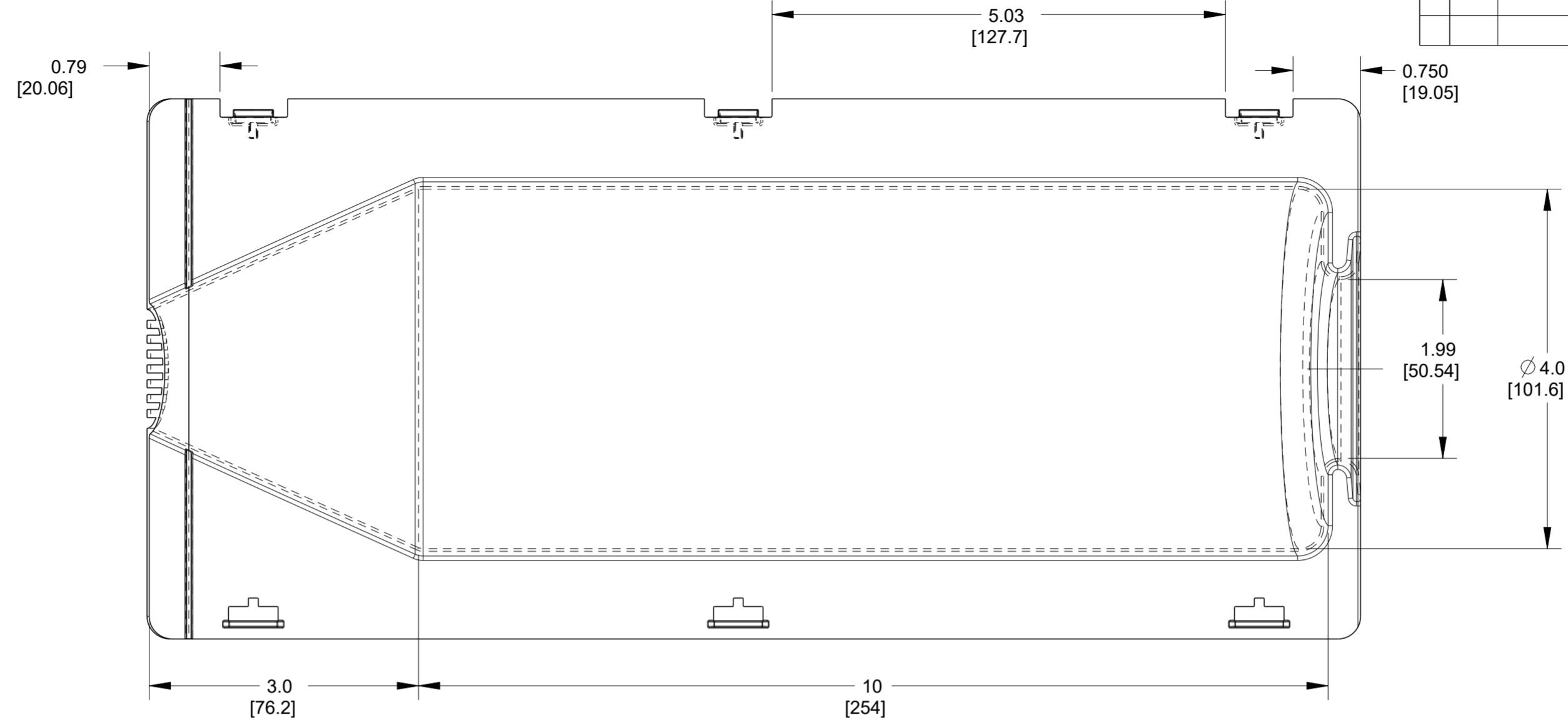
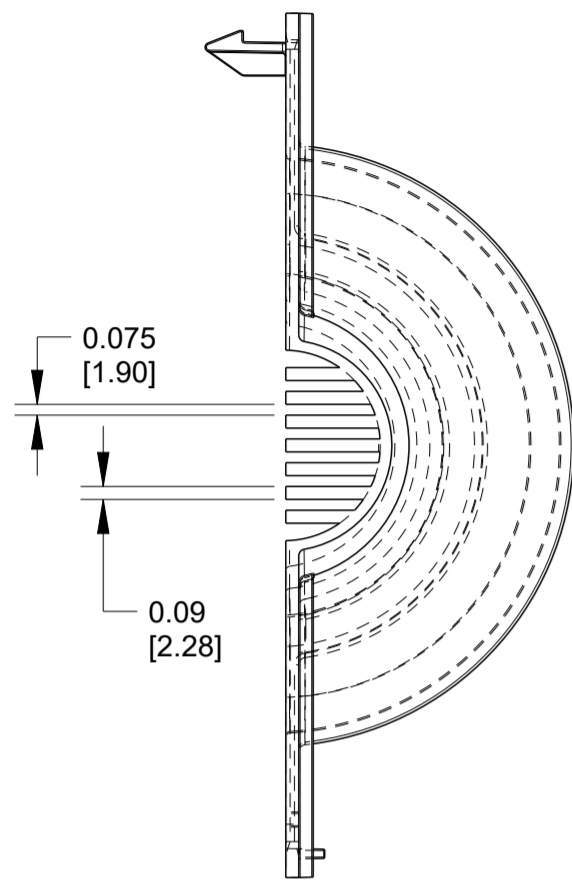


| REVISIONS | | | | | |
|-----------|-----|-----------------|-----------|-----|------|
| P | LTR | DESCRIPTION | DATE | DWN | APVD |
| A | | INITIAL RELEASE | 27MAY2020 | AS | LH |
| | | | | | |
| | | | | | |



NOTES:

1. EACH BOX SHALL BE LABELLED WITH DESCRIPTION, LOT NUMBER, PART NUMBER, MANUFACTURING DATE AND QUANTITY.
2. EACH KIT PACKED WITH 36 HALVES.

TCPN
CR9908-000

| | | | | |
|--|--|--------------------------------|-----------------------------|-----------|
| THIS DRAWING IS A CONTROLLED DOCUMENT. | | DWN A. SABARAD 27MAY2020 | TE Connectivity | |
| DIMENSIONS: INCH(MM) | | CHK S. LIGHT 27MAY2020 | | |
| TOLERANCES UNLESS OTHERWISE SPECIFIED: | | APVD L. HILLER 27MAY2020 | NAME BCAC-G-4D/13-2(B18) | |
| 0 PLC ± | | PRODUCT SPEC | SIZE | CAGE CODE |
| 1 PLC ± | | APPLICATION SPEC | A2 | 00779 |
| 2 PLC ± | | WEIGHT | DRAWING NO E00000895 | |
| 3 PLC ± | | CUSTOMER DRAWING | SCALE | SHEET |
| 4 PLC ± | | | NTS | 1 OF 1 |
| ANGLES ± | | | REV | A |
| FINISH | | | | |