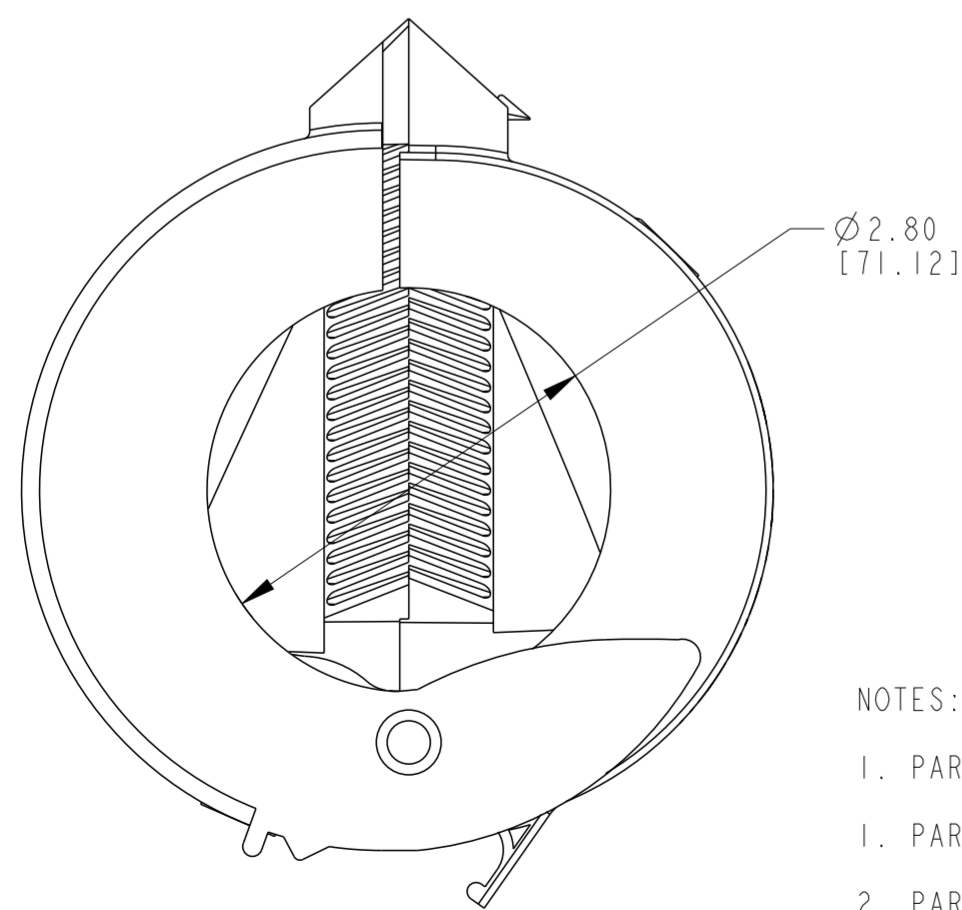
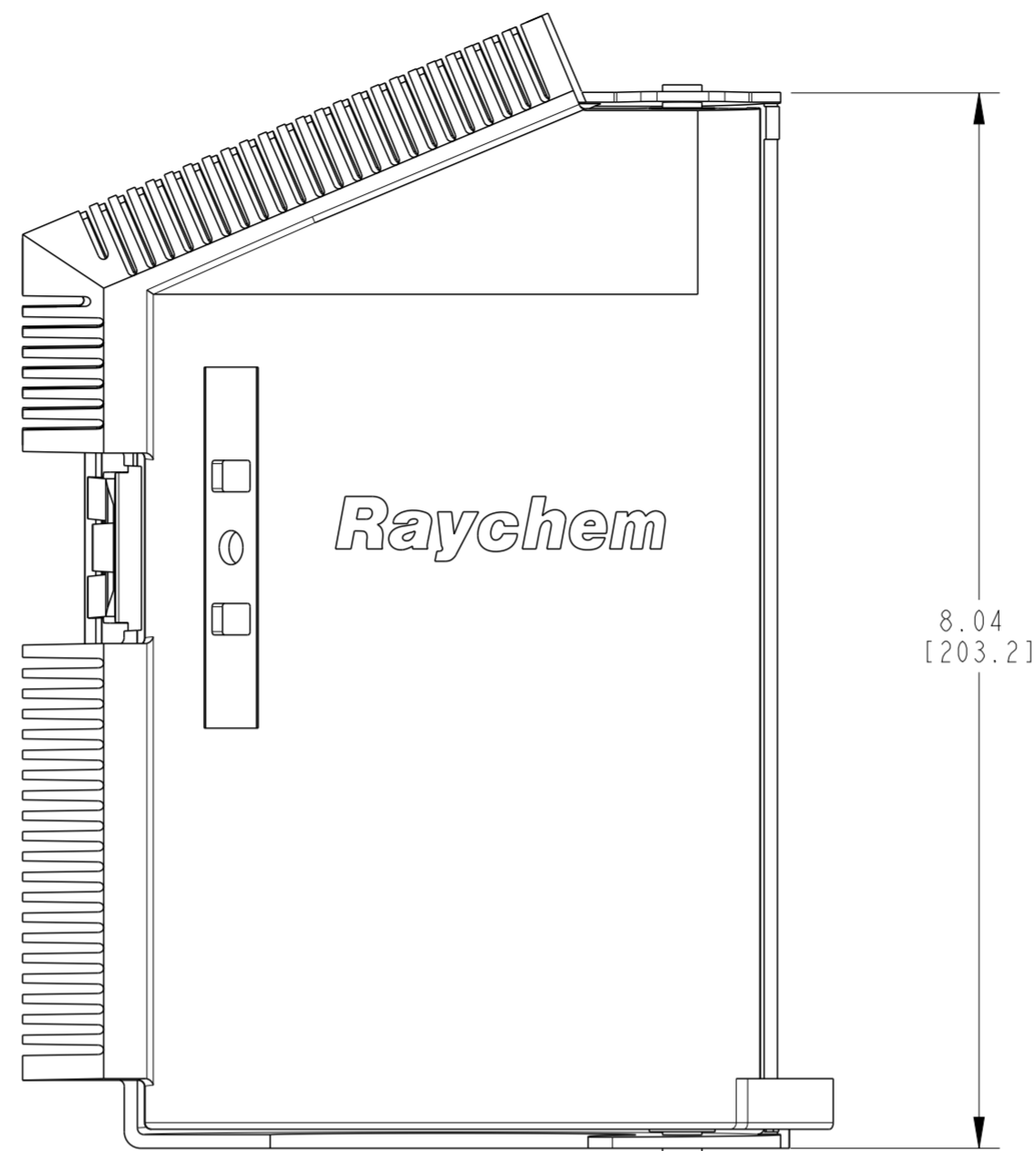
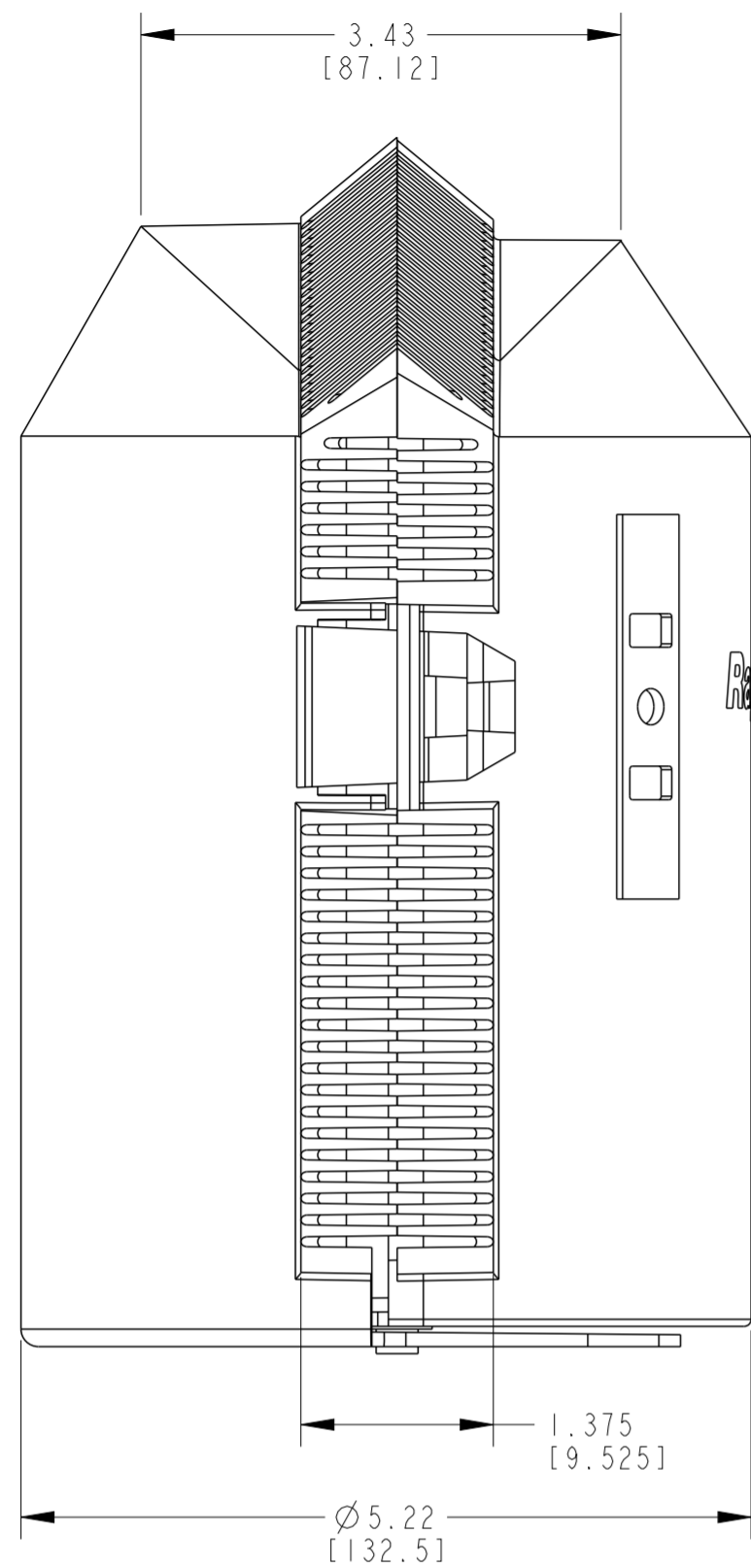


P	LTR	DESCRIPTION	DATE	DWN	APVD
A		INITIAL RELEASE	08JUN2020	AS	LH
B		TYPO CORRECTION	24NOV2022	HM	LH
C		DIMENSION Ø2.80[71.12] IS ADDED	16DEC2022	HM	LH
C1		REV. PER ECR-24-206030	25MAR2024	MT	LH



NOTES:

- PARTS SHALL BE KITTED 12 PIECES PER BOX.
- PARTS SHALL BE KITTED WITH 127252-000 BOLT-1/4-20X1/2-BLK-UV 30 PIECES.
- PARTS SHALL BE KITTED WITH 218852-000 NUT-1/4-20-HEX-BLK-UVNYL 30 PIECES.
- PARTS SHALL BE KITTED WITH C53932-000 BCAC-GA-01-A 12 PC, P11-55169 1 PIECE
- EACH BOX SHALL BE LABELLED WITH DESCRIPTION LOT NUMBER PART NUMBER MANUFACTURING DATE AND QUANTITY

THIS DRAWING IS A CONTROLLED DOCUMENT.

DIMENSIONS: INCH(MM)	TOLERANCES UNLESS OTHERWISE SPECIFIED:
0 PLC ±	1 PLC ±
1 PLC ±	2 PLC ±
2 PLC ±	3 PLC ±
3 PLC ±	4 PLC ±
4 PLC ±	ANGLES ±
MATERIAL	FINISH

DWN	A. SABARAD	08JUN2020
CHK	S. LIGHT	08JUN2020
APVD	L. HILLER	08JUN2020
PRODUCT SPEC		
APPLICATION SPEC		
WEIGHT		
CUSTOMER DRAWING		

TCPN	DESCRIPTION	MATERIAL
901284-000	BCAC-5D/8-01(B12)	TE STANDARD RED
A90301-000	BCAC-G-5D/8-01(B12)	TE STANDARD GRAY
ES4187-000	BCAC+G-5D/8-01(B12)	TE STANDARD GRAY VO

DWN		08JUN2020			
CHK	S. LIGHT	08JUN2020			
APVD	L. HILLER	08JUN2020		NAME BCAC-5D/8-01	
SIZE	A2	CAGE CODE	00779	DRAWING NO	C-E00000904
RESTRICTED TO		SCALE	NTS	SHEET	OF
REV	C1				