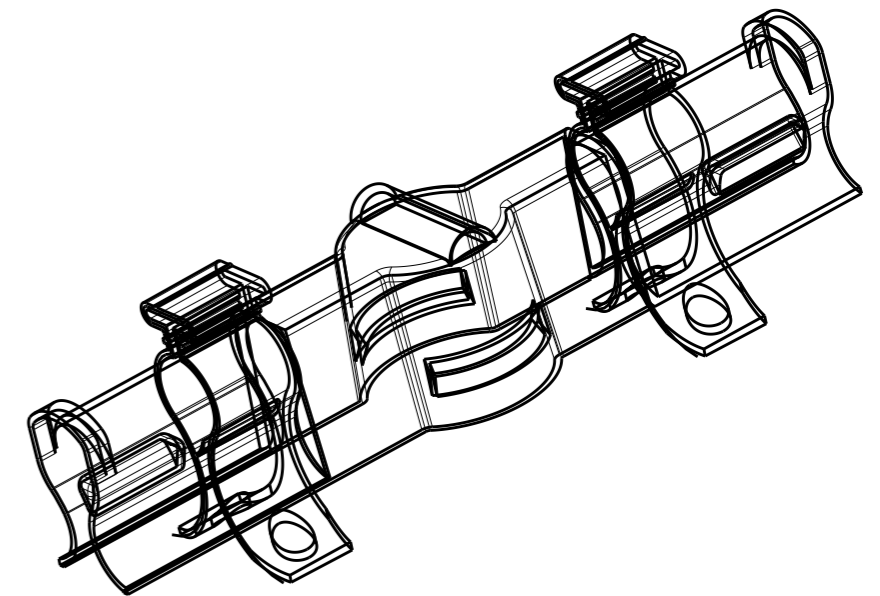
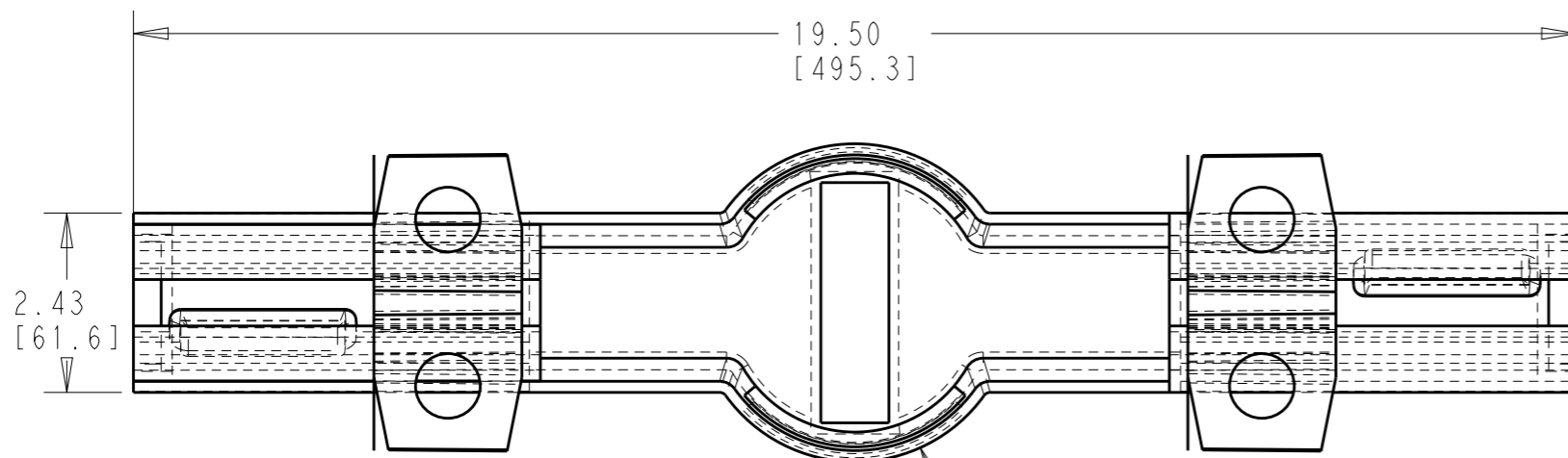
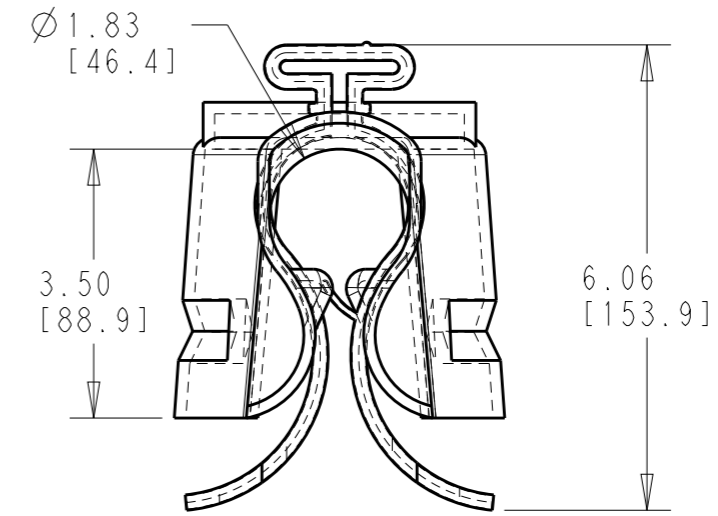
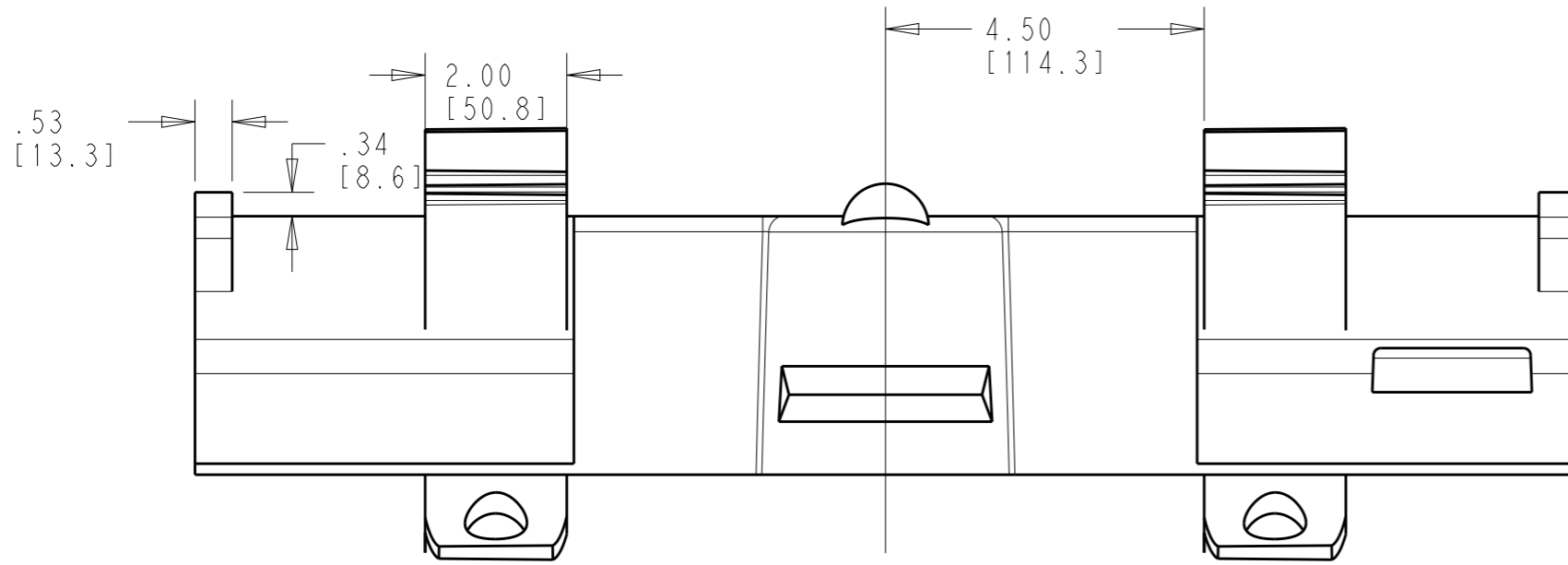


P	LTR	DESCRIPTION	DATE	DWN	APVD
	A	INITIAL RELEASE	12OCT2020	SL	LH



SCALE 1:4

TE-PN	DESCRIPTION
EK4276-000	BCIC-GT-PIN(B6)

NOTES:

- PARTS TO BE KITTED 6 PIECES PER BOX
- PART SHALL BE KITTED WITH PII-70140
- EACH BOX SHALL BE LABELLED WITH DESCRIPTION, LOT NUMBER, PART NUMBER MANUFACTURING DATE AND QUANTITY.

Ø4.30 [109.2]

THIS DRAWING IS A CONTROLLED DOCUMENT.		DWN	SL	12OCT2020	TE Connectivity			
		CHK	LH	12OCT2020				
		APVD	LH	12OCT2020	NAME			
		PRODUCT SPEC			BCIC-GT-PIN			
		APPLICATION SPEC			-			
		WEIGHT			SIZE	CAGE CODE	DRAWING NO	RESTRICTED TO
		CUSTOMER DRAWING			A3	00779	Ⓒ-E00001652	-
					SCALE	SHEET	OF	REV
					2:5	1	1	A1

DIMENSIONS:		TOLERANCES UNLESS OTHERWISE SPECIFIED:	
in [mm]			
	0 PLC	±	-
	1 PLC	±	.1
	2 PLC	±	.01
	3 PLC	±	.001
	4 PLC	±	.0001
ANGLES		±	-
MATERIAL		FINISH	
TE GRAY		-	