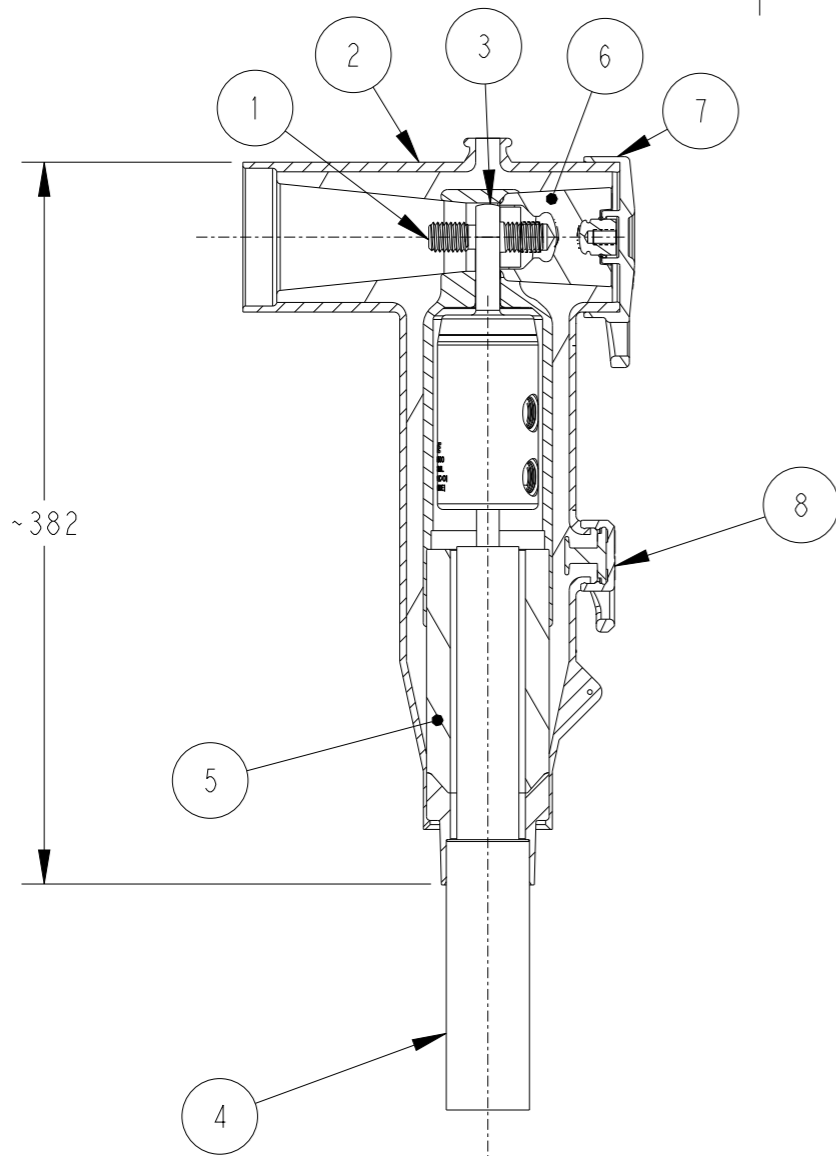
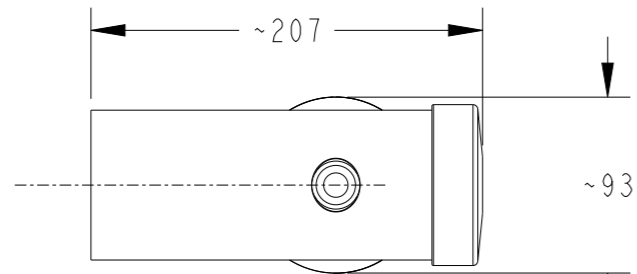
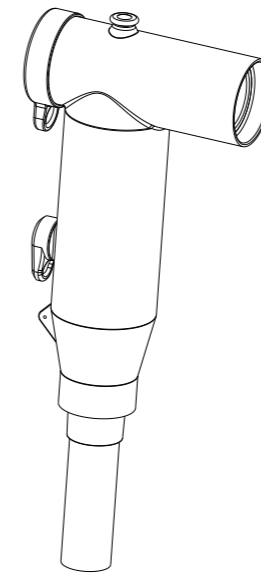
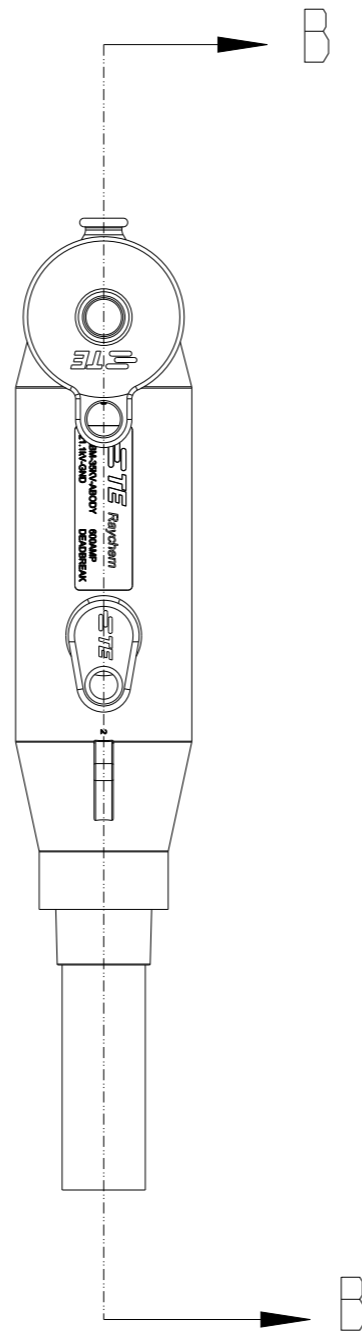


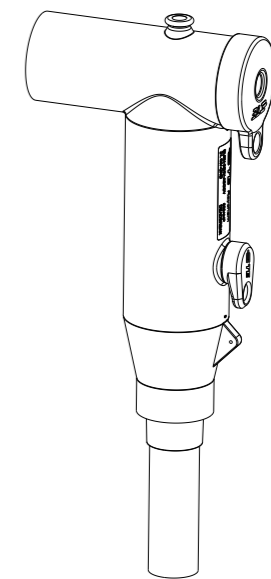
P	LTR	DESCRIPTION	DATE	DWN	APVD
	A	PRODUCTION RELEASE	13FEB2024	AL	YW



SECTION B-B



SCALE 3:20



SCALE 3:20

ITEM	QTY	DESCRIPTION
1	1	Stud
2	1	Assembly Main Body
3	1	Shear bolt lug
4	1	Cable
5	1	Assembly Adapter
6	1	Back Plug
7	1	Conductive Cap
8	1	Testpoint (optional)

THIS DRAWING IS A CONTROLLED DOCUMENT.

DIMENSIONS: mm	TOLERANCES UNLESS OTHERWISE SPECIFIED:
	0 PLC ±-
	1 PLC ±0.5
	2 PLC ±0.13
	3 PLC ±0.013
	4 PLC ±0.0001
	ANGLES ±-
MATERIAL TBD	FINISH -

DWN A. LOGANATHAN 14JUL2023
CHK Y. WENTO 14JUL2023
APVD Y. WENTO 14JUL2023
PRODUCT SPEC -
APPLICATION SPEC -
WEIGHT -
CUSTOMER DRAWING

TE Connectivity		NAME 35kV 600/900A ASYMMETRIC COMPACT ELBOW CONNECTORS ELBA-35		
		SIZE A3	CAGE CODE 00779	DRAWING NO G-E00001827_BASE
SCALE 1:4		SHEET 1 OF 1	REV A	