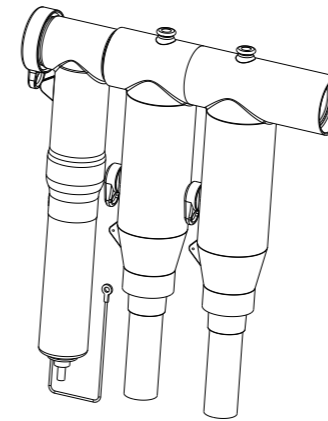
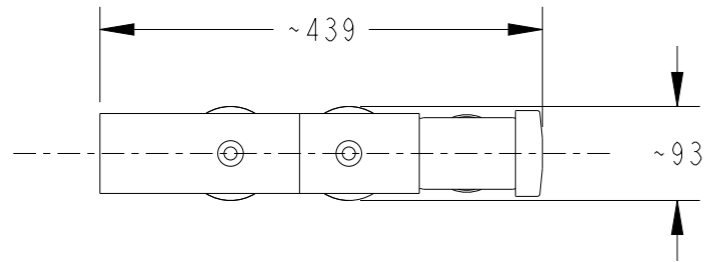
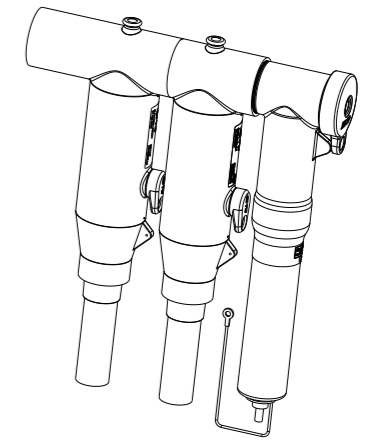


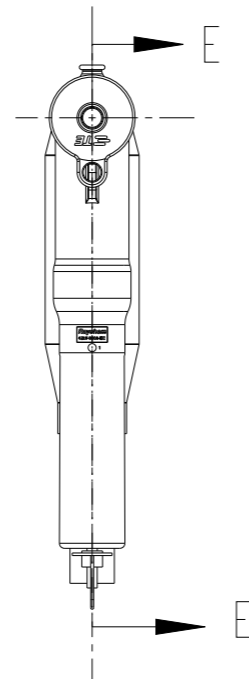
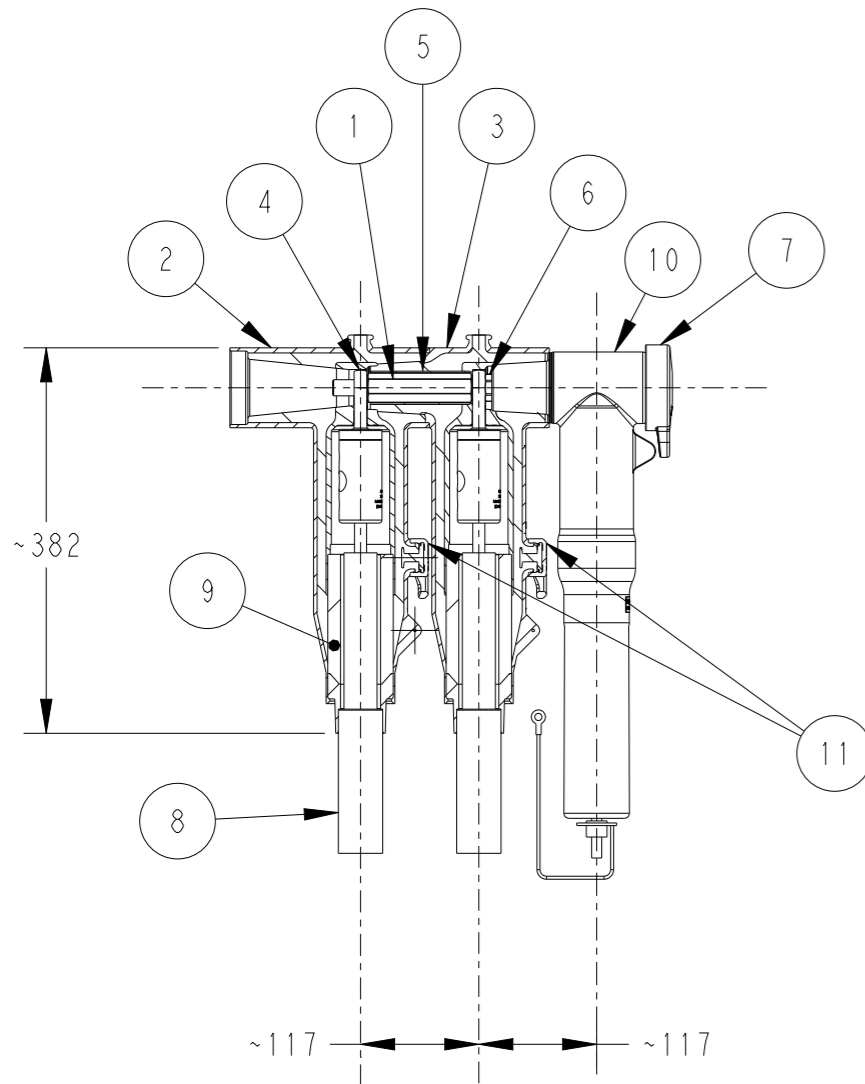
P	LTR	DESCRIPTION	DATE	DWN	APVD
	A	PRODUCTION RELEASE	13FEB2024	AL	YW



1:10



1:10



ITEM	QTY	DESCRIPTION
1	1	Coupling Bolt
2	1	Assembly Main Body
3	1	Assembly Coupling Connector
4	2	Shear Bolt Lug
5	1	Metal Tube
6	1	Hexagon Nut
7	1	Conductive Cap
8	2	Cable
9	2	Assembly Adapter
10	1	Surge Arrester
11	1	Testpoint (optional)

SECTION E-E  
SCALE 2:15

THIS DRAWING IS A CONTROLLED DOCUMENT.

DWN 14JUL2023  
A. LOGANATHAN

CHK 14JUL2023  
Y. WENTO

APVD 14JUL2023  
Y. WENTO

PRODUCT SPEC

APPLICATION SPEC

WEIGHT

CUSTOMER DRAWING



TE Connectivity

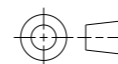
NAME  
35kV 600/900A  
ASYMMETRIC COMPACT ELBOW CONNECTOR + COUPLING  
CONNECTOR + COUPLING ARRESTER  
ELBA-35 + ELBA-CC-35 + ELBA-CC-35-SA

SIZE CAGE CODE DRAWING NO RESTRICTED TO

A3 00779 C-E00001827\_CC\_SA -

SCALE 1:1 SHEET 1 OF 1 REV A

DIMENSIONS:  
mm



TOLERANCES UNLESS OTHERWISE SPECIFIED:

0 PLC	±
1 PLC	±0.5
2 PLC	±0.13
3 PLC	±0.013
4 PLC	±0.0001
ANGLES	±

MATERIAL

FINISH