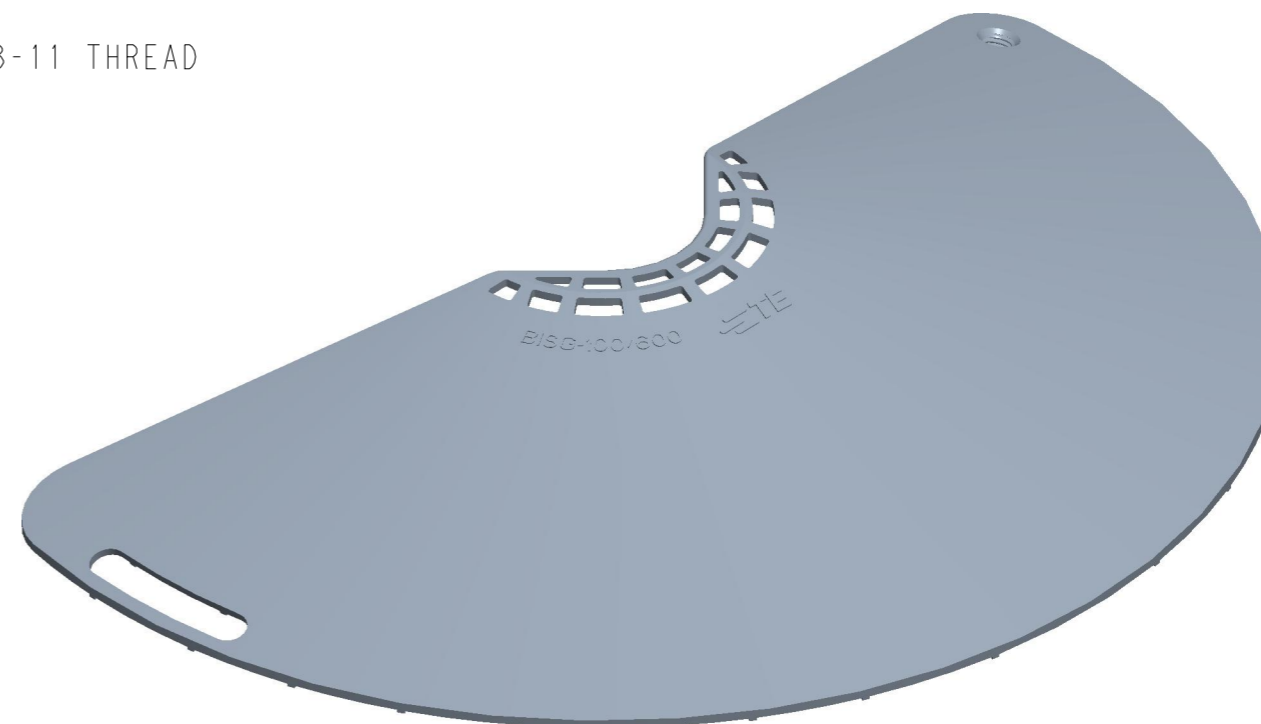
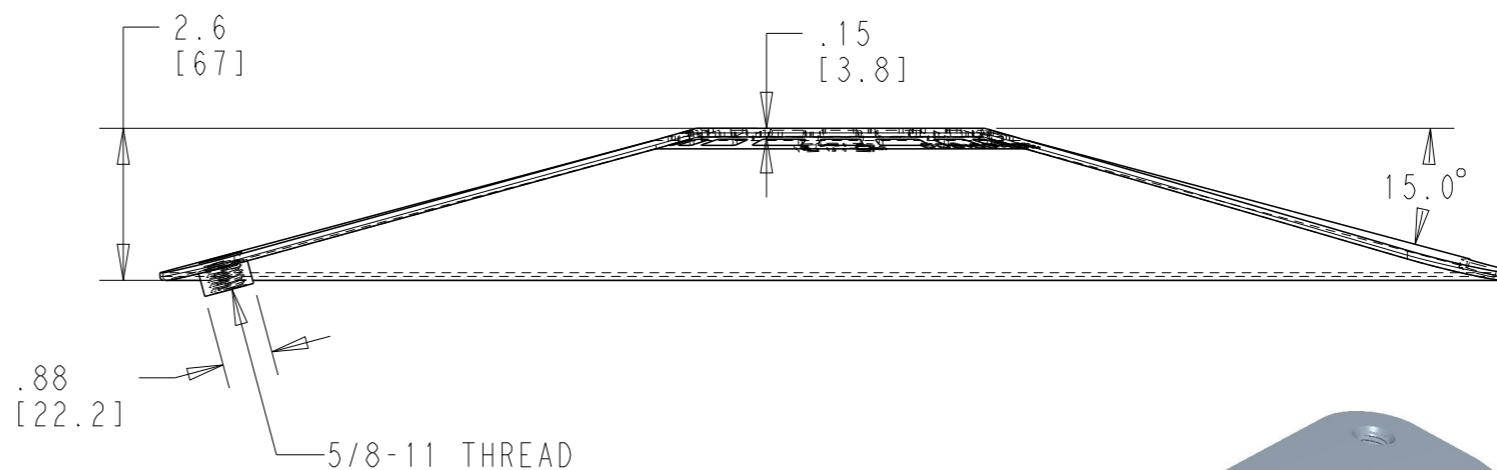
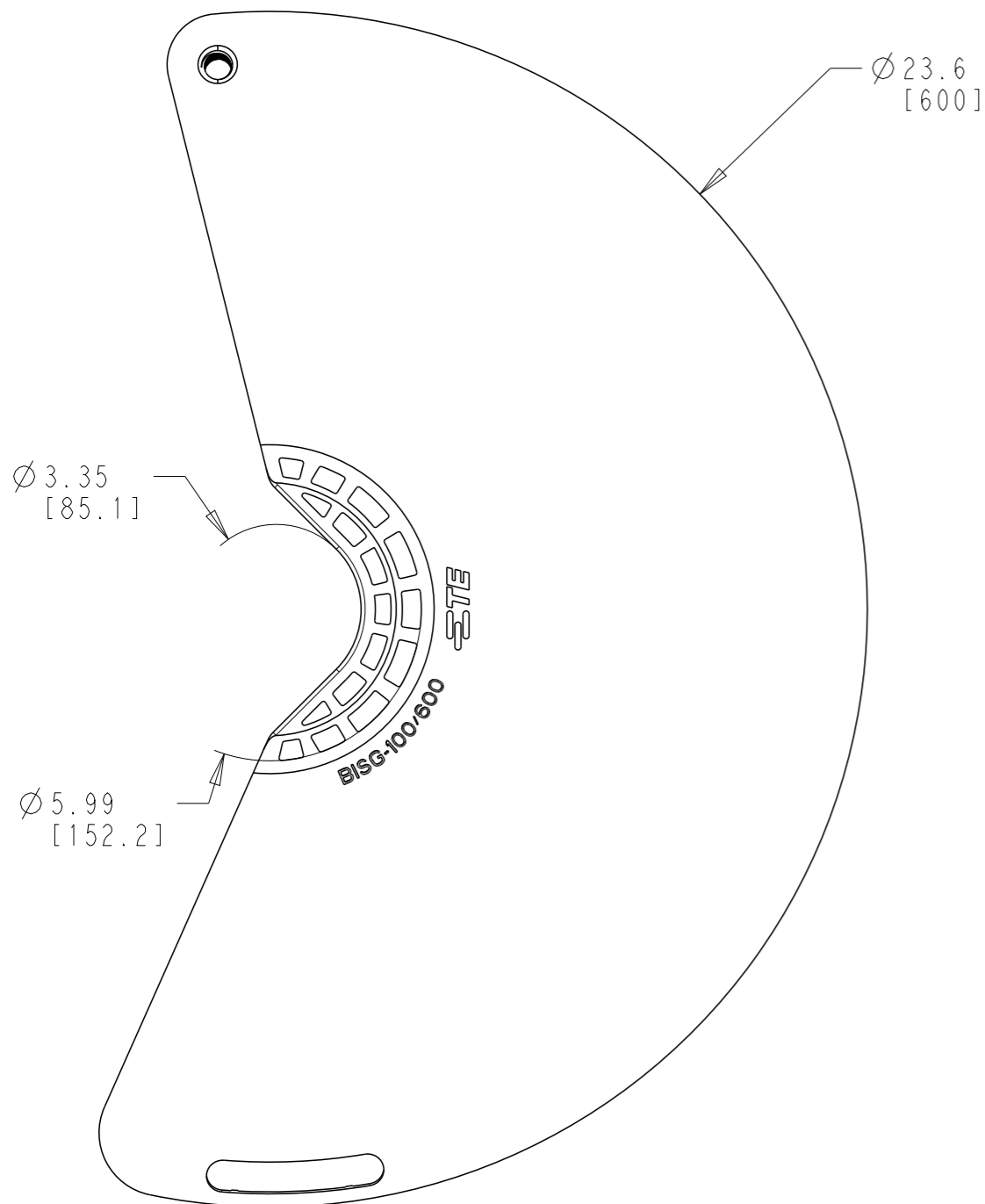




P	LTR	DESCRIPTION	DATE	DWN	APVD
A		INITIAL RELEASE	01MAR2021	SL	LH
B		REPLACE PII-70272 WITH EN8565-002	03NOV2023	RS	BG



TCPN	DESCRIPTION
ER0918-000	BISG-100/600(B3)
ER0921-000	BISG-G-100/600(B3)

NOTES:

- PARTS SHALL BE KITTED 6 HALVES PER BOX TO MAKE 3 COMPLETE ASSEMBLIES
- PARTS SHALL BE KITTED WITH 6 BOLTS (244821-000) AND PII (EN8565-002)
- EACH BOX SHALL BE LABELLED WITH DESCRIPTION, LOT NUMBER, MANUFACTURING DATE, AND QUANTITY

THIS DRAWING IS A CONTROLLED DOCUMENT.		DWN	01MAR2021	 TE Connectivity	
		CHK	LH		
		APVD	LH		
		PRODUCT SPEC	-		
DIMENSIONS: in [mm]		TOLERANCES UNLESS OTHERWISE SPECIFIED: 0 PLC ±- 1 PLC ±.1 2 PLC ±.01 3 PLC ±.001 4 PLC ±.0001 ANGLES ±-		NAME BISG-100/600(B3) BISG-G-100/600(B3)	
		MATERIAL -		FINISH -	
		WEIGHT -		SIZE A3	
		CUSTOMER DRAWING		CAGE CODE 00779	
		SCALE 3:10		DRAWING NO E00001841	
		SHEET 1 OF 1		RESTRICTED TO -	
		REV B			