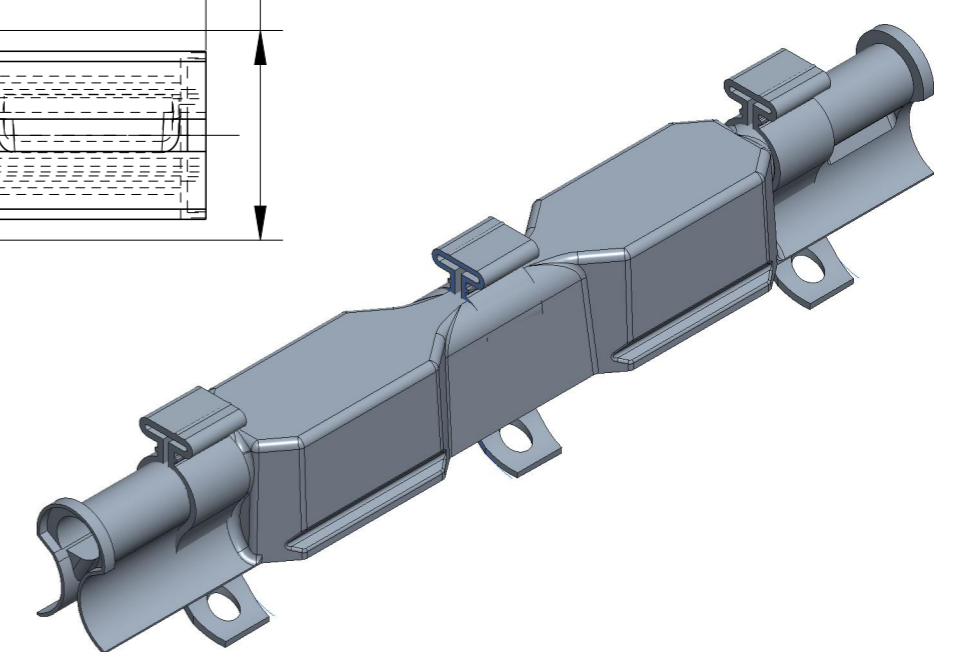
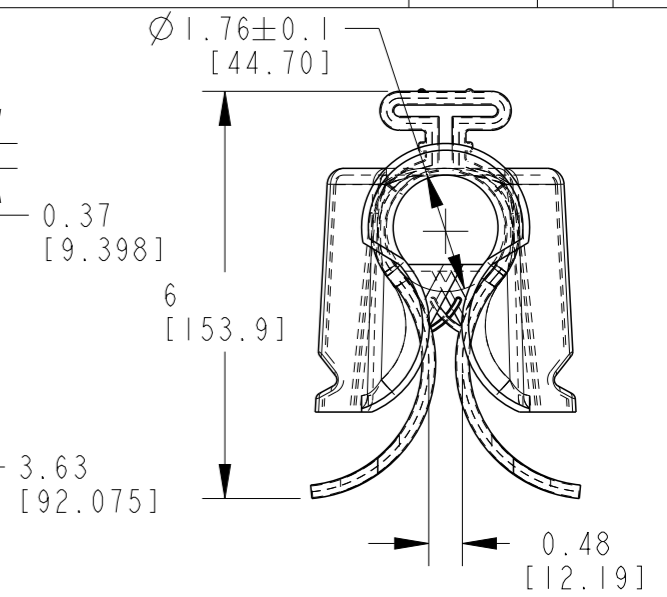
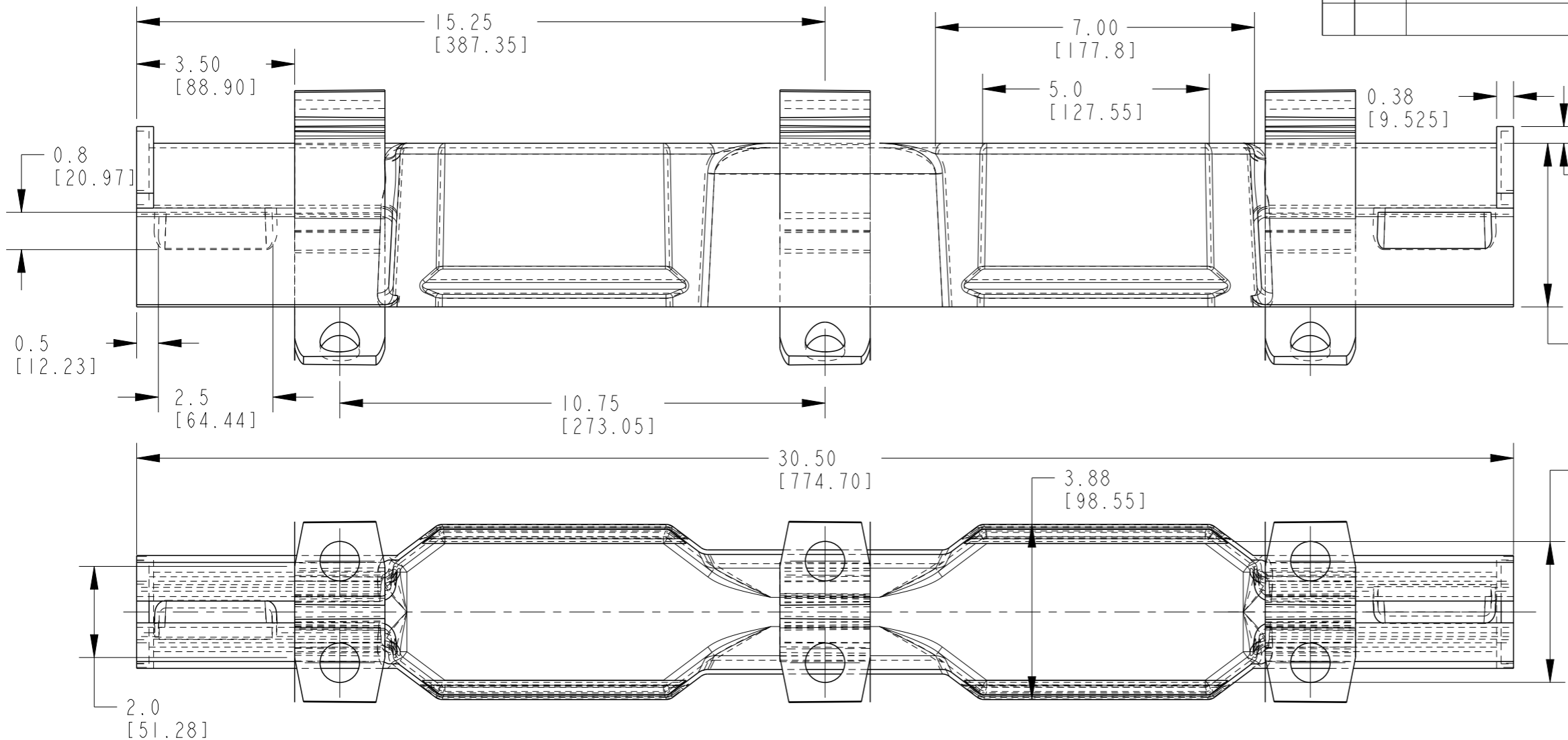


P	LTR	DESCRIPTION	DATE	DWN	APVD
A		INITIAL RELEASE	11MAR2021	AS	LH
AI		REV.PER ECN-24-273738	03MAY2024	SP	LH



TCPN	DESCRIPTION	MATERIAL
EL3619-000	BCIC-GT-DPIN(B6)	TE STANDARD GRAY
ES3176-000	BCIC+GT-DPIN(B6)	TE STANDARD GRAY V0

NOTES:

1. MATERIAL: TE THICK GRAY BCIS
2. KITTED 6 PER BOX w/ P11-70140
3. EACH BOX SHALL BE LABELLED WITH DESCRIPTION, LOT NUMBER, PART NUMBER, MANUFACTURING DATE, AND QUANTITY.

THIS DRAWING IS A CONTROLLED DOCUMENT.		DWN A. SABARAD 11MAR2021			
DIMENSIONS: INCH[MM]		CHK S. LIGHT 11MAR2021			
TOLERANCES UNLESS OTHERWISE SPECIFIED:		APVD L. HILLER 11MAR2021	NAME BCIC-GT-DPIN		
		PRODUCT SPEC	RESTRICTED TO		
MATERIAL SEE NOTES		APPLICATION SPEC	SIZE A3	CAGE CODE 00779	DRAWING NO E00001843
FINISH SEE NOTES		WEIGHT	SCALE NTD		SHEET 1 OF 1
		CUSTOMER DRAWING	REV AI		