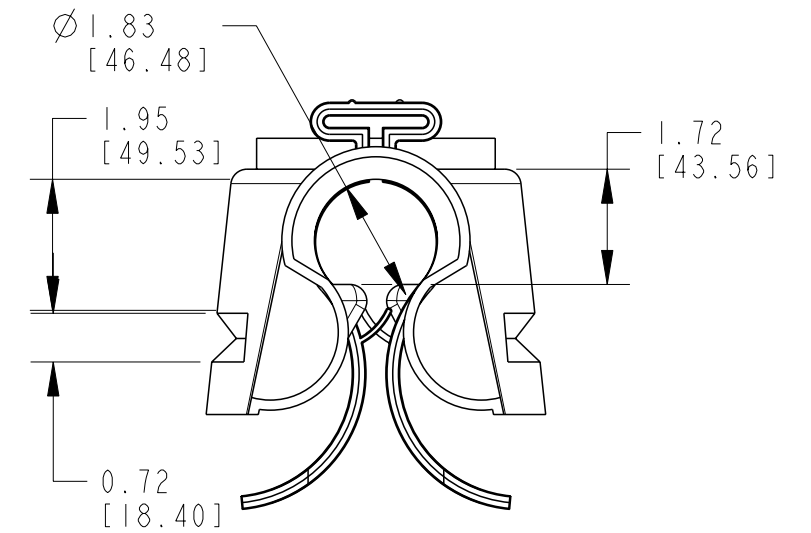
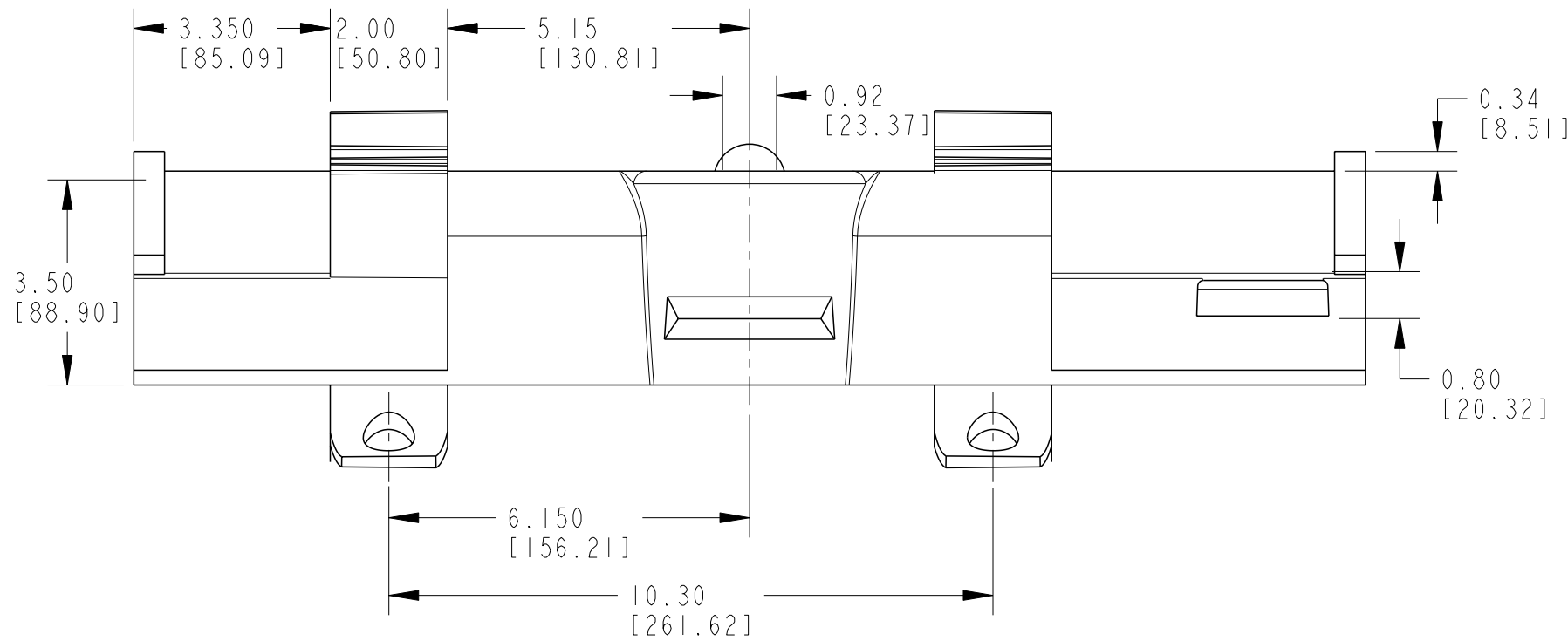
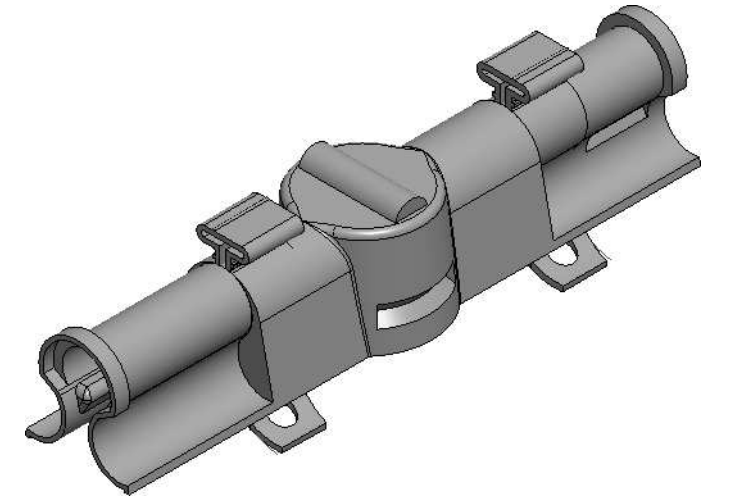
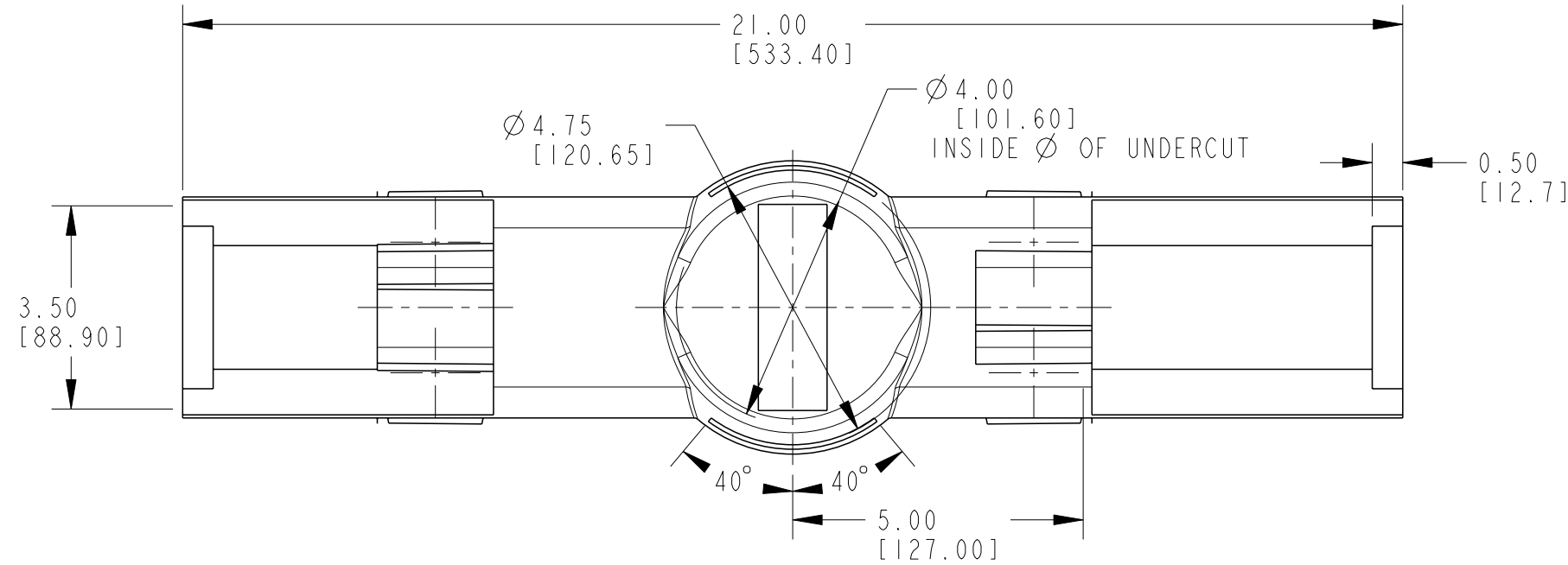



P	LTR	DESCRIPTION	DATE	DWN	APVD
	A	INITIAL RELEASE	17MAR2021	AS	LH



EK5638-000  
PART NO.

NOTES:

1. MATERIAL: TE THICK GRAY BCIS
2. EACH BOX SHALL BE LABELLED WITH DESCRIPTION, LOT NUMBER, PART NUMBER, MANUFACTURING DATE, AND QUANTITY
3. KITTED 6 PER BOX

THIS DRAWING IS A CONTROLLED DOCUMENT.		DWN A. SABARAD 17MAR2021	 TE Connectivity		
DIMENSIONS: INCH[MM]		CHK S. LIGHT 17MAR2021			
TOLERANCES UNLESS OTHERWISE SPECIFIED:		APVD L. HILLER 17MAR2021	NAME BCIC-GT-PIN-XL		
0 PLC ± 1 PLC ± 2 PLC ± 3 PLC ± 4 PLC ± ANGLES ±		PRODUCT SPEC	RESTRICTED TO		
MATERIAL SEE NOTES		APPLICATION SPEC	SIZE A3	CAGE CODE 00779	DRAWING NO C-E00001845
FINISH SEE NOTES		WEIGHT	SCALE NTS		
		CUSTOMER DRAWING	SHEET 1 OF 1 REV A		

Printed on 23 Nov 2022 17:39 (India Standard Time) from IE397707