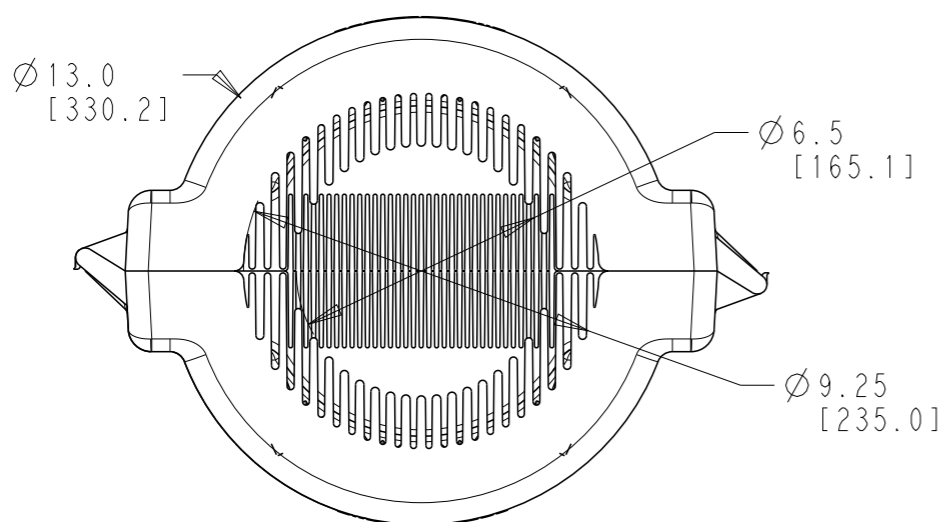
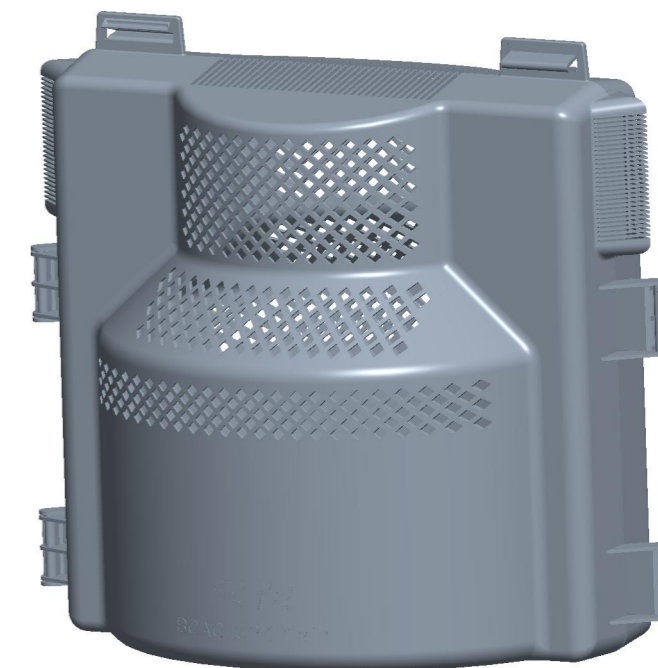
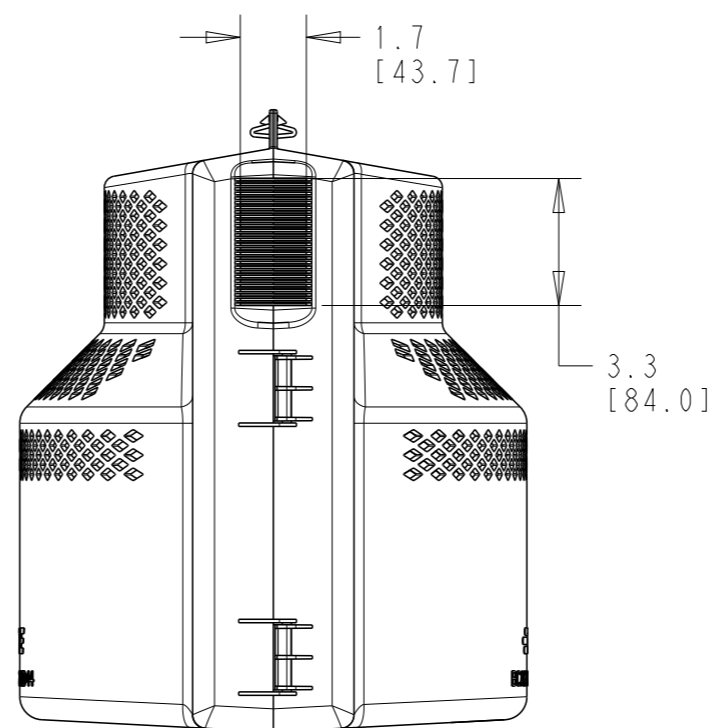
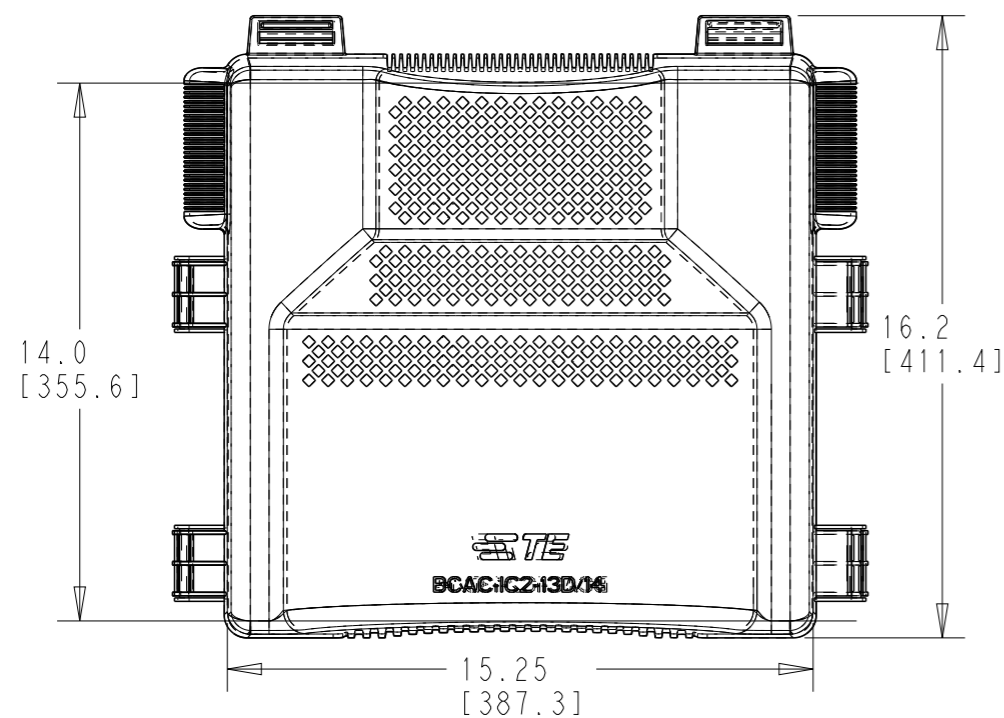
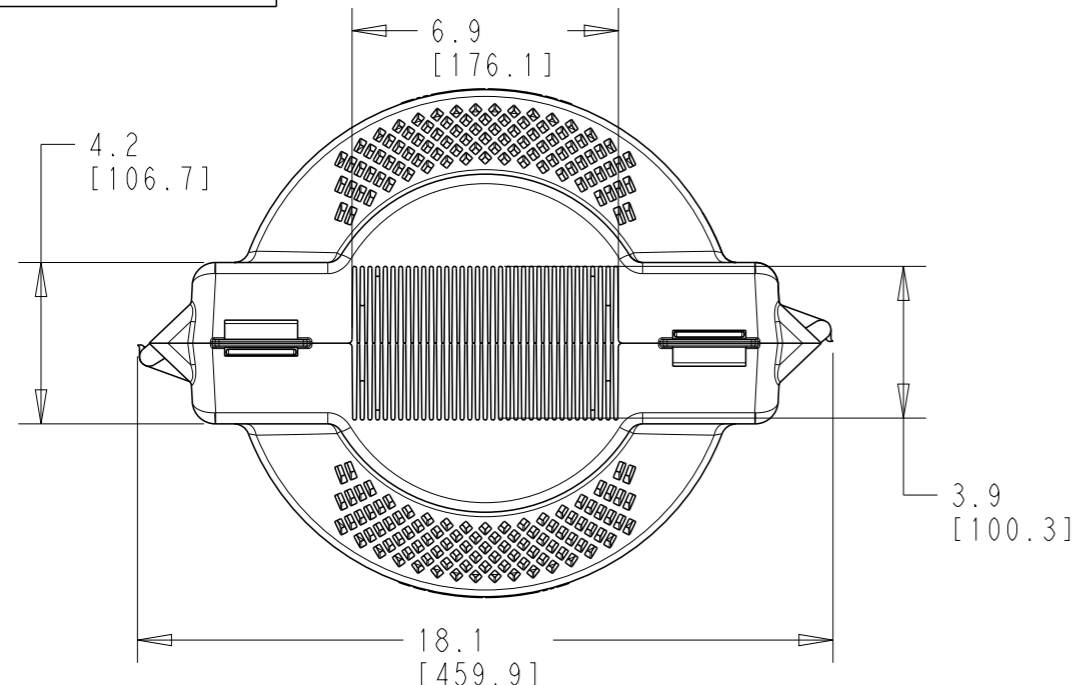


P	LTR	DESCRIPTION	DATE	DWN	APVD
	A	INITIAL RELEASE	09NOV2022	SL	LH

TCPN	DESCRIPTION
ES1111-000	BCAC-IC2-13D/14(B3)
ES1112-000	BCAC-G-IC2-13D/14(B3)
ES1308-000	BCAC-P-IC2-13D/14(B3)



NOTES:

- PARTS ARE KITTED 3 COVERS PER BOX. EACH COVER CONSISTS OF 2 HALVES. PII-BCAC-IC2-COVERS ALSO INCLUDED.
- EACH BOX SHALL BE LABELLED WITH PART DESCRIPTION, LOT NUMBER, QUANTITY, PART NUMBER, AND MANUFACTURING DATE.

THIS DRAWING IS A CONTROLLED DOCUMENT.		DWN	03NOV2022	TE Connectivity	
		CHK	09NOV2022		
		APVD	09NOV2022		
		NAME	BCAC-IC2-13D/14 BCAC-G-IC2-13D/14 BCAC-P-IC2-13D/14		
DIMENSIONS: in [mm]		TOLERANCES UNLESS OTHERWISE SPECIFIED:		PRODUCT SPEC	
		0 PLC	±-	APPLICATION SPEC	
		1 PLC	±0.1	-	
MATERIAL		2 PLC	±0.01	WEIGHT	
		3 PLC	±0.001	-	
		4 PLC	±0.0001	SIZE	
		ANGLES	±-	CAGE CODE	
		FINISH	-	DRAWING NO	
			-	RESTRICTED TO	
			-	A3 00779	
			-	G-E00002120	
			-	SCALE 1:5	
			-	SHEET 1 OF 1	
			-	REV A	
			-	CUSTOMER DRAWING	