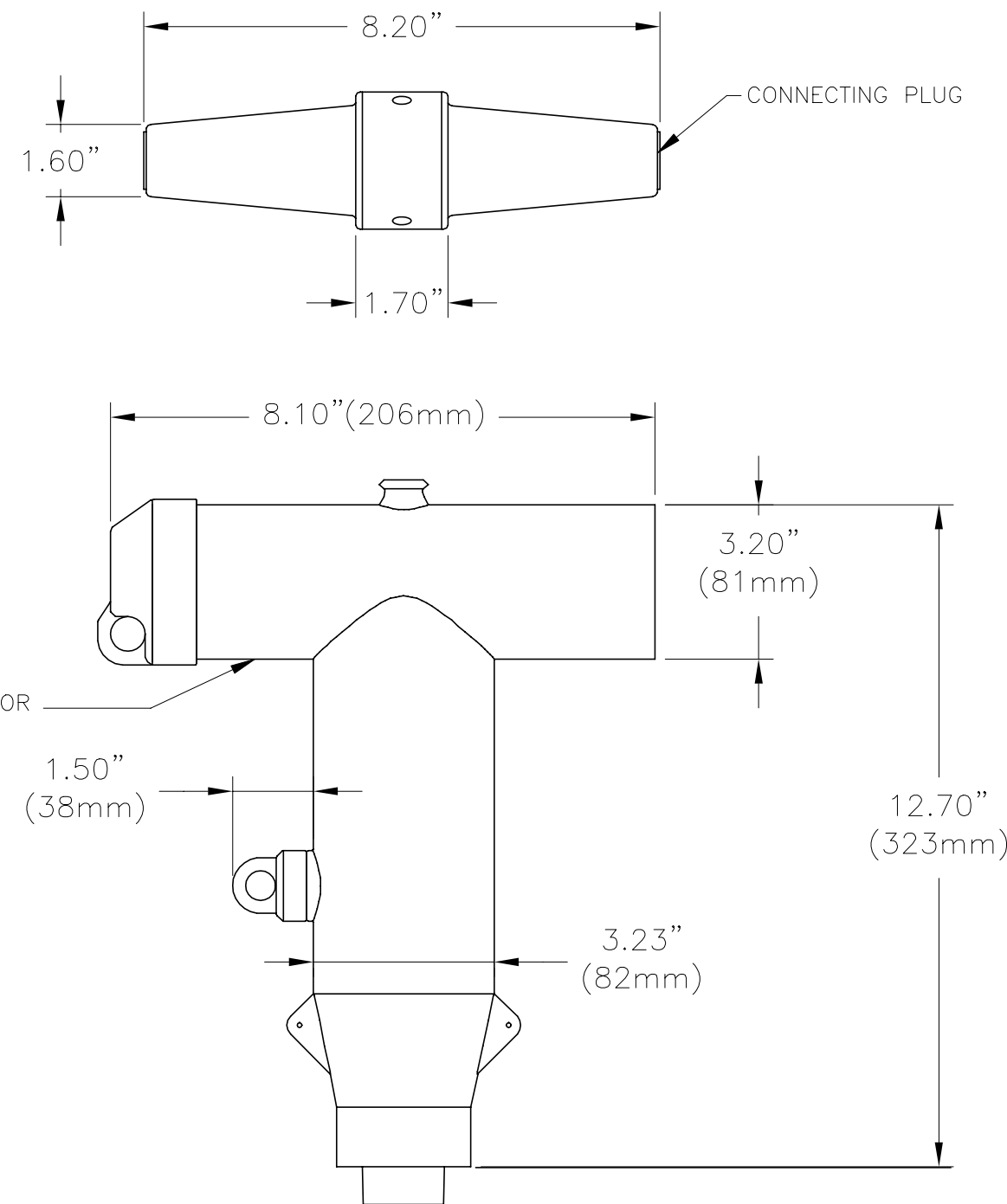
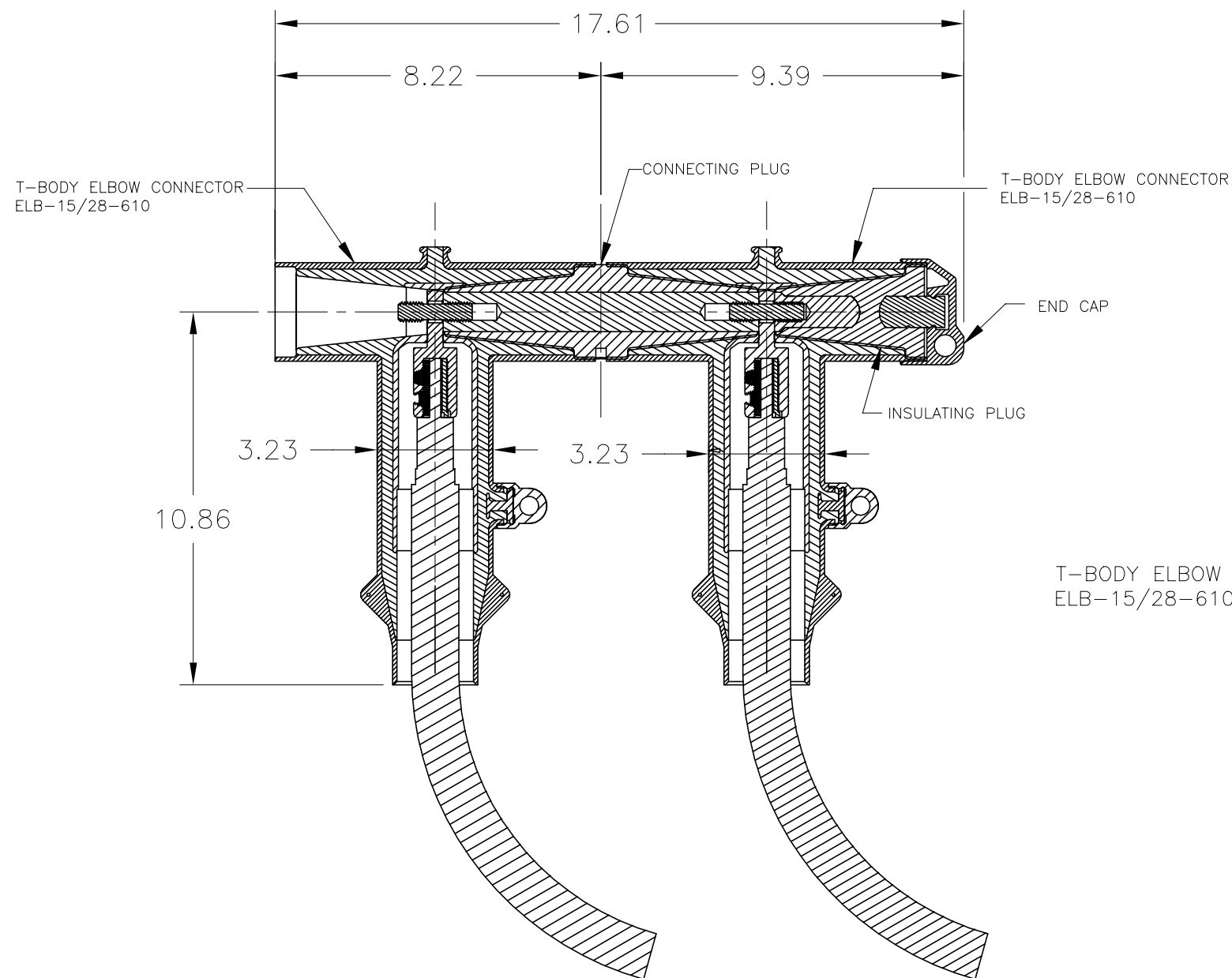


REVISIONS					
P	LTR	DESCRIPTION	DATE	DWN	APVD
1		NEW DRAWING	12MAY2020	KR	JV



THIS DRAWING IS A CONTROLLED DOCUMENT.		DWN	12MAY2020	<b>TE Connectivity</b>	
		CHK	12MAY2020		
		APVD	12MAY2020		
		PRODUCT SPEC			
		APPLICATION SPEC		NAME	
		WEIGHT		15-28kV Deadbreak Elbow, ELB-15/28-600	
DIMENSIONS: mm		TOLERANCES UNLESS OTHERWISE SPECIFIED:		SIZE	CAGE CODE
		0 PLC	± -	A3	00779
		1 PLC	± -	DRAWING NO	
		2 PLC	± -	ELB-15-28-600	
		3 PLC	± -	RESTRICTED TO	
		4 PLC	± -	-	
		ANGLES	± -	-	
MATERIAL		FINISH		SCALE	SHEET
-		-		NTS	1 OF 2
				REV	1
				CUSTOMER DRAWING	

Ordering Formula Example:

ELB-15/28-	1	2	3
35 kV Elbow	600 AMP with Test point	1.7" Insulation OD	1000 kcmil Stranded Cond.
= ELB-15/28-	610	K	1000

P	LTR	DESCRIPTION	DATE	DWN	APVD
-	-	SEE SHEET 1	-	-	-

ELB-15/28 Dead Break

Ordering Formula

= ELB-15/28-	1	2	3
--------------	---	---	---


1	CURRENT RATING	TEST POINT CODE
600	= 600 AMP WITHOUT test point	
610	= 600 AMP WITH test point	
900	= 900 AMP WITHOUT test point	
910	= 900 AMP WITH test point	

2	Cable Insulator O.D. Range	
Code	Inches	mm
A	.640 - .760	16.3 - 19.3
B	.720 - .845	18.3 - 21.5
C	.785 - .970	19.9 - 24.6
D	.910 - 1.065	23.1 - 27.1
E	.980 - 1.140	24.9 - 29.0
F	1.080 - 1.280	27.4 - 32.5
G	1.220 - 1.420	31.0 - 36.1
H	1.360 - 1.560	34.5 - 39.6
J	1.480 - 1.700	37.6 - 43.2
K	1.640 - 1.840	41.7 - 46.7
L	1.780 - 1.965	45.2 - 49.9

3	Compression Lugs   Conductor Size (Aluminum or Copper)			
	Code	Str/ Comp	Compact	Solid
1	1	1/0	1/0	1/0
2	2	2	2	2
10	1/0	2/0	2/0	2/0
20	2/0	3/0	3/0	3/0
30	3/0	4/0	4/0	4/0
40	4/0	250	-	-
250	250	300	-	-
300	300	350	-	-
350	350	400	-	-
400	400	450/500	-	-
450	450	500/550	-	-
500	500	600	-	-
550	550	650	-	-
600	600	700	-	-
650	650	750/800	-	-
750	-	900	-	-
800	800	900	-	-
900	900	1000	-	-
1000	1000	-	-	-
1100	1100	-	-	-
1250	1250	-	-	-

3	Copper ShearBolt & Conductor Size	
Code	Compression	Compact, Strand
-C1	2 - 4/0	
-C2	2/0 - 500	
-C3	300 - 750	
-C4	500 - 1000	
-C5	1000 - 1250	

3	Aluminum ShearBolt & Conductor Size	
Code	Compression	Compact, Strand
-A1	2 - 350	
-A2	350 - 750	
-A3	600 - 1000	
-A4	1000 - 1250	

THIS DRAWING IS A CONTROLLED DOCUMENT.		DWN 12MAY2020 RAGHAVENDRA K.	 TE Connectivity
		CHK 12MAY2020 VALENCIA, JORDI	
		APVD 12MAY2020 RIVA, CARLOS	NAME 15-28kV Deadbreak Elbow, ELB-15/28-600
DIMENSIONS: mm		PRODUCT SPEC	SIZE CAGE CODE DRAWING NO RESTRICTED TO
TOLERANCES UNLESS OTHERWISE SPECIFIED: 0 PLC ± - 1 PLC ± - 2 PLC ± - 3 PLC ± - 4 PLC ± - ANGLES ± -		APPLICATION SPEC	A3 00779 C-ELB-15-28-600
MATERIAL		WEIGHT	SCALE NTS SHEET 2 OF 2 REV 1
		CUSTOMER DRAWING	