

# **RM Series Evaluation Module User's Guide**

**Wireless made simple<sup>®</sup>**

**Warning:** Some customers may want Linx radio frequency (“RF”) products to control machinery or devices remotely, including machinery or devices that can cause death, bodily injuries, and/or property damage if improperly or inadvertently triggered, particularly in industrial settings or other applications implicating life-safety concerns (“Life and Property Safety Situations”).

**NO OEM LINX REMOTE CONTROL OR FUNCTION MODULE SHOULD EVER BE USED IN LIFE AND PROPERTY SAFETY SITUATIONS.** No OEM Linx Remote Control or Function Module should be modified for Life and Property Safety Situations. Such modification cannot provide sufficient safety and will void the product’s regulatory certification and warranty.

Customers may use our (non-Function) Modules, Antenna and Connectors as part of other systems in Life Safety Situations, but only with necessary and industry appropriate redundancies and in compliance with applicable safety standards, including without limitation, ANSI and NFPA standards. It is solely the responsibility of any Linx customer who uses one or more of these products to incorporate appropriate redundancies and safety standards for the Life and Property Safety Situation application.

**Do not use this or any Linx product to trigger an action directly from the data line or RSSI lines without a protocol or encoder/decoder to validate the data.** Without validation, any signal from another unrelated transmitter in the environment received by the module could inadvertently trigger the action.

**All RF products are susceptible to RF interference that can prevent communication.** RF products without frequency agility or hopping implemented are more subject to interference. This module does not have a frequency hopping protocol built in.

**Do not use any Linx product over the limits in this data guide.** Excessive voltage or extended operation at the maximum voltage could cause product failure. Exceeding the reflow temperature profile could cause product failure which is not immediately evident.

**Do not make any physical or electrical modifications to any Linx product.** This will void the warranty and regulatory and UL certifications and may cause product failure which is not immediately evident.

# Table of Contents

- 1 [Description](#)
- 2 [Ordering Information](#)
- 2 [Electrical Specifications](#)
- 3 [Pin Assignments](#)
- 3 [PCB Layout](#)
- 3 [Schematic](#)

## RM Series GPS Receiver Evaluation Module

# User's Guide

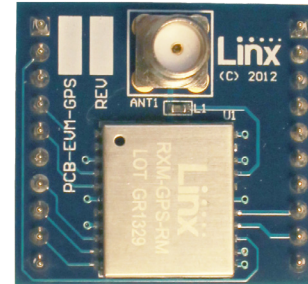


Figure 1: RM Series Evaluation Module

### Description

The RM Series GPS receiver module is a self-contained high-performance Global Positioning System receiver. Based on the MediaTek MT3337 chipset, it can simultaneously acquire on 66 channels and track on up to 22 channels. This gives the module fast lock times and high position accuracy even at low signal levels.

The module's exceptional sensitivity gives it superior performance, even in dense foliage and urban canyons. Its very low power consumption helps maximize runtimes in battery powered applications. The module outputs standard NMEA data messages through a UART interface. These features make it easy to integrate, even by engineers without previous RF or GPS experience. The Linx RM Series GPS modules offer a simple, efficient and cost-effective method of adding GPS capabilities to any product.

The evaluation module contains the surface mount RM Series GPS module, SMA connector and a ferrite bead (used to supply power to an external active antenna, such as the Linx SH Series active GPS antenna) on a single board with through-hole headers. This small board makes prototyping with the RM Series module very easy.

## Ordering Information

Ordering Information	
Part Number	Description
EVM-GPS-RM	RM Series Evaluation Module
RXM-GPS-RM	RM Series GPS Receiver Module
MDEV-GPS-RM	RM Series GPS Receiver Master Development System

Figure 2: Ordering Information

## Electrical Specifications

RM Series GPS Receiver Specifications						
Parameter	Symbol	Min.	Typ.	Max.	Units	Notes
Power Supply						
Operating Voltage	$V_{CC}$	3.0	3.3	4.3	VDC	
Supply Current	$I_{CC}$					
Peak				44	mA	1
Acquisition			14		mA	1
Tracking			12		mA	1
Standby			0.135		mA	1
Backup Battery Voltage	$V_{BAT}$	2.0		4.3	VDC	
Backup Battery Current	$I_{BAT}$		6		$\mu$ A	2
VOUT Output Voltage	$V_{OUT}$	2.7	2.8	2.9	VDC	
VOUT Output Current	$I_{OUT}$			30	mA	1
Antenna Port						
RF Impedance	$R_{IN}$		50		$\Omega$	
ENVIRONMENTAL						
Operating Temperature Range		-40		+85	$^{\circ}$ C	
Storage Temperature Range		-40		+85	$^{\circ}$ C	
1. $V_{CC} = 3.3V$ , without active antenna, position fix is available 2. $V_{CC} = 0V$						

Figure 3: Electrical Specifications

**Warning:** This product incorporates numerous static-sensitive components. Always wear an ESD wrist strap and observe proper ESD handling procedures when working with this device. Failure to observe this precaution may result in module damage or failure.

## Pin Assignments

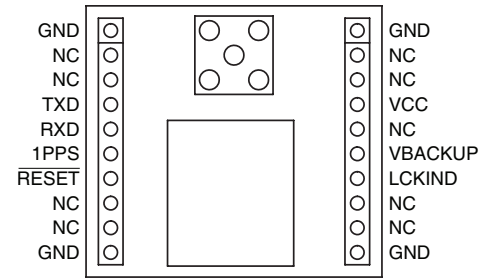


Figure 4: EVM-GPS-RM Pin Assignments

## PCB Layout

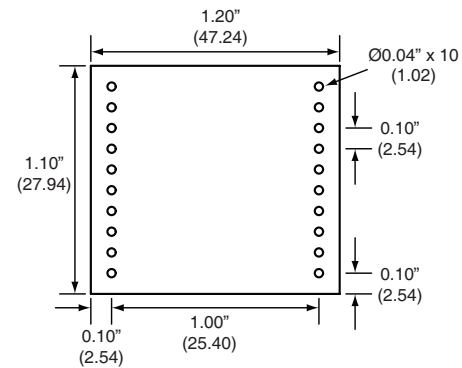


Figure 5: EVM-GPS-RM PCB Layout Dimensions

## Schematic

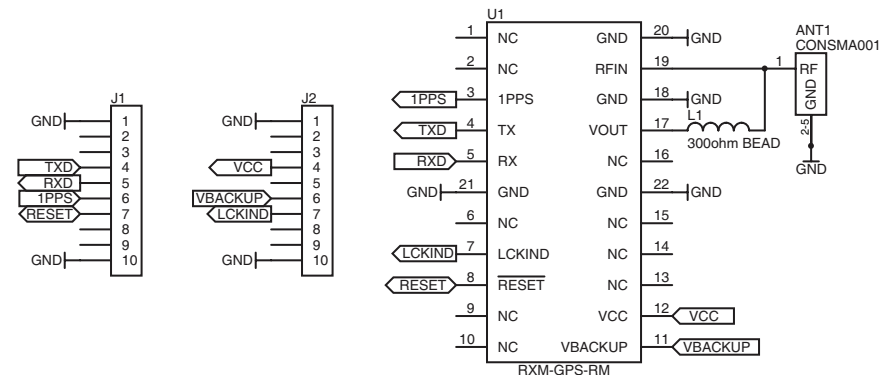


Figure 6: EVM-GPS-RM Schematic

---

## TE TECHNICAL SUPPORT CENTER

USA:	+1 (800) 522-6752
Canada:	+1 (905) 475-6222
Mexico:	+52 (0) 55-1106-0800
Latin/S. America:	+54 (0) 11-4733-2200
Germany:	+49 (0) 6251-133-1999
UK:	+44 (0) 800-267666
France:	+33 (0) 1-3420-8686
Netherlands:	+31 (0) 73-6246-999
China:	+86 (0) 400-820-6015

## te.com

TE Connectivity, TE, TE connectivity (logo), Linx and Linx Technologies are trademarks owned or licensed by the TE Connectivity Ltd. family of companies. All other logos, products and/or company names referred to herein might be trademarks of their respective owners.

The information given herein, including drawings, illustrations and schematics which are intended for illustration purposes only, is believed to be reliable. However, TE Connectivity makes no warranties as to its accuracy or completeness and disclaims any liability in connection with its use. TE Connectivity's obligations shall only be as set forth in TE Connectivity's Standard Terms and Conditions of Sale for this product and in no case will TE Connectivity be liable for any incidental, indirect or consequential damages arising out of the sale, resale, use or misuse of the product. Users of TE Connectivity products should make their own evaluation to determine the suitability of each such product for the specific application.

TE Connectivity warrants to the original end user customer of its products that its products are free from defects in material and workmanship. Subject to conditions and limitations TE Connectivity will, at its option, either repair or replace any part of its products that prove defective because of improper workmanship or materials. This limited warranty is in force for the useful lifetime of the original end product into which the TE Connectivity product is installed. Useful lifetime of the original end product may vary but is not warranted to exceed one (1) year from the original date of the end product purchase.

©2023 TE Connectivity. All Rights Reserved.

06/23 Original

---