

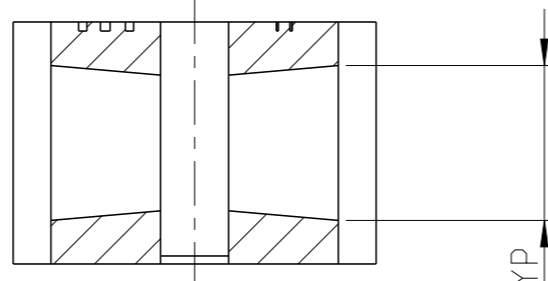
REVISIONS

P	LTR	DESCRIPTION	DATE	DWN	APVD
	A	INITIAL RELEASE	03JAN2017	VNB	CF

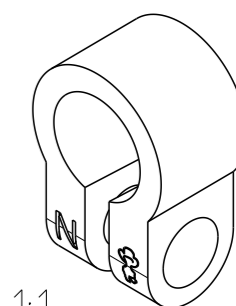
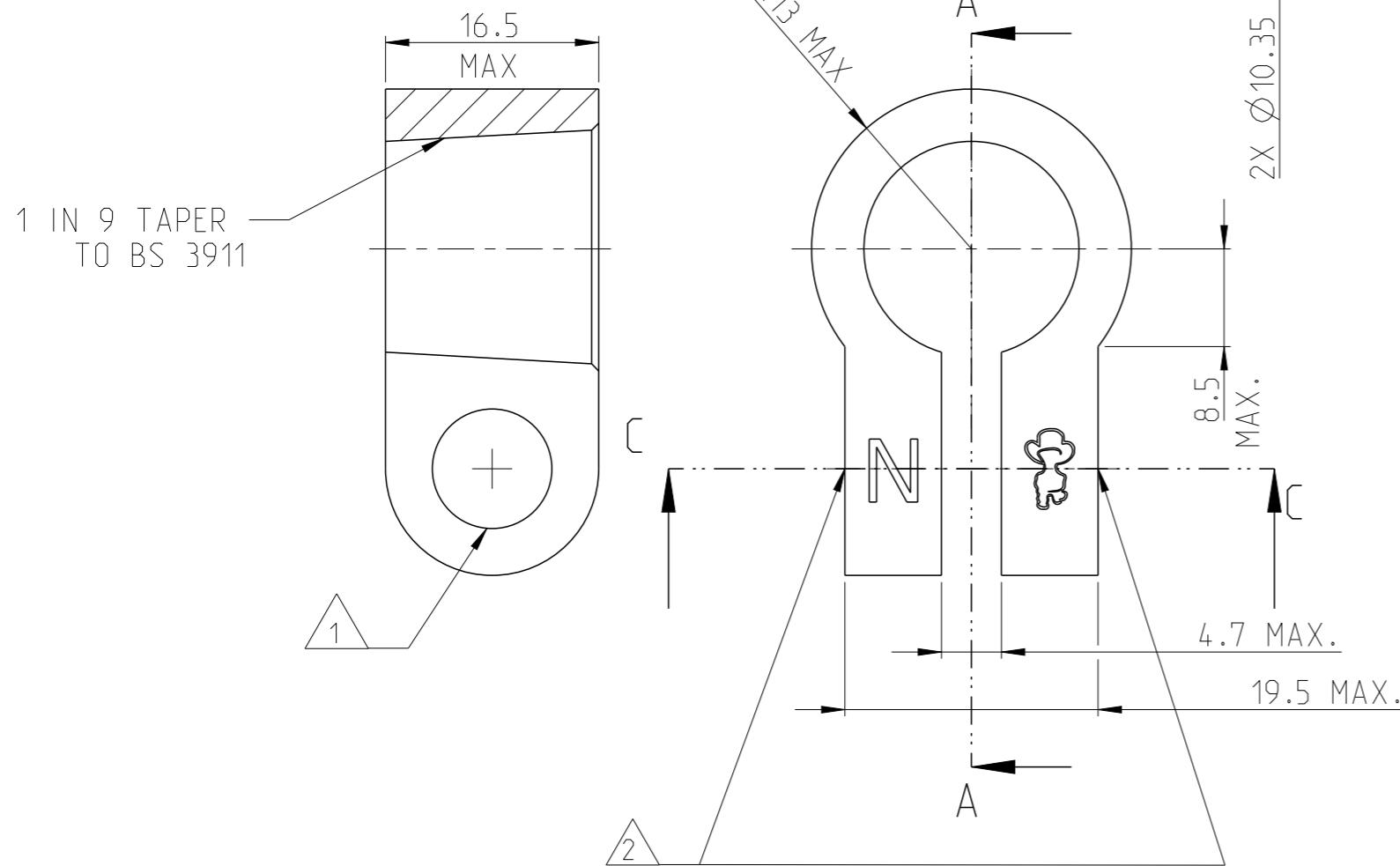
NOTES:

- 1 STANDARD NEGATIVE TAPER CLAMP
- 2 ASSOCIATED PARTS:
NEGATIVE LEAD CONNECTORS ONLY
(FOR TAPER EITHER SIDE)
- 3 REPLACES OLD DEUTSCH DRAWING D303768
(ENVELOPE DRAWING)

SECTION C-C



SECTION A-A



SCALE 1:1

HC5884	1	BRASS	-	BATTERY POST TERMINAL CLAMP -VE MKII	A	1
TE ORDER NO.	QUANTITY	MAT.	COLOUR SURFACE	DESCRIPTION	REV.	ITEM
THIS DRAWING IS A CONTROLLED DOCUMENT.				TE Connectivity		
DIMENSIONS: mm		TOLERANCES UNLESS OTHERWISE SPECIFIED:		NAME: BATTERY POST TERMINAL CLAMP -VE MKII		
		 0 PLC ± 1 PLC ± 2 PLC ± 3 PLC ± 4 PLC ± ANGLES ±0.5° ±0.3		DWN 03JAN2017 VIJETH BHARADWAJ CHK 04JAN2017 PRAVEENA V APVD 04JAN2017 V V BIDI PRODUCT SPEC - APPLICATION SPEC - WEIGHT 44.2g		
MATERIAL: SEE TABLE		FINISH: TIN PLATED		SIZE: A3	CAGE CODE: 00779	DRAWING NO: HC5884
CUSTOMER DRAWING				SCALE: 2:1	SHEET: 1 OF 1	REV: A