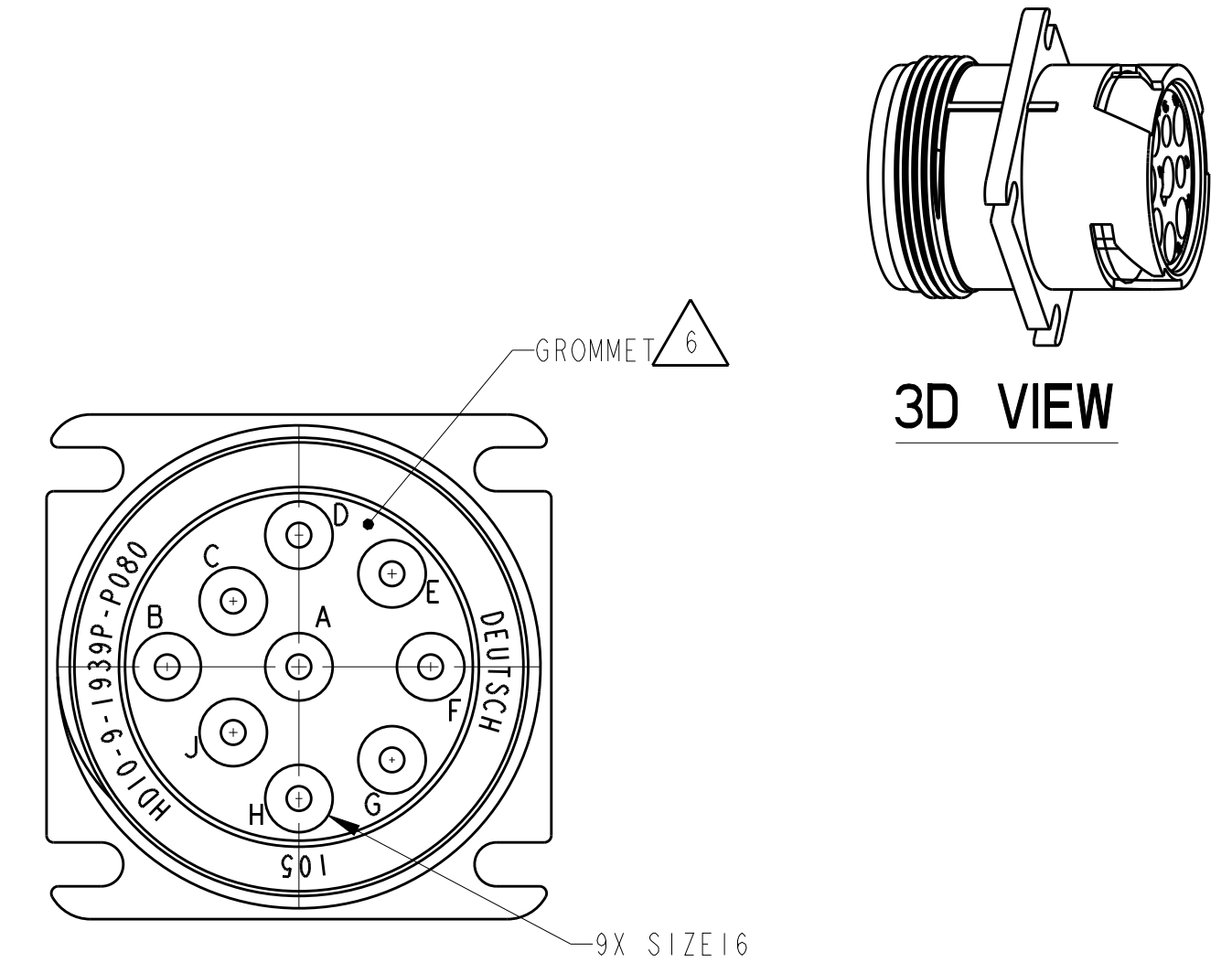
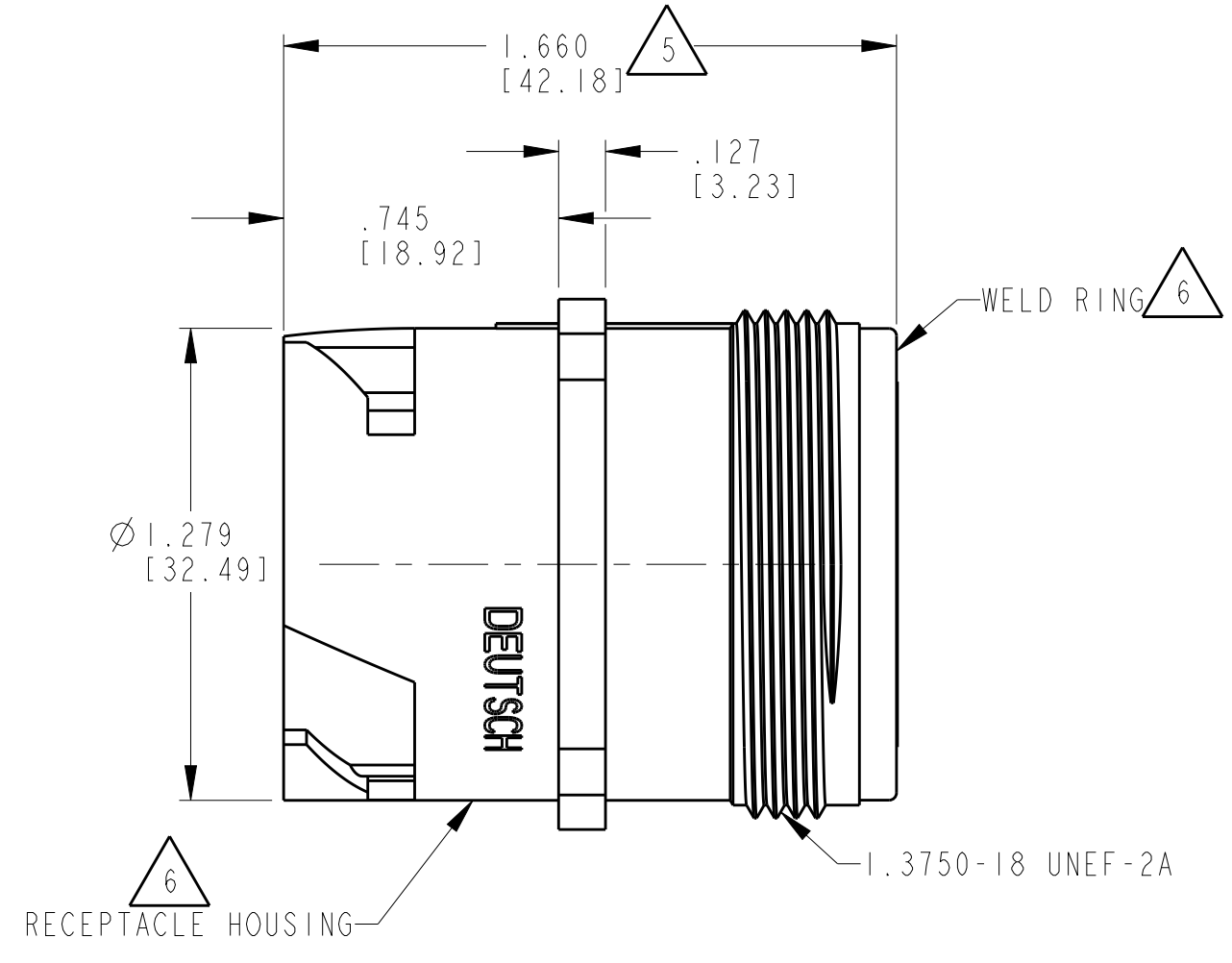
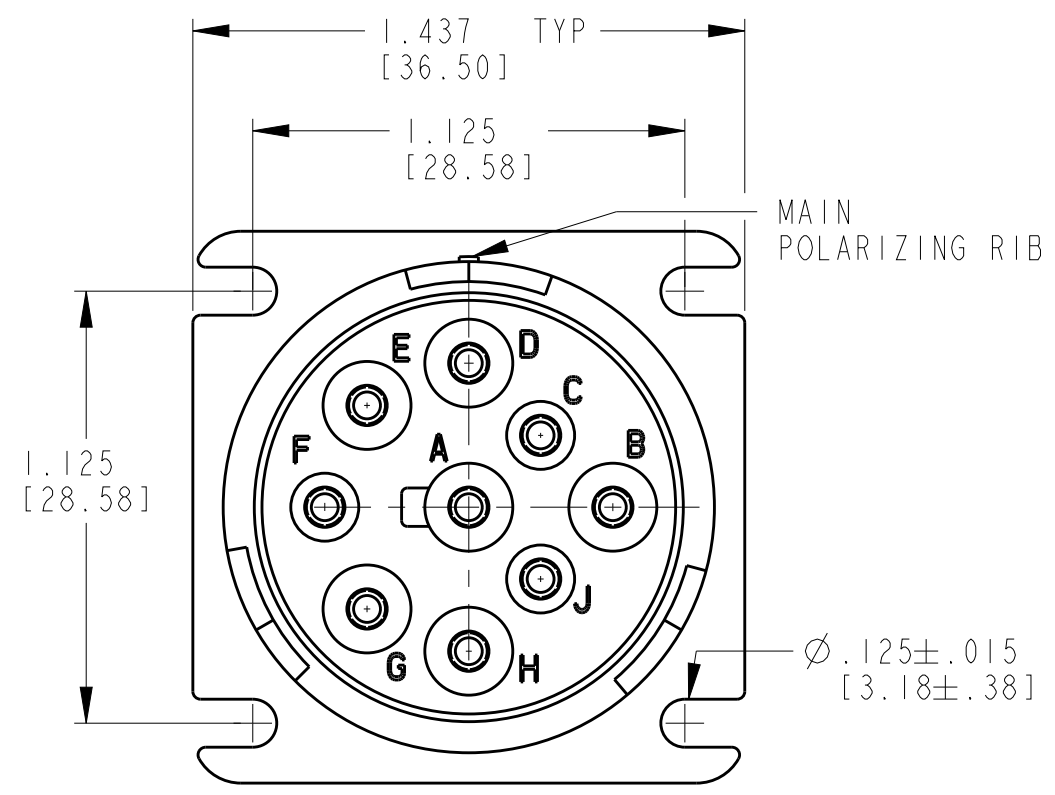


THIS DRAWING IS UNPUBLISHED. RELEASED FOR PUBLICATION 2013
 © COPYRIGHT 2013 BY TE CONNECTIVITY. ALL RIGHTS RESERVED.

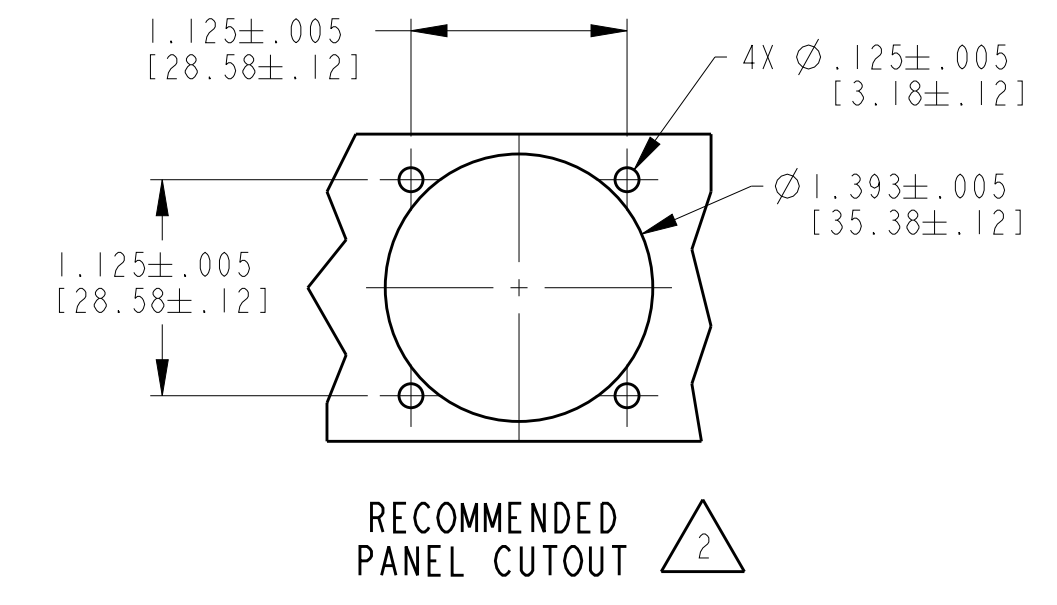
LOC		DIST		REVISIONS			
P	LTR	DESCRIPTION	DATE	DWN	APVD		
NC		NEW RELEASE PER E.O. P21126	8NOV2011	-	RDR		
A		REVISED PER ECO-14-002953	29JAN2014	PV	DM		



3D VIEW

- 7. P080 MODIFICATION: SAE J1939-13, TYPE 2,
- 6. MATERIAL: RECEPTACLE HOUSING AND WELD RING: PA 15%GF (GREEN)
GROMMET: SILICONE (RED)
- 5. OVERALL DIMENSION DOES NOT INCLUDE RUBBER GROMMET.
- 4. THIS RECEPTACLE MATES WITH FOLLOWING PLUGS (X=SEAL TYPE).
HD16-9-1939SX-P080
HD17-9-1939SX-P080
- 3. SEE DRAWING 0425-015-0000 FOR CONTACT AND WIRE PERFORMANCE AND APPLICATION CHARACTERISTICS.
- 2. RECOMMENDED PANEL THICKNESS: .062 [1.57] TO .188 [4.77].
- 1. SEE TABLE FOR USABLE WIRE RANGE AND INSULATION RANGE

PART NUMBER	SEAL TYPE	CONTACT SIZE	MIN. INSUL. O.D.	MAX. INSUL. O.D.	WIRE RANGE [mm ²]
HD10-9-1939P-P080	NORMAL	16	.100 [2.54]	.150 [3.81]	14-20 AWG [2.0-.50]
HD10-9-1939PE-P080	E	16	.053 [1.35]	.120 [3.05]	14-20 AWG [2.0-.50]



RECOMMENDED PANEL CUTOUT (2)

NOTES:

THIS DRAWING IS A CONTROLLED DOCUMENT.		DWN 10AUG2011 I. GRANTCHAROVA	TE Connectivity	
DIMENSIONS: INCHES [mm]		CHK 17SEP2013 I. GRANTCHAROVA		
		APVD 19SEP2013 D. MEYER	PRODUCT SPEC	
TOLERANCES UNLESS OTHERWISE SPECIFIED:		APPLICATION SPEC		
0 PLC ±		WEIGHT 35.65 (g)		
1 PLC ±		Customer Drawing		
2 PLC ±		SCALE		
3 PLC ±.025		SHEET OF		
4 PLC ±		REV A		
ANGLES ±0° 30' 0"		RESTRICTED TO		
FINISH		SIZE CAGE CODE DRAWING NO		
6		A2 00779 C-HD10-9-1939PX-P080		