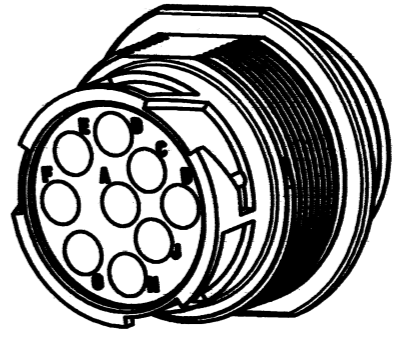
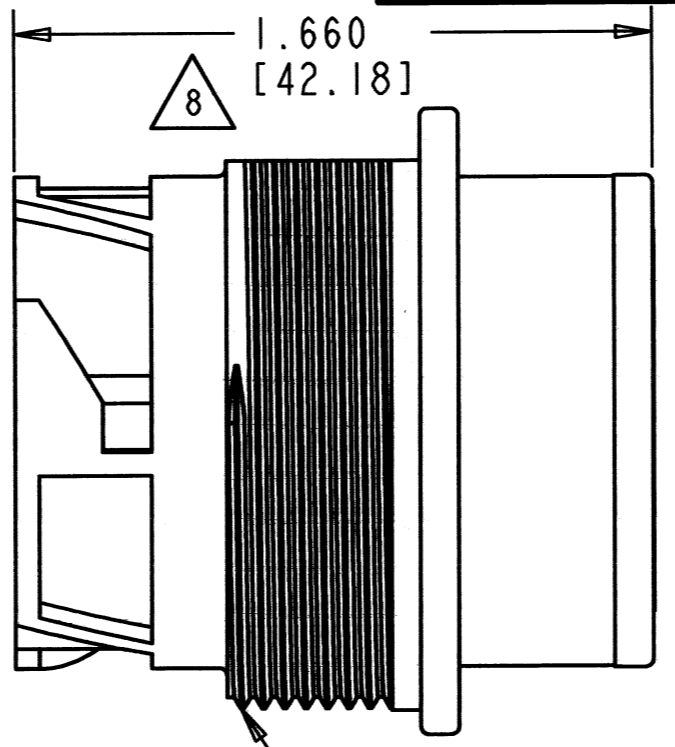
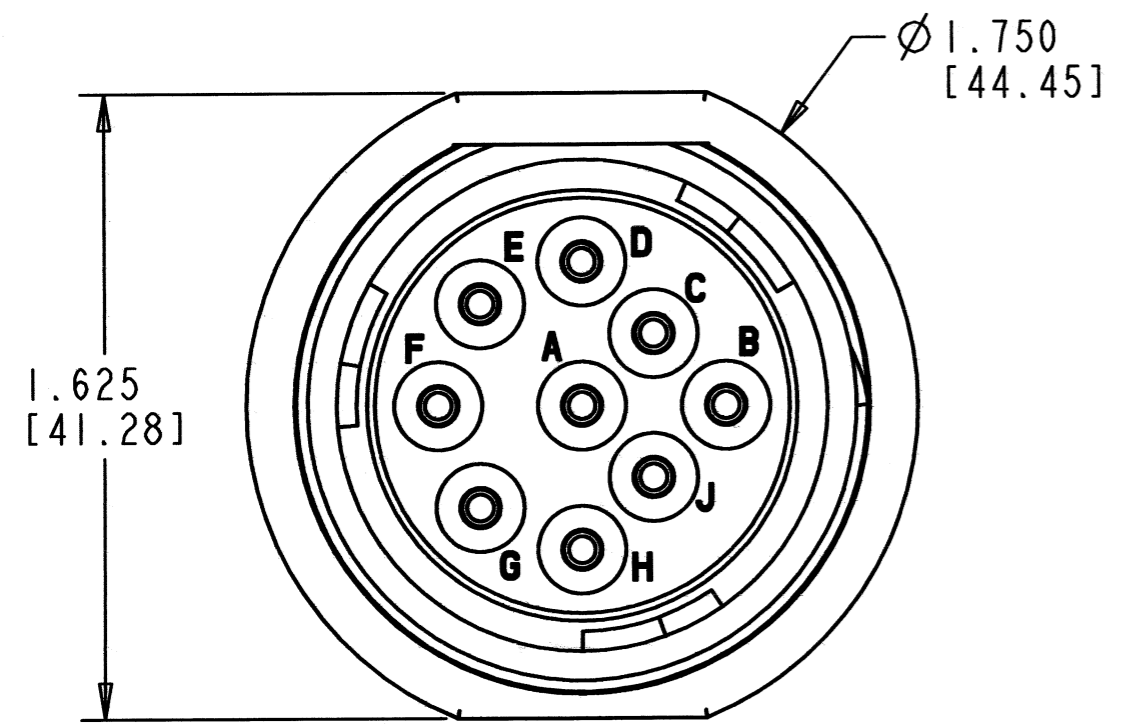


REV  
NC HD10-9-96P\*-BE09

REVISIONS			
SYM	DESCRIPTION	DATE	APPROVED
NC	REVISED AND REPLACES PREVIOUS		
	RELEASED PER E.O. P21473	10/3/12	DM

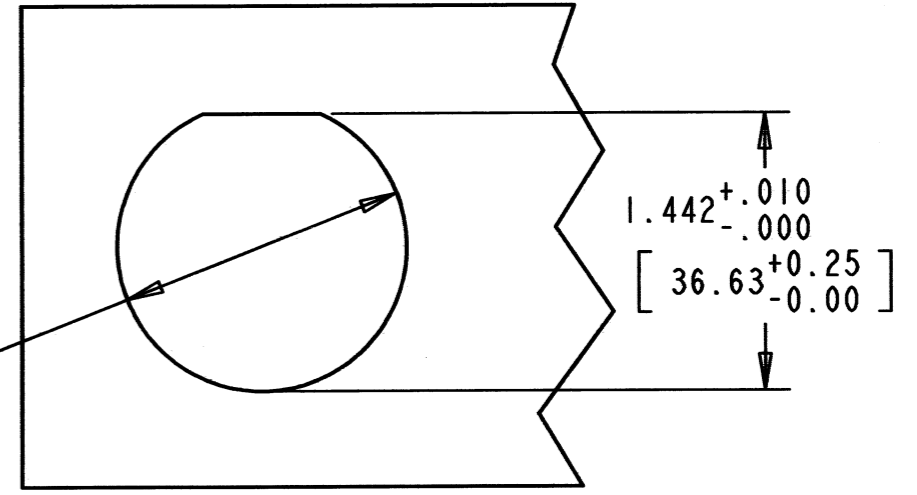


3D VIEW

- 10. \* = SEAL TYPE ('BLANK', E)
- 9. MATERIAL: SHELL: PLASTIC; SEAL: RUBBER.
- 8. OVERALL DIMENSION DOES NOT INCLUDE RUBBER GROMMET.
- 7. THIS RECEPTACLE MATES WITH HD16-9-96S\*-\*\*\*\* PLUG (\* = SEAL TYPE, \*\*\*\* = ALL MODIFICATIONS).
- 6. FOR CONTACTS AND WIRES PERFORMANCE AND APPLICATION CHARACTERISTICS SEE ENVELOPE DRAWING 0425-015-0000. THIS RECEPTACLE USES PIN CONTACTS ONLY.
- 5. USE PANEL NUT P/N 2411-002-1805 AND LOCK WASHER P/N 2414-002-1886. PANEL NUT MOUNTING TORQUE: 45-55 IN-LB [5.1-6.1 N-M].
- 4. RECOMMENDED PANEL THICKNESS: .062[1.57] TO .188[4.77].
- 3. ALL DIMENSIONS ARE IN INCHES [MILLIMETERS]. DIMENSION TOLERANCE: ±.025[±.63]. UNLESS OTHERWISE SPECIFIED.
- 2. THIS CONNECTOR WILL ACCOMMODATE THE FOLLOWING WIRE INSULATION DIAMETERS:

SEAL TYPE	MINIMUM O.D.	MAXIMUM O.D.
NORMAL (BLANK)	.100 [2.54]	.150 [3.81]
E	.053 [1.35]	.120 [3.05]

NOTES:  
1. CONSULT FACTORY FOR ELECTRICAL AND MATERIAL SPECIFICATIONS.



RECOMMENDED PANEL CUTOUT

SIGNATURE & DATE	
DR	A. MALAGON 16DEC09
CHK	B. B. 10/2/2012
PE	B. B. 10/2/12
APPD	D. M. 10/3/12
SCALE	NONE WT

RECEPTACLE CONNECTOR  
ARRANGEMENT 9-96  
D-HOLE PANEL MOUNT  
COLOR: GREY  
HD10 SERIES  
ENVELOPE

EP	MATL. CODE
3850 INDUSTRIAL AVE. HEMET, CA 92545	
<b>B</b> HD10-9-96P*-BE09	
DWG SIZE	CODE 11139 SHEET   OF