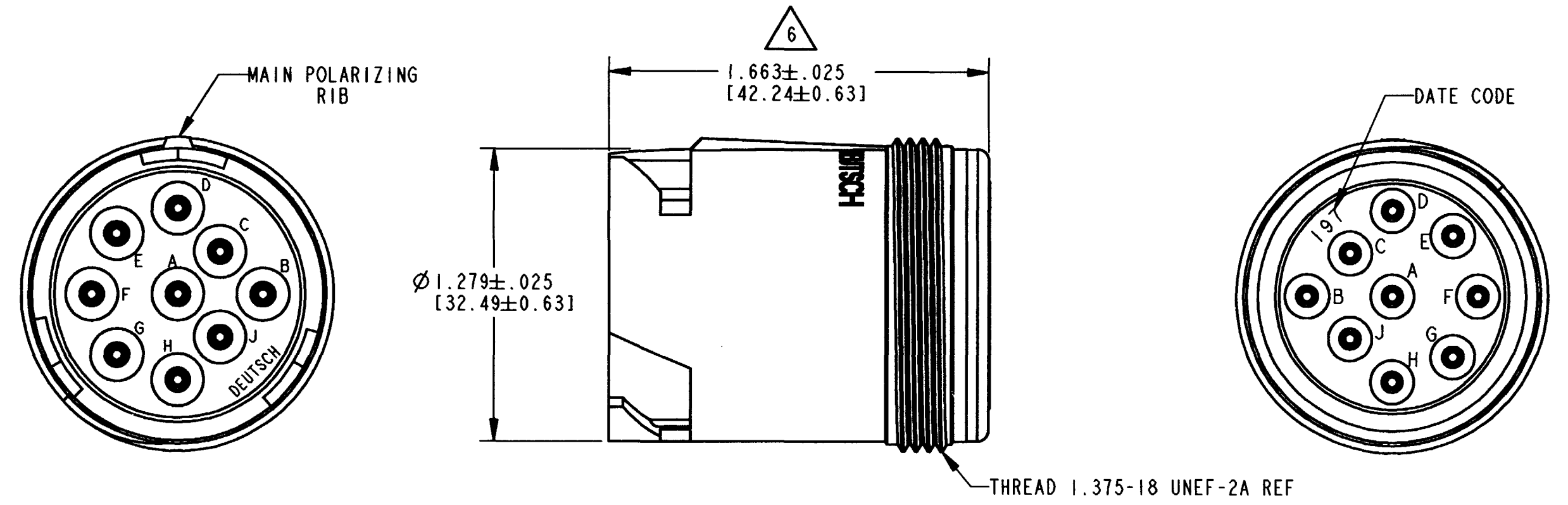


| | | | | |
|----------|-----------------------------|-----------|----------|--|
| REV A | HD14-9-96PE | REVISIONS | | |
| SYM | DESCRIPTION | DATE | APPROVED | |
| NC | NEW RELEASE PER E.O. P15296 | 6/16/97 | J.E.N. | |
| A | REVISED PER E.O. P18371 | 10-28-03 | RDR | |
| | | | | |



- 4. FOR PERFORMANCE AND APPLICATION CHARACTERISTICS OF SOLID OR STAMPED AND FORMED CONTACTS AND WIRES, SEE ENVELOPE DRAWING 0425-015-0000.
- 3. THIS CONNECTOR WILL ACCOMMODATE THE FOLLOWING WIRE INSULATION DIAMETERS:

| CONTACT SIZE | MINIMUM O.D. | MAXIMUM O.D. | AWG WIRE GAGE RANGE [mm ²] |
|--------------|--------------|--------------|--|
| 16 | .053 [1.35] | .120 [3.05] | 20 THRU 14 [.5 - 2.0] |

- 2. ALL DIMENSIONS ARE INCHES [MILLIMETERS].
- 1. CONSULT FACTORY FOR ELECTRICAL AND MATERIAL SPECIFICATIONS.

- 7. MATERIAL: SHELL: PLASTIC; SEAL: RUBBER.
- 6. OVERALL DIMENSION DOES NOT INCLUDE RUBBER GROMMET.
- 5. THIS RECEPTACLE MATES WITH HD16-9-96S* PLUG (* = SEAL TYPE).

NOTES:

| | | | | | |
|------------------|------------------------------------|---|---|--|--|
| SIGNATURE & DATE | | INLINE RECEPTACLE CONNECTOR WITH REDUCED "E" WIRE SEALS HD10 SERIES ENVELOPE | CP | MATL. CODE | |
| DR | X. SANCHEZ 08NOV02 | | The Deutsch Company DEUTSCH I. P. D. 3850 INDUSTRIAL AVE. HEMET, CALIF. 92545 | | |
| CHK | <i>James C. [unclear] 10/27/02</i> | | B <small>DWG SIZE</small> | HD14-9-96PE <small>CODE 11139 SHEET OF </small> | |
| PE | <i>R. [unclear] 10-27-03</i> | | | | |
| APPD | <i>R. [unclear] 10-28-03</i> | | | | |
| SCALE | NONE | WT | | | |