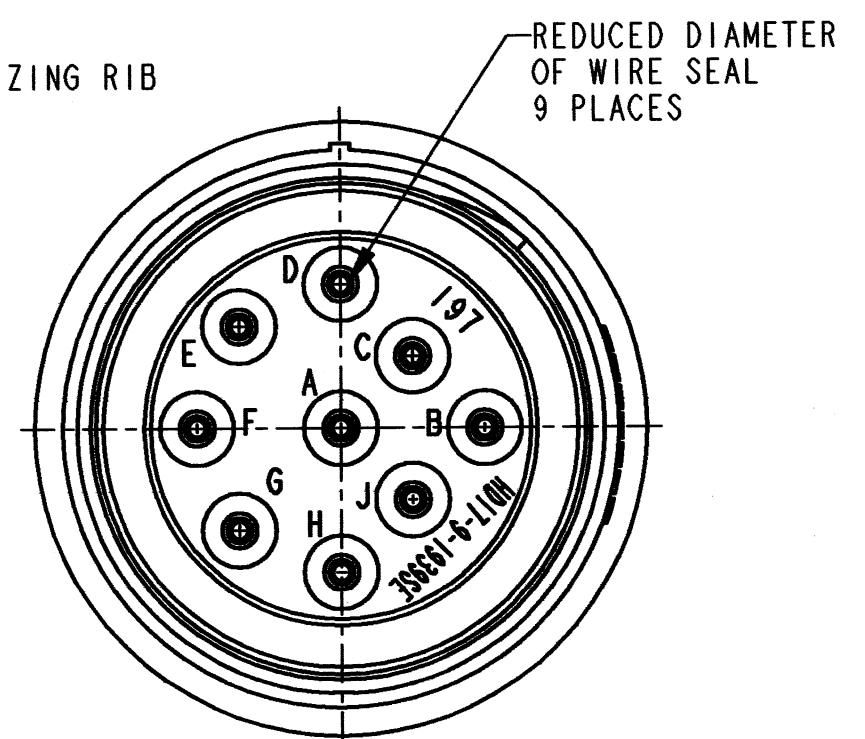
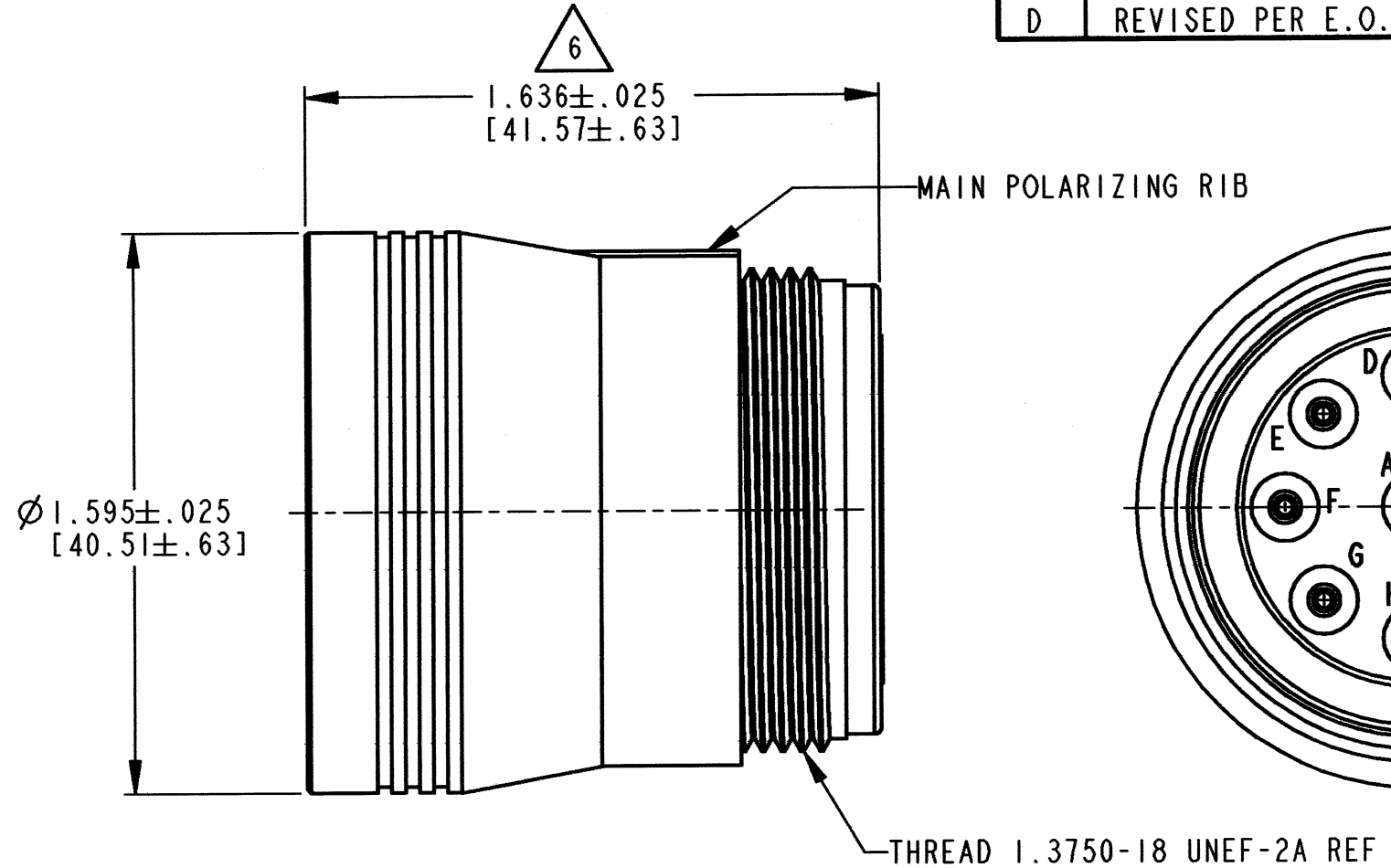
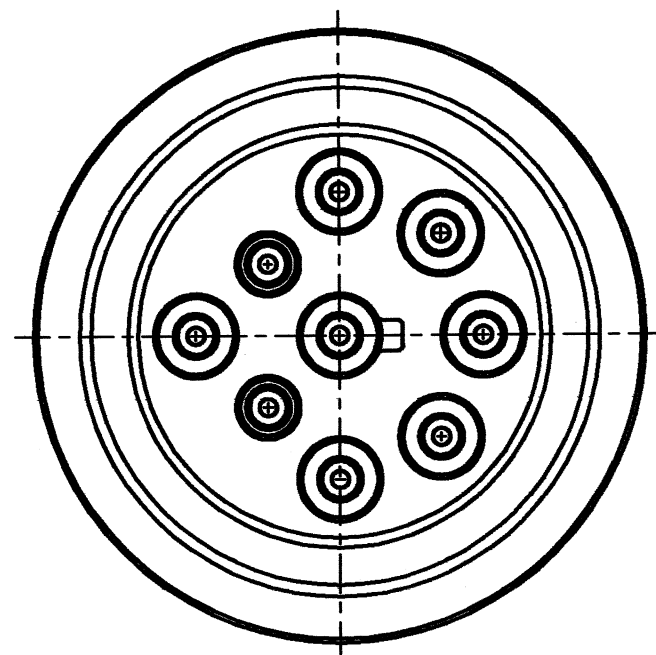




REV
D HD17-9-1939SE

REVISIONS			
SYM	DESCRIPTION	DATE	APPROVED
A	REVISED PER E.O. P15192	01/07/97	R.D.R.
B	REVISED PER E.O. P16453	12/17/99	R.D.R.
C	REVISED PER E.O. P17740	4/26/02	R.D.R.
D	REVISED PER E.O. P20516	5-27-10	RDR



4. FOR "PERFORMANCE AND APPLICATION CHARACTERISTICS OF SOLID/STAMPED AND FORMED CONTACTS AND WIRES", SEE ENVELOPE DRAWING 0425-015-0000. THIS PLUG USES SOCKET CONTACTS ONLY.

3. ALL DIMENSIONS ARE IN INCHES [MILLIMETERS].

2. THIS CONNECTOR SERIES WILL ACCOMMODATE THE FOLLOWING WIRE INSULATION DIAMETERS:

CONTACT SIZE	MINIMUM O.D.	MAXIMUM O.D.
16	.053 [1.35]	.120 [3.05]

1. CONSULT FACTORY FOR ELECTRICAL AND MATERIAL SPECIFICATIONS.

NOTES:

7. MATERIAL: SHELL: PLASTIC; SEAL: RUBBER.

6. OVERALL DIMENSION DOES NOT INCLUDE RUBBER GROMMET.

5. THIS PLUG MATES WITH HD10-9-1939P*-**** AND HD14-9-1939P*-**** RECEPTACLES (* = SEAL TYPE, **** = ALL MODIFICATIONS).

SIGNATURE & DATE	
DR	J. NORRIS 9/11/96
CHK	<i>[Signature]</i> 5/25/10
PE	<i>[Signature]</i> 5/20/10
APPD	<i>[Signature]</i> 5-26-10
SCALE	NONE WT

PLUG CONNECTOR
HD10 SERIES
ARR. 9-1939
"E" SEAL
COLOR: BLACK

ENVELOPE

EP	MATL. CODE
3850 INDUSTRIAL AVE. HEMET, CA 92545	
B	HD17-9-1939SE
DWG SIZE	CODE 11139 SHEET OF