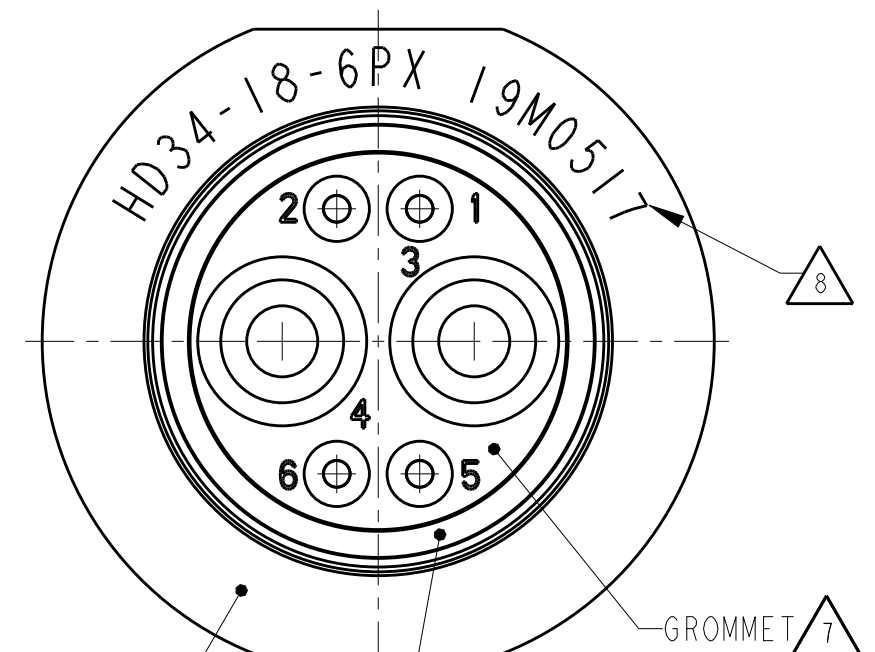
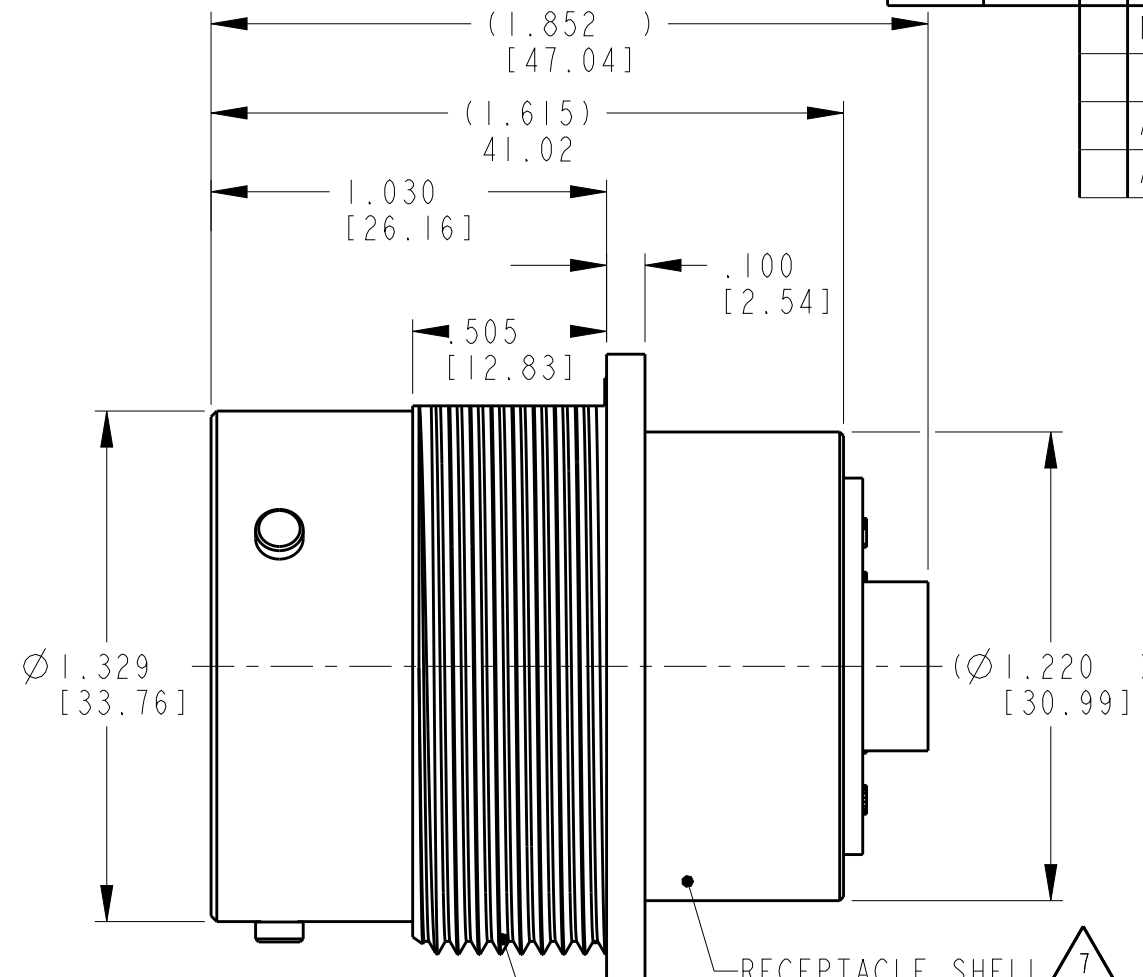
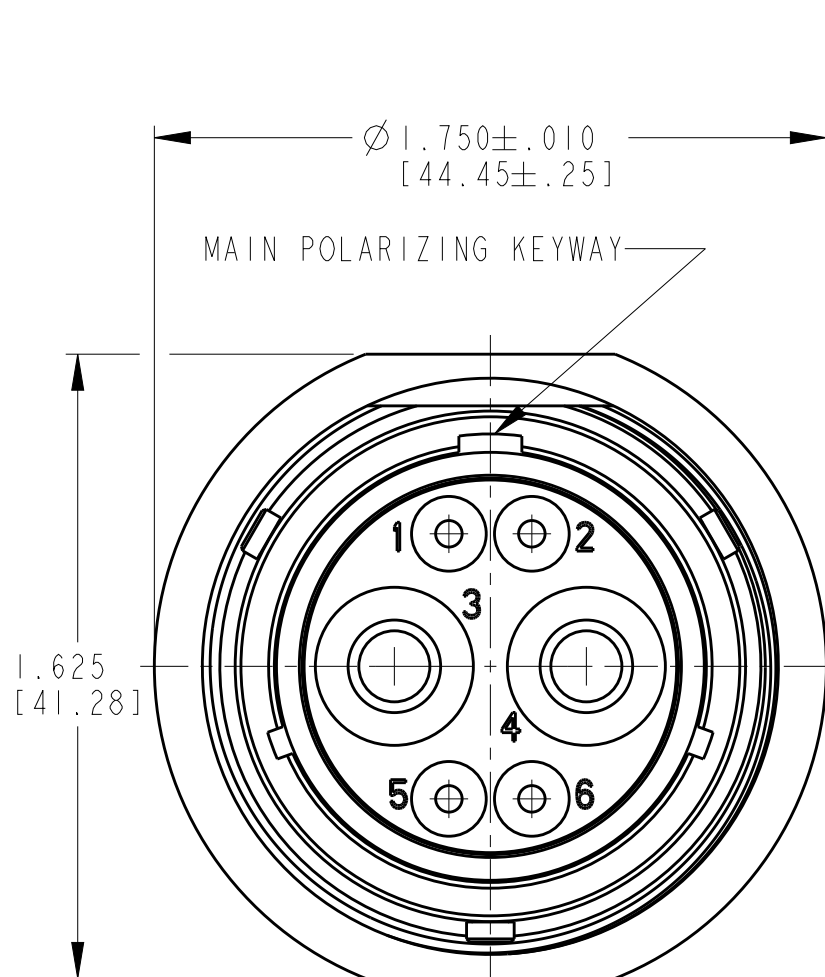
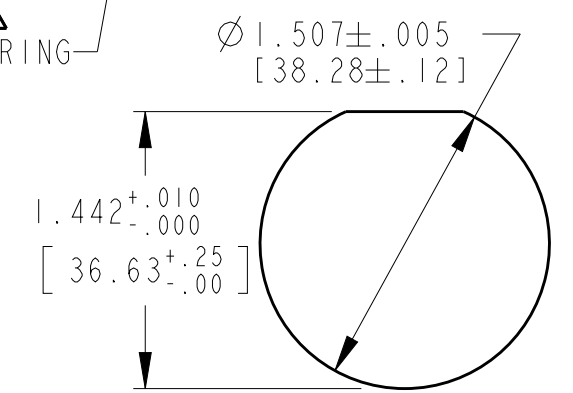


LOC	DIST	REVISIONS					
		P	LTR	DESCRIPTION	DATE	DWN	APVD
-	-		NC	NEW RELEASE PER E.O. PI7330	02AUG2001	-	RDR
			A	REVISED PER E.O. PI9718	21FEB2001	-	RDR
			A1	REVISED PER ECO-15-001798	19MAR2015	VNB	DM
			A2	REVISED PER PCN E-20-000705	27JAN2020	PK	DM



- 6. FOR CONTACTS AND WIRES PERFORMANCE AND APPLICATION CHARACTERISTICS SEE ENVELOPE DWG. 0425-015-0000.
- 5. WHEN X = N: NORMAL SEAL
WHEN X = E: REDUCED DIAMETER E-SEAL
- 4. THIS RECEPTACLE MATES WITH FOLLOWING PLUG HD36-18-6SX-XXXX (X= TYPE OF SEAL, XXXX= ALL MODIFICATIONS)
- 3. RECOMMENDED PANEL THICKNESS: .062 [1.58] TO .1875 [4.76].
- 2. SEE TABLE FOR USABLE WIRE RANGE AND INSULATION RANGES:

- 8. DATE CODE: IDENTIFIES THE YEAR, MONTH, DAY AND HOUR OF ASSEMBLY.
YEAR: FIRST AND SECOND DIGITS. (14=2014)
MONTH: THIRD DIGIT, EXCLUDING I.A=JAN., B=FEB., C=MARCH... (K=OCT.)
DAY: FOURTH AND FIFTH DIGITS (14=14th DAY)
HOUR: SIXTH AND SEVENTH DIGITS (11=11AM)
- 7. MATERIAL:
RECEPTACLE HOUSING: 6061-T6 ALUMINIUM ALLOY
SWAGE RING: PA 15%GF (GREEN FOR N-SEAL, BLUE FOR E-SEAL)
GROMMET: SILICONE VMQ (RED)



5	TYPE SEAL	CONTACT SIZE	MIN. INSULATION O.D.	MAX. INSULATION O.D.	WIRE GAUGE AWG [mm ²]	6
	N	16	.100 [2.54]	.134 [3.40]	14-20 [2.0-0.5mm ²]	
	E	16	.053 [1.35]	.120 [3.05]	14-20 [2.0-0.5mm ²]	
	N OR E	4	.261 [6.63]	.292 [7.42]	6 [13mm ²]	

1. CONSULT FACTORY FOR ELECTRICAL AND MATERIAL SPECIFICATIONS.

NOTES:

THIS DRAWING IS A CONTROLLED DOCUMENT.

DWN X. SANCHEZ 27JUN2001	 TE Connectivity	NAME	
CHK A. ROLINSKI 19JUL2001		RECEPTACLE CONNECTOR	
APVD S. BEARD 01AUG2001		18-6 ARR.	
PRODUCT SPEC 108-151014		BAYONET COUPLING	
APPLICATION SPEC 114-151014	SIZE A3	CAGE CODE -	DRAWING NO. HD34-18-6PX
WEIGHT 50g	SCALE NONE		SHEET 1 OF 1
Customer Drawing	REV A2		