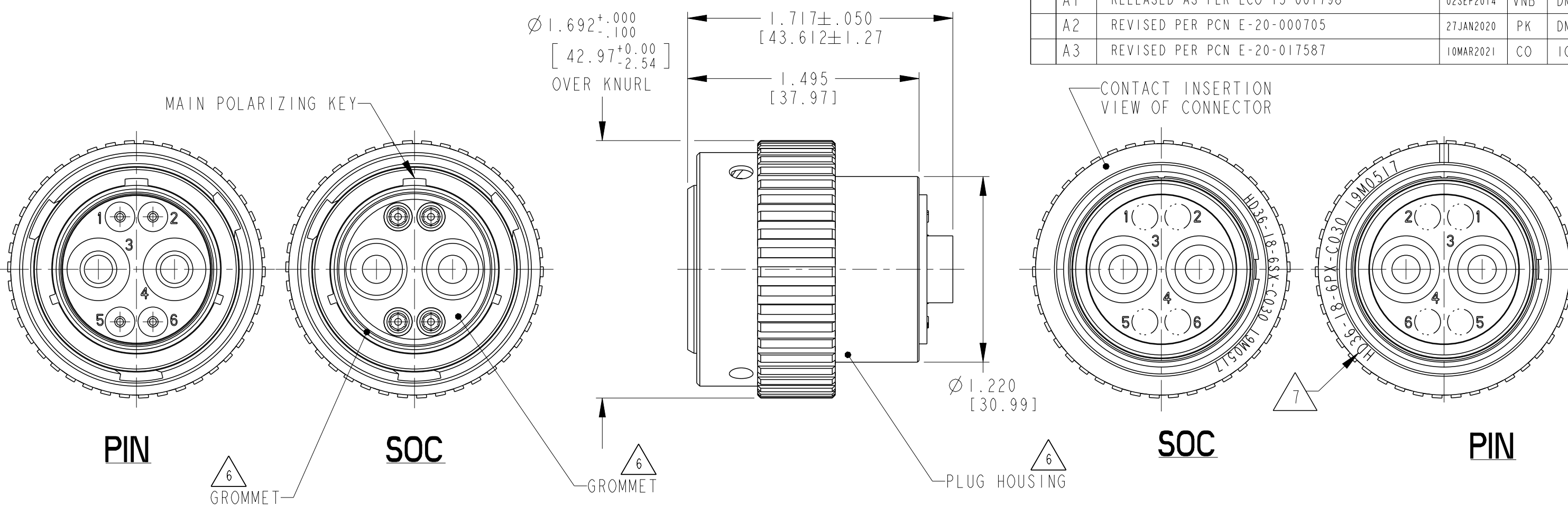


LOC	DIST	REVISIONS					
		P	LTR	DESCRIPTION	DATE	DWN	APVD
-	-		NC	NEW RELEASE PER E.O. PI9931	26JUN2008	-	RDR
			A1	RELEASED AS PER ECO-15-001798	02SEP2014	VNB	DM
			A2	REVISED PER PCN E-20-000705	27JAN2020	PK	DM
			A3	REVISED PER PCN E-20-017587	10MAR2021	CO	IG



4. WHEN X = N: NORMAL SEAL
 WHEN X = E: REDUCED DIAMETER E-SEAL

- 3. THIS CONNECTOR MATES WITH HD36-18-6P/SX-C030. X= TYPE OF SEAL.
- 2. THIS CONNECTOR WILL ACCOMMODATE THE FOLLOWING WIRE INSULATION DIAMETERS:

4 SEAL TYPE	CONTACT SIZE	MIN INSULATION O.D.	MAX INSULATION O.D.	5 WIRE GAUGE AWG [mm ²] RANGE
N	4	.280 [7.11]	.292 [7.42]	6 [13mm ²]
E	4	.261 [6.63]	.292 [7.42]	6 [13mm ²]

7. DATE CODE: IDENTIFIES THE YEAR, MONTH, DAY AND HOUR OF ASSEMBLY.
 YEAR: FIRST AND SECOND DIGITS. (14=2014)
 MONTH: THIRD DIGIT, EXCLUDING I.A=JAN., B=FEB., C=MARCH... (K=OCT.)
 DAY: FOURTH AND FIFTH DIGITS (14=14th DAY)
 HOUR: SIXTH AND SEVENTH DIGITS (11=11AM)


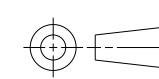
6. MATERIAL:
 PLUG HOUSING: 6061-T6 ALUMINUM ALLOY,
 SWAGE RING: PA 15%GF (GREEN FOR N-SEAL, BLUE FOR E-SEAL)
 GROMMET: SILICONE VMQ (RED)

5. FOR CONTACTS AND WIRES PERFORMANCE AND APPLICATION CHARACTERISTICS SEE ENVELOPE DWG. 0425-015-0000.

1. CONSULT FACTORY FOR ELECTRICAL AND MATERIAL SPECIFICATIONS.

NOTES:

THIS DRAWING IS A CONTROLLED DOCUMENT.

DIMENSIONS: INCHES [mm]	TOLERANCES UNLESS OTHERWISE SPECIFIED:	DWN 30OCT2014 VIJETH BHARADWAJ	 TE Connectivity NAME PLUG CONNECTOR 18-6 ARR. BAYONET COUPLING-C030 MOD
	0 PLC ±-	CHK 31OCT2014 I. GRANTCHAROVA	
	1 PLC ±-	APVD 31OCT2014 D. MEYER	
	2 PLC ±-	PRODUCT SPEC 108-151014	
	3 PLC ±.010 [±.254]	APPLICATION SPEC 114-151014	SIZE A3
	4 PLC ±-	WEIGHT 40g	CAGE CODE -
MATERIAL 6	FINISH -	Customer Drawing	DRAWING NO. HD36-18-6P/SX-C030
			RESTRICTED TO -
			SCALE NONE
			SHEET 1 OF 1
			REV A3