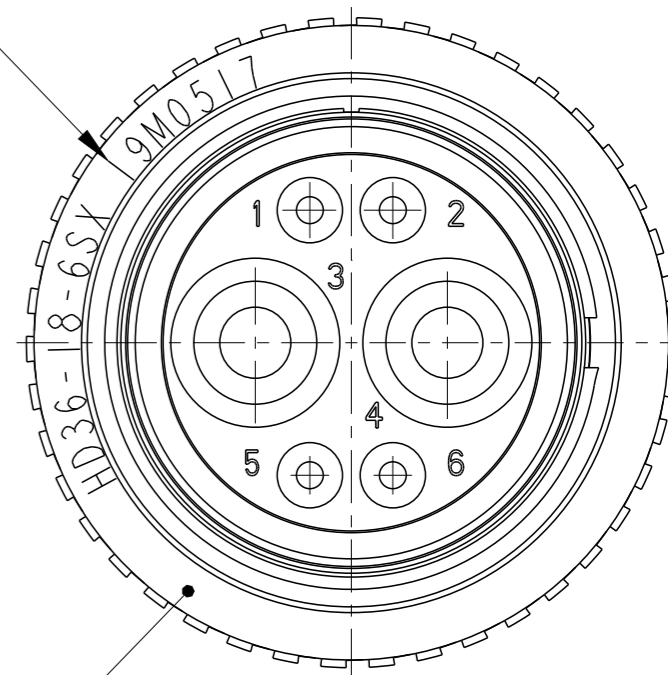
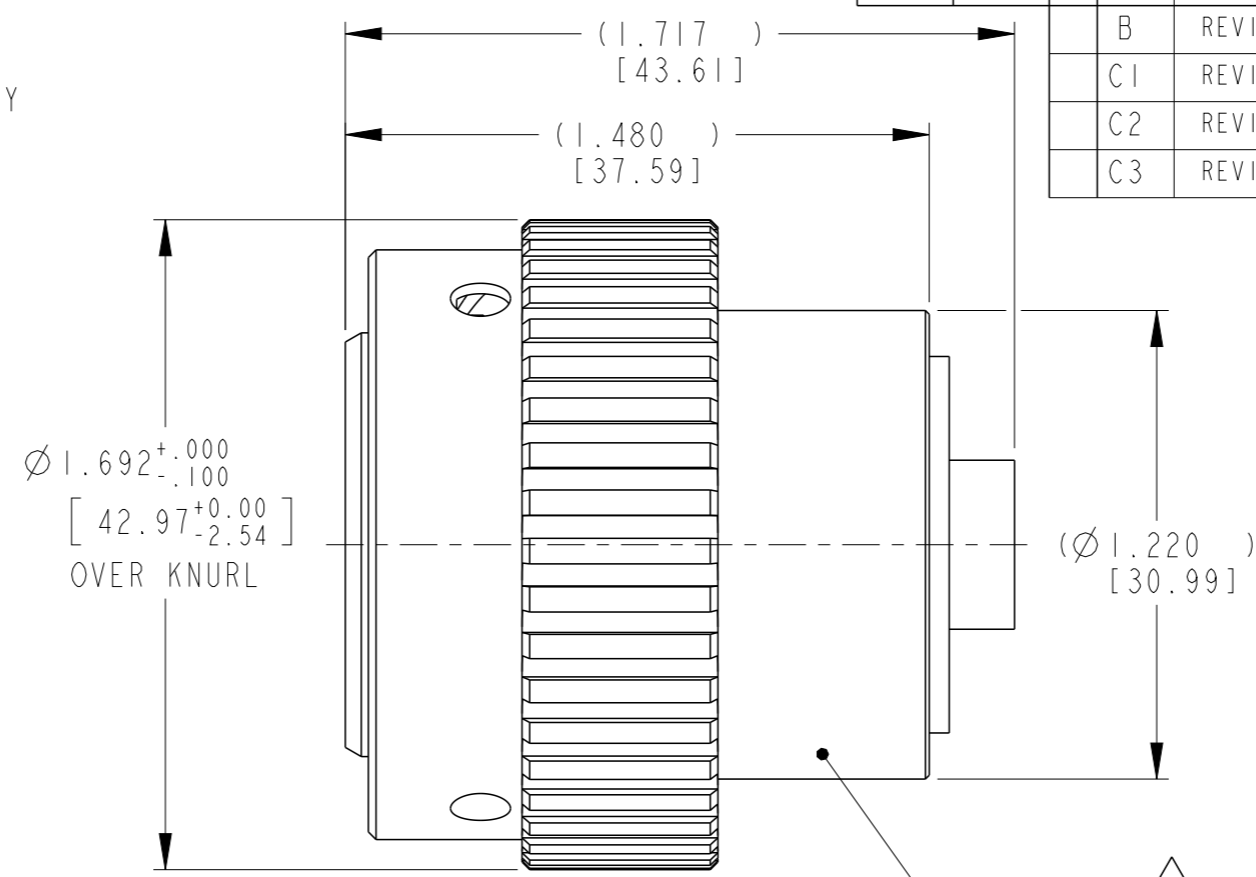
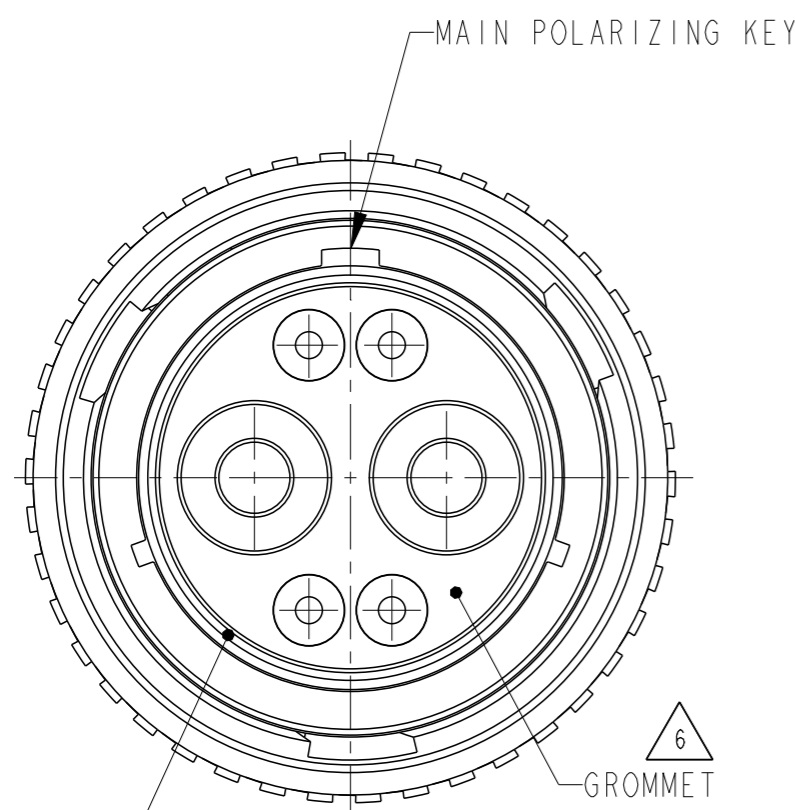


LOC	DIST	REVISIONS			
P	LTR	DESCRIPTION	DATE	DWN	APVD
-	-	B	REVISED PER E.O. PI9718	21FEB2008	- RDR
-	-	C1	REVISED PER ECO-15-001798	19MAR2015	VNB DM
-	-	C2	REVISED PER PCN E-20-000705	27JAN2020	PK DM
-	-	C3	REVISED PER PCN E-20-017587	10MAR2021	CO IG



6 SWAGE RING

6 GROMMET

6 PLUG HOUSING

CONTACT INSERTION VIEW OF CONNECTOR

4. WHEN X = N: NORMAL SEAL
 WHEN X = E: REDUCED DIAMETER E-SEAL

3. THIS CONNECTOR MATES WITH PART NO. HD34-18-6PX-XXXX
 XXXX= ALL MODIFICATION, X= TYPE OF SEAL.

2. THIS CONNECTOR WILL ACCOMMODATE THE FOLLOWING WIRE INSULATION DIAMETERS:

4 SEAL TYPE	CONTACT SIZE	MIN INSULATION O.D.	MAX INSULATION O.D.	5 WIRE GAUGE AWG [mm ²] RANGE
N	16	.100 [2.54]	.134 [3.40]	14-20 [2.0-0.5mm ²]
E	16	.053 [1.35]	.120 [3.05]	14-20 [2.0-0.5mm ²]
N or E	4	.261 [6.63]	.292 [7.42]	6 [13mm ²]

7 DATE CODE: IDENTIFIES THE YEAR, MONTH, DAY AND HOUR OF ASSEMBLY.
 YEAR: FIRST AND SECOND DIGITS. (14=2014)
 MONTH: THIRD DIGIT, EXCLUDING I.A=JAN., B=FEB., C=MARCH... (K=OCT.)
 DAY: FOURTH AND FIFTH DIGITS (14=14th DAY)
 HOUR: SIXTH AND SEVENTH DIGITS (11=11AM)

6 MATERIAL:
 PLUG HOUSING: 6061-T6 ALUMINIUM ALLOY
 SWAGE RING: PA 15%GF (GREEN FOR N-SEAL, BLUE FOR E-SEAL)
 GROMMET: SILICONE VMQ (RED)

5. FOR CONTACTS AND WIRES PERFORMANCE AND APPLICATION CHARACTERISTICS SEE ENVELOPE DWG. 0425-015-0000.

1. CONSULT FACTORY FOR ELECTRICAL AND MATERIAL SPECIFICATIONS.

NOTES:

THIS DRAWING IS A CONTROLLED DOCUMENT.

DIMENSIONS: INCHES	TOLERANCES UNLESS OTHERWISE SPECIFIED:
	0 PLC ±-
	1 PLC ±-
	2 PLC ±-
	3 PLC ±.010 [±.254]
	4 PLC ±-
	ANGLES ±° 30' 0"
MATERIAL	FINISH -
6	

DWN	02 JAN 2008
CHK	I. GRANTCHAROVA
	18 FEB 2008
APVD	B. BAYFORD
	13 FEB 2008
PRODUCT SPEC	S. BEARD
	108-151014
APPLICATION SPEC	
	114-151014
WEIGHT	52g
Customer Drawing	

TE Connectivity		NAME	
		PLUG CONNECTOR 18-6 ARR. BAYONET COUPLING	
SIZE	CAGE CODE	DRAWING NO	RESTRICTED TO
A3	-	HD36-18-6SX	-
SCALE		SHEET	REV
NONE		1 OF 1	C3