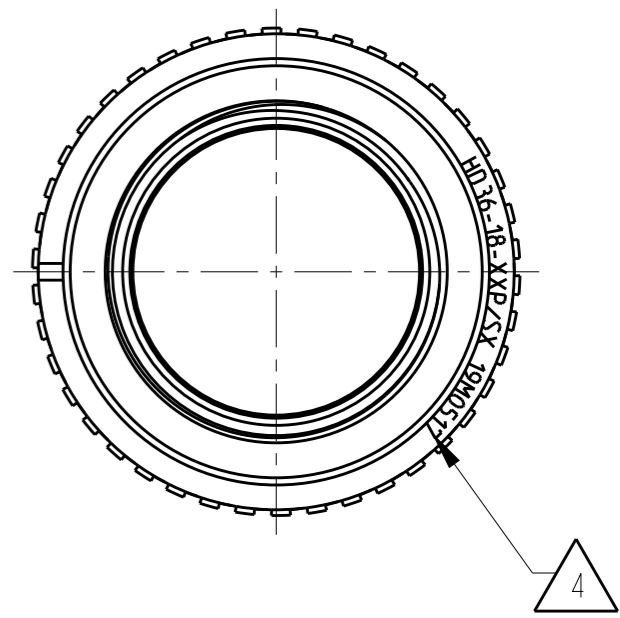
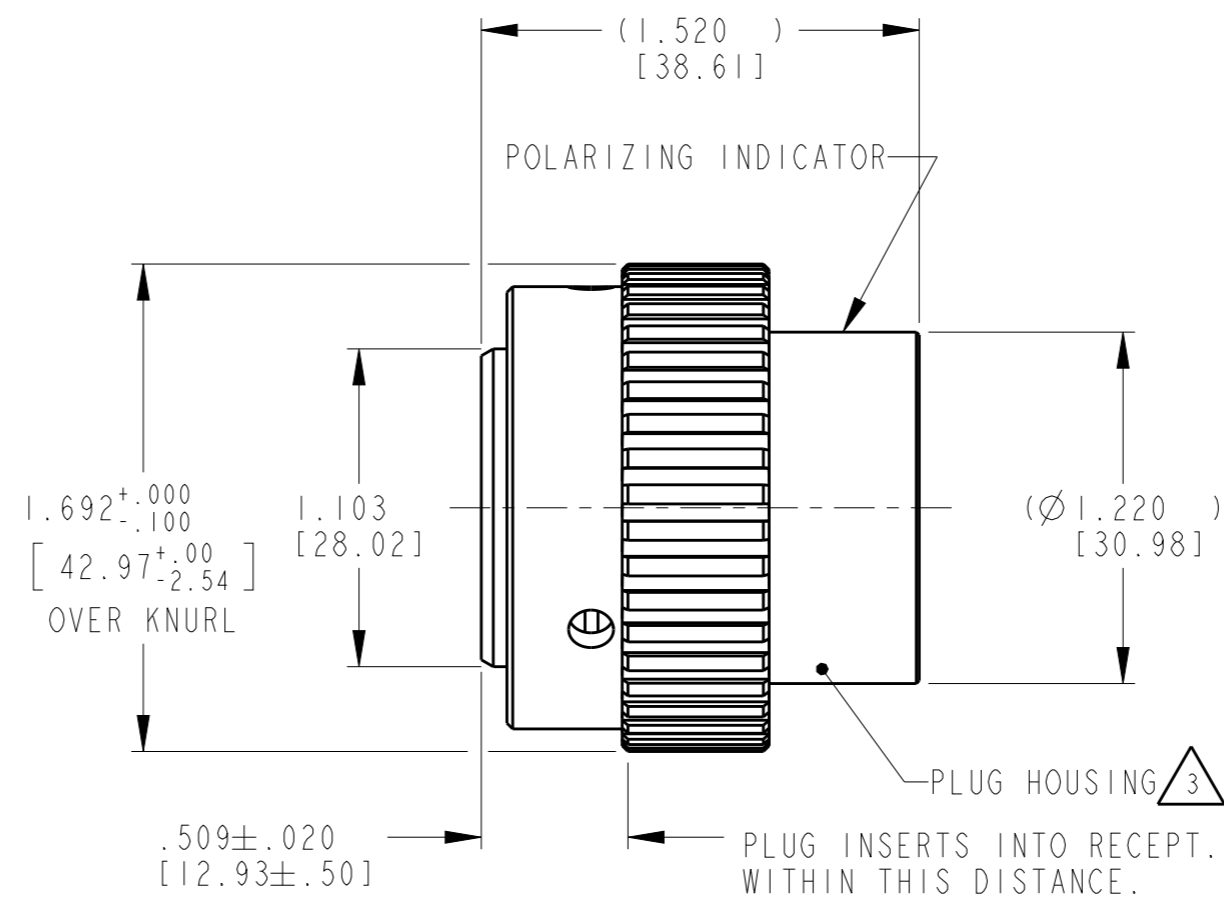
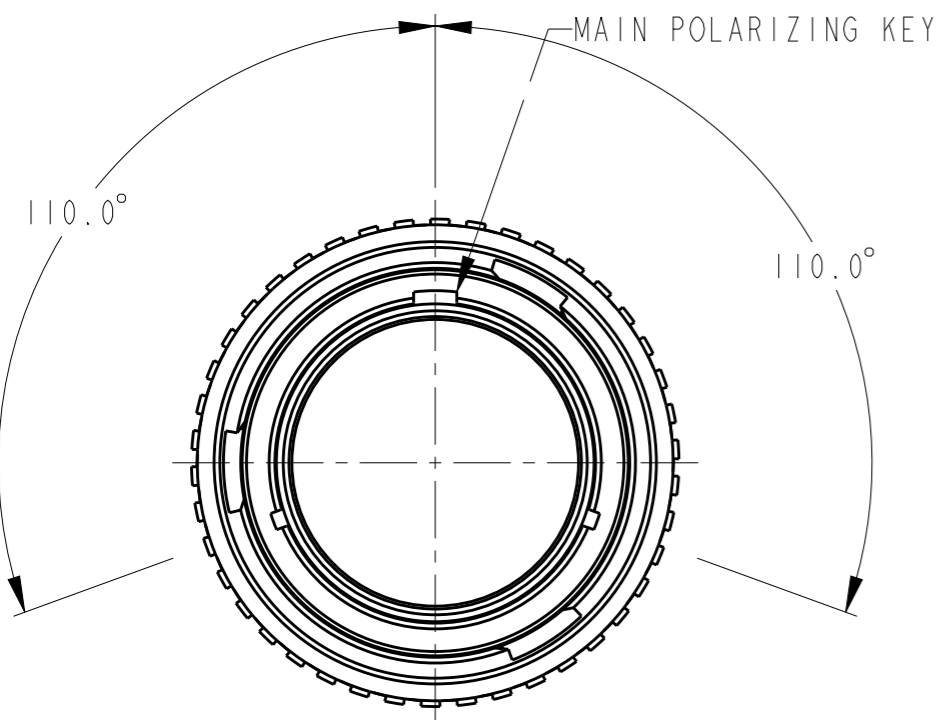


THIS DRAWING IS UNPUBLISHED
 RELEASED FOR PUBLICATION 2015
 © COPYRIGHT 2015 BY - TE CONNECTIVITY ALL RIGHTS RESERVED.

LOC	DIST	REVISIONS			
P	LTR	DESCRIPTION	DATE	DWN	APVD
-	-	NC	NEW RELEASE PER E.O. A14915	04DEC1995	- RDR
		A	REVISED PER ECO-15-001798	19MAR2015	VNB DM
		A1	REVISED PER PCN E-20-000705	28JAN2020	PK DM



4 DATE CODE: IDENTIFIES THE YEAR, MONTH, DAY AND HOUR OF ASSEMBLY.
 YEAR: FIRST AND SECOND DIGITS. (14=2014)
 MONTH: THIRD DIGIT, EXCLUDING I. A=JAN., B=FEB., C=MARCH... (K=OCT.)
 DAY: FOURTH AND FIFTH DIGITS (14=14th DAY)
 HOUR: SIXTH AND SEVENTH DIGITS (11=11AM)

3 MATERIAL:
 PLUG HOUSING: 6061-T6 ALUMINUM ALLOY,
 GROMMET: SILICONE VMQ (RED),
 RETAINER RING: PA66 GF10.

- FOR ARRANGEMENT OF CONTACT LOCATION SEE ENVELOPE DRAWING 0425-013-1800.
- CONSULT THE FACTORY FOR ELECTRICAL AND MATERIAL SPECIFICATIONS.

NOTES:

THIS DRAWING IS A CONTROLLED DOCUMENT.		DWN V. TOMSA 09NOV1995	TE Connectivity	
DIMENSIONS: INCHES [mm]		CHK V. TOMSA 09NOV1995		
TOLERANCES UNLESS OTHERWISE SPECIFIED:		APVD R. REED 04DEC1995	NAME PLUG CONNECTOR SHELL SIZE 18. BAYONET COUPLING. HD30 SERIES	
0 PLC ±- 1 PLC ±- 2 PLC ±- 3 PLC ±.010 [±.254] 4 PLC ±- ANGLES ±0° 30' 0"		PRODUCT SPEC 108-151014	SIZE A3	
MATERIAL 3		APPLICATION SPEC 114-151014	CAGE CODE -	DRAWING NO C=HD36-18-XXP/SX
FINISH -		WEIGHT 62g	RESTRICTED TO -	
		Customer Drawing	SCALE NONE	SHEET 1 OF 1 REV A1