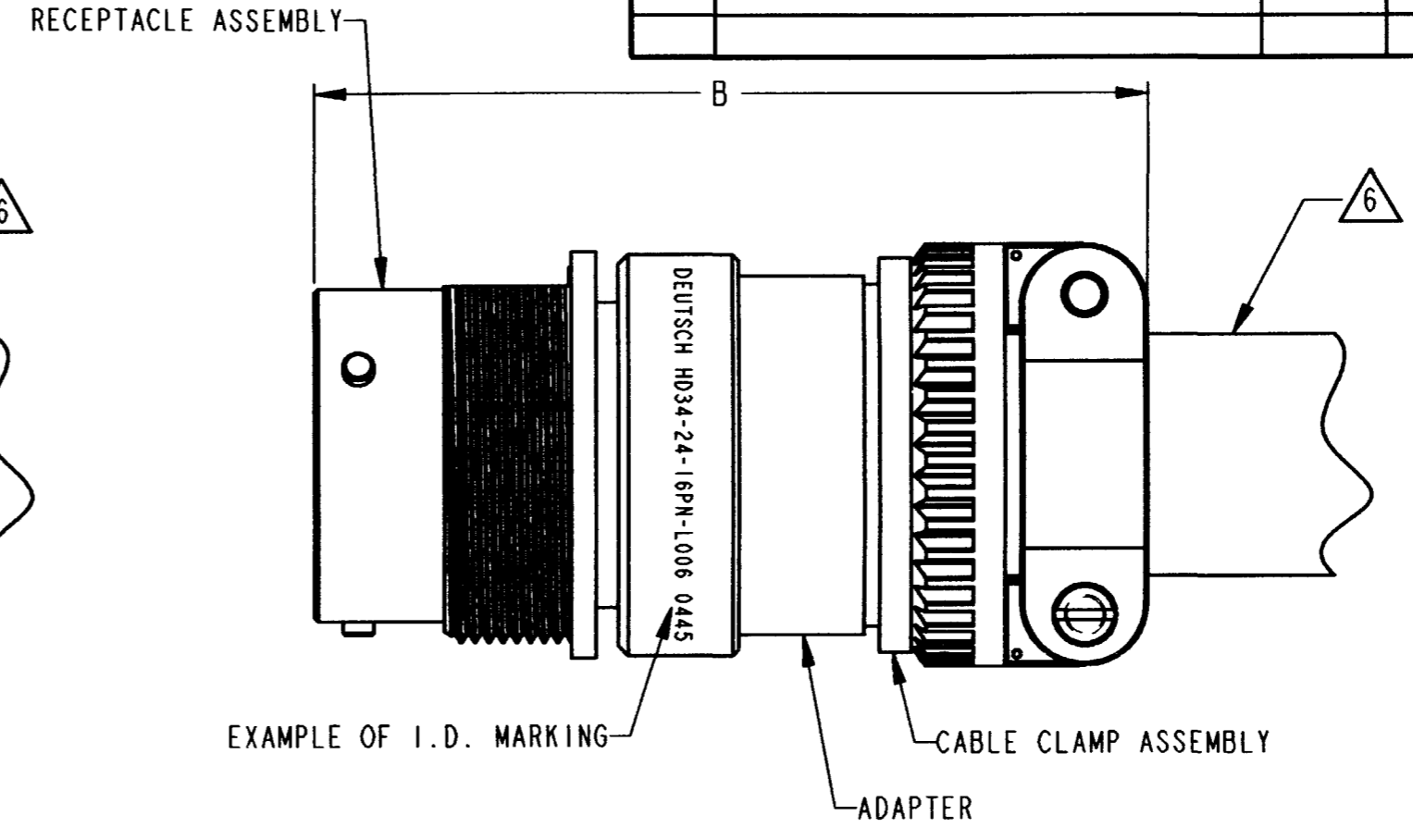
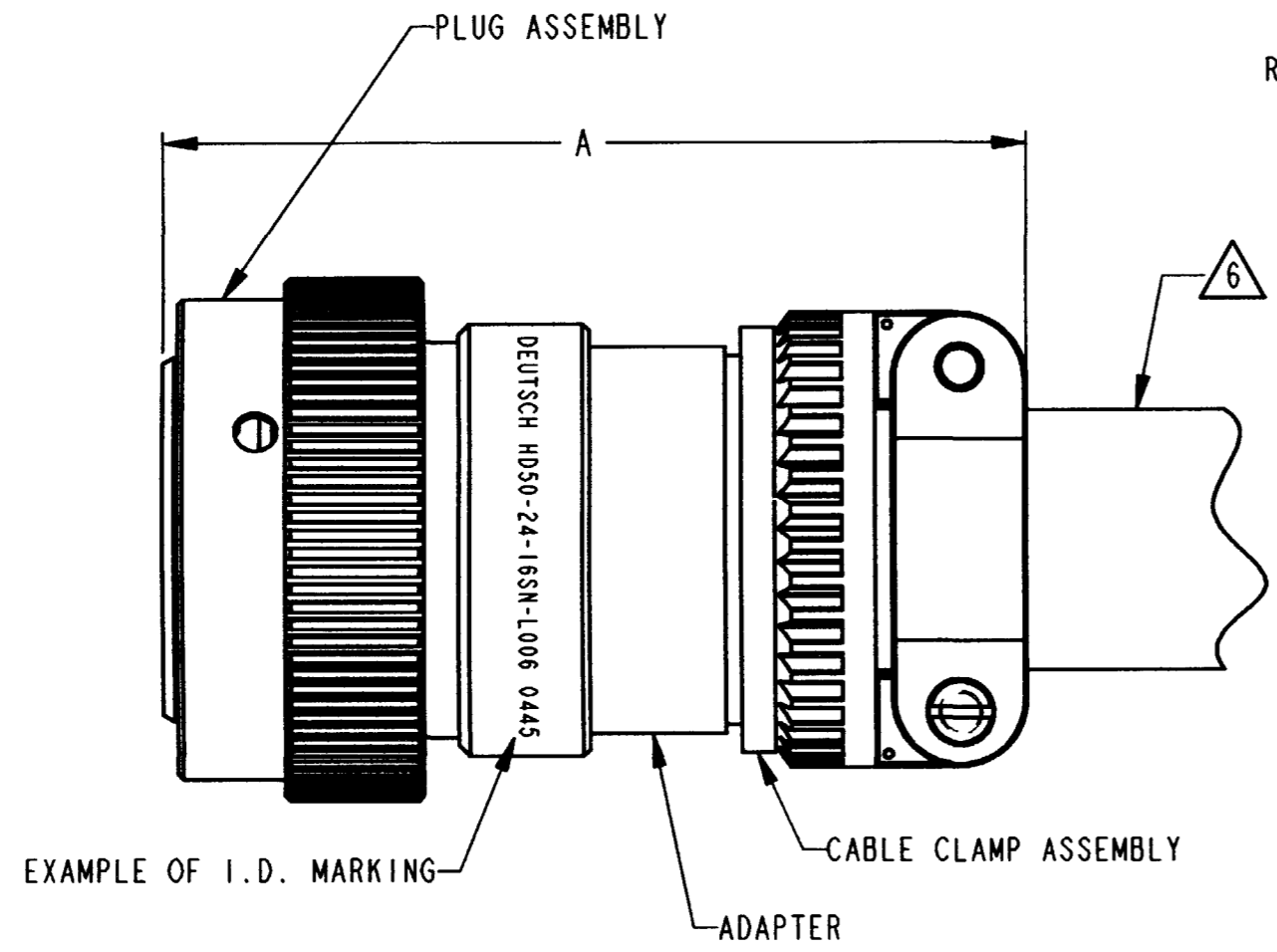


REV NC HD3***P/S*-L006

REVISIONS			
SYM	DESCRIPTION	DATE	APPROVED
NC	NEW RELEASE PER E.O. P18719	10-21-04	RDX



- 8. DIMENSIONS A AND B ON HD30, HDB, AND HD50 SERIES ARE THE SAME.
 - 7. THIS DWG. SERVES FOR HD30, HDB, AND FOR HD50 SERIES.
 - 6. ONE SIZE 12 AND ONE SIZE 16 BUSHING IS SUPPLIED WITH SIZE 24 CABLE CLAMP ASSEMBLY.
 - 5. CABLE CLAMP ACCESSORIES ARE SHIPPED UNASSEMBLED.
 - 4. FOR ARRANGEMENT OF CONTACT LOCATION SEE ENVELOPE DRAWING 0425-014-2400.
 - 3. FOR CONTACTS AND WIRES PERFORMANCE AND APPLICATION CHARACTERISTICS SEE ENVELOPE DRAWING 0425-015-0000.
 - 2. FOR PERFORMANCE AND APPLICATION CHARACTERISTICS SEE ENVELOPE DRAWING 0425-016-0000.
- NOTES: 1. ALL DIMENSIONS ARE IN INCHES (MILLIMETERS).

SIZE	A ± .125 (A ± 3.18)	B ± .125 (B ± 3.18)
18	3.090 (78.49)	3.217 (81.71)
24	3.191 (81.05)	3.318 (84.28)

SIGNATURE & DATE	
DR	R. MESSENGER 10/15/04
CHK	J. Kim 10/21/04
PE	R. Messenger 10/21/04
APPD	S. Beaud 10/21/04
SCALE	1.5:1 WT

CONNECTORS WITH
ADAPTER AND CABLE
CLAMP ASSEMBLY

ENVELOPE

CP	MATL. CODE
The Deutsch Company DEUTSCH I.P.D. 3850 INDUSTRIAL AVE. HEMET, CALIF. 92545	
B HD3***P/S*-L006	
DWG SIZE	CODE 11139 SHEET OF