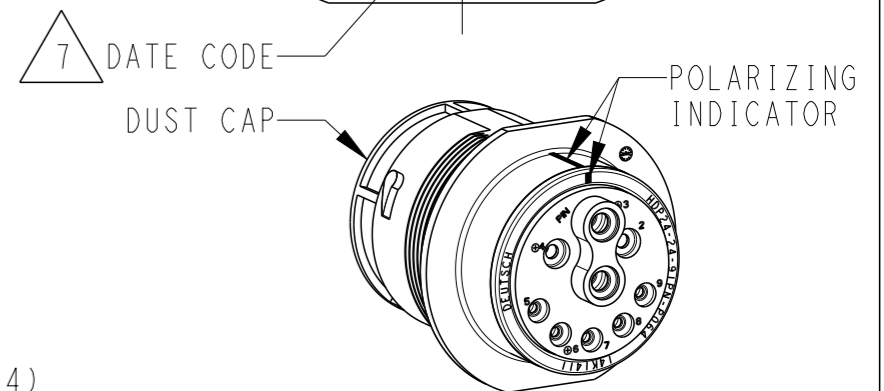
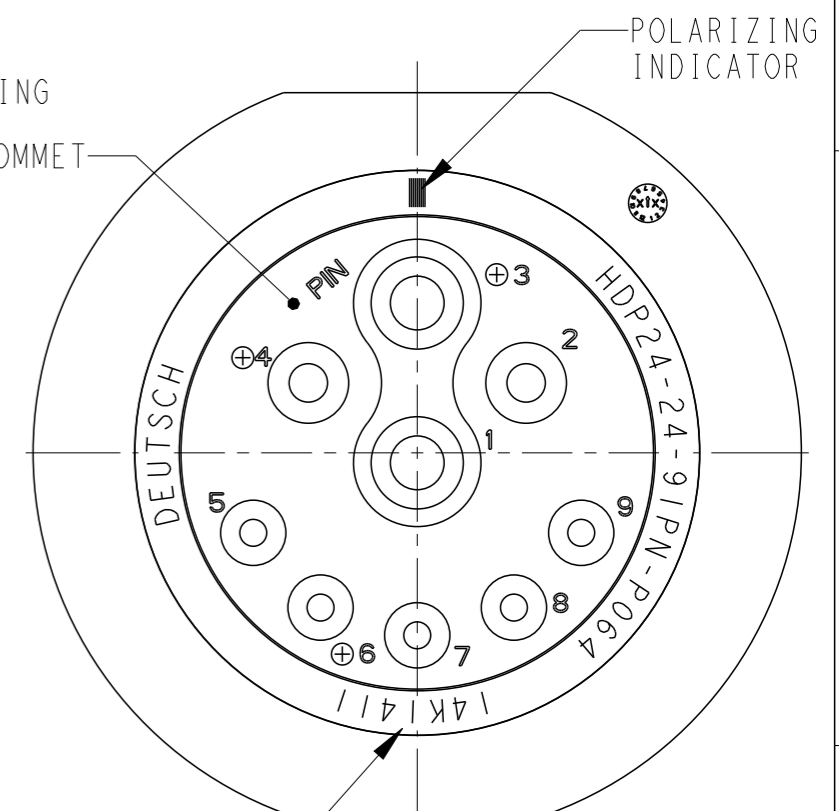
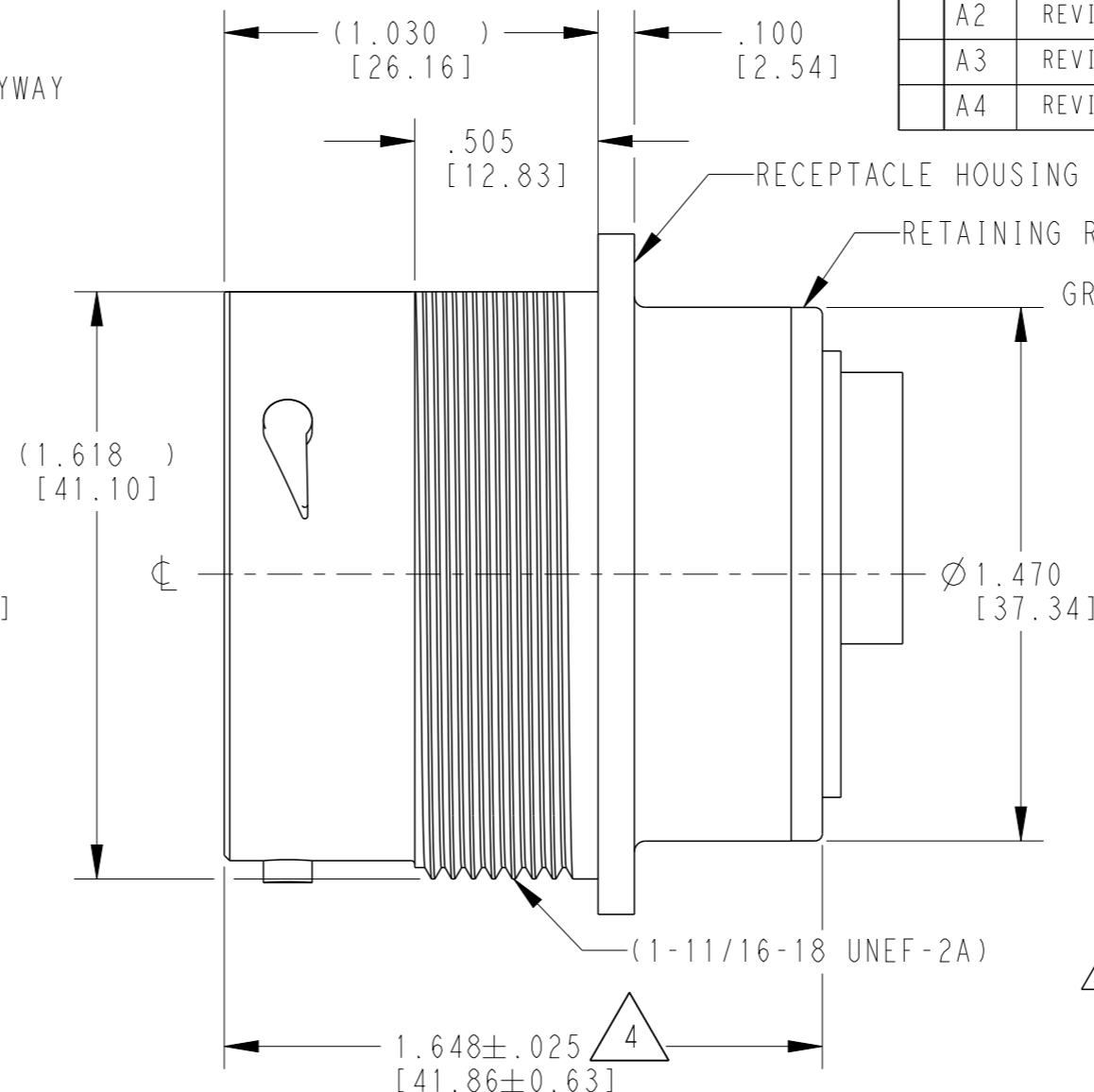
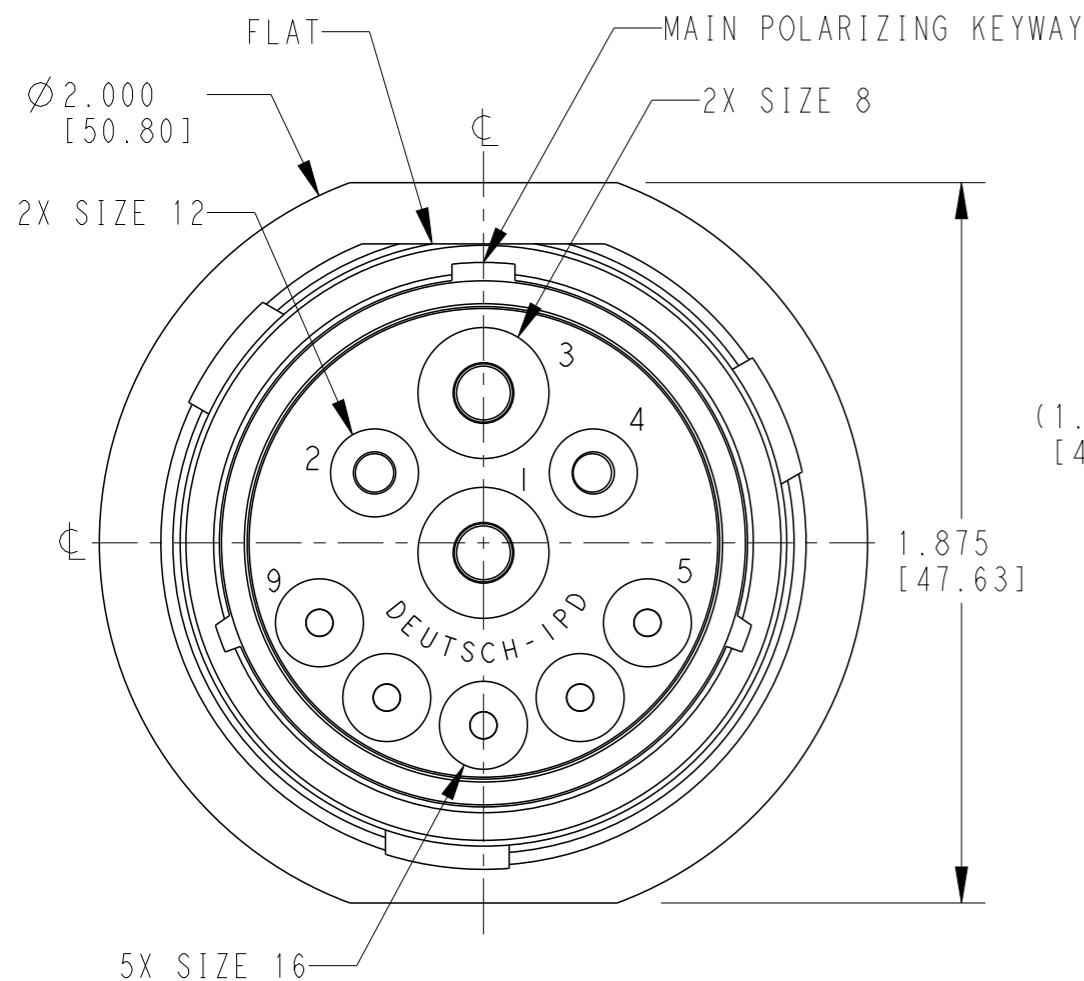


P	LTR	DESCRIPTION	DATE	DWN	APVD
A1		REVISED PER ECO-16-006700	10MAR2016	CS	DM
A2		REVISED PER PCN E-16-012386	01MAR2017	DD	DM
A3		REVISED PER PCN E-21-00000055	13JAN2021	CO	IG
A4		REVISED PER PCN-24-200566	27FEB2024	CO	CB



SCALE 3:4

TE INTERNAL PN	DEUTSCH PN
HDP24-24-91PN-P064	HDP24-24-91PN-P064
2301337-1	HDP24-24-91PE-P064

6. PART MODIFICATION:
ELIMINATES JUMPER SEAL PLUG AND CONTACT

5. RECEPTACLE IS SUPPLIED WITH DUST CAP (2415-001-2405).

4 NOTED DIMENSION DOES NOT INCLUDE GROMMET PROTRUSION.

3 MATERIAL: RECEPTACLE HOUSING: PA66 GF10 (BLACK)
RETAINING RING: PA66 GF10 (GREEN, BLUE)
GROMMET: SILICONE (ORANGE-RED)

2 SEE 0425-021-0000 APPLICATION SPECIFICATION
A. RECOMMENDED WIRE INSULATION RANGE
B. CONTACT REMOVAL TOOLS
C. RECOMMENDED MOUNTING HOLE & PANEL THICKNESS
D. MOUNTING HARDWARE & MOUNTING TORQUE

1. THIS RECEPTACLE MATES WITH HDP26-24-91SX-XXXX PLUG
X = SEAL TYPE (N,T,E)
XXXX = ALL MODIFICATIONS

NOTES:

7 DATE CODE: IDENTIFIES THE YEAR, MONTH, DAY AND HOUR OF ASSEMBLY.
YEAR: FIRST AND SECOND DIGITS. (14 = 2014)
MONTH: THRID DIGIT, EXCLUDING I. A = JAN., B = FEB., C = MARCH... (K = OCTOBER)
DAY: FOURTH AND FIFTH DIGITS (14 = 14th DAY)
HOUR: SIXTH AND SEVENTH DIGITS (11 = 11AM)

THIS DRAWING IS A CONTROLLED DOCUMENT.

DIMENSIONS: INCHES [mm]
TOLERANCES UNLESS OTHERWISE SPECIFIED:

0 PLC	±
1 PLC	±
2 PLC	±
3 PLC	±.015 [0.38]
4 PLC	±
ANGLES	±0°30'0"

MATERIAL: 3 FINISH: N/A

DWN 23FEB2010 ALDO MALAGON

CHK 26FEB2010 BRICE BYFORD

APVD 26FEB2010 STEVE BEARD

PRODUCT SPEC 0425-021-0000

APPLICATION SPEC 2

WEIGHT 56.56 g

CUSTOMER DRAWING

NAME RECEPTACLE, THREADED
SIZE 24
HDP SERIES

SIZE A3 CAGE CODE 4AFU8 DRAWING NO. HDP24-24-91PX-P064 RESTRICTED TO -

SCALE 2:1 SHEET 1 OF 1 REV A4

