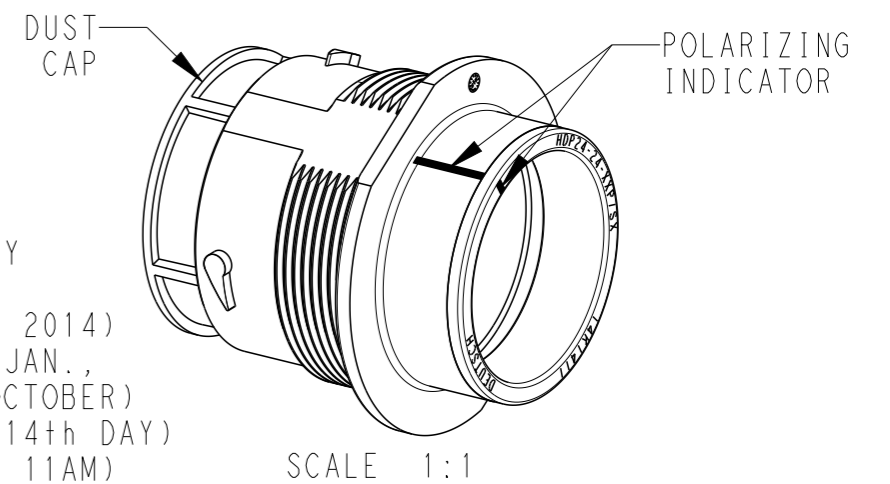
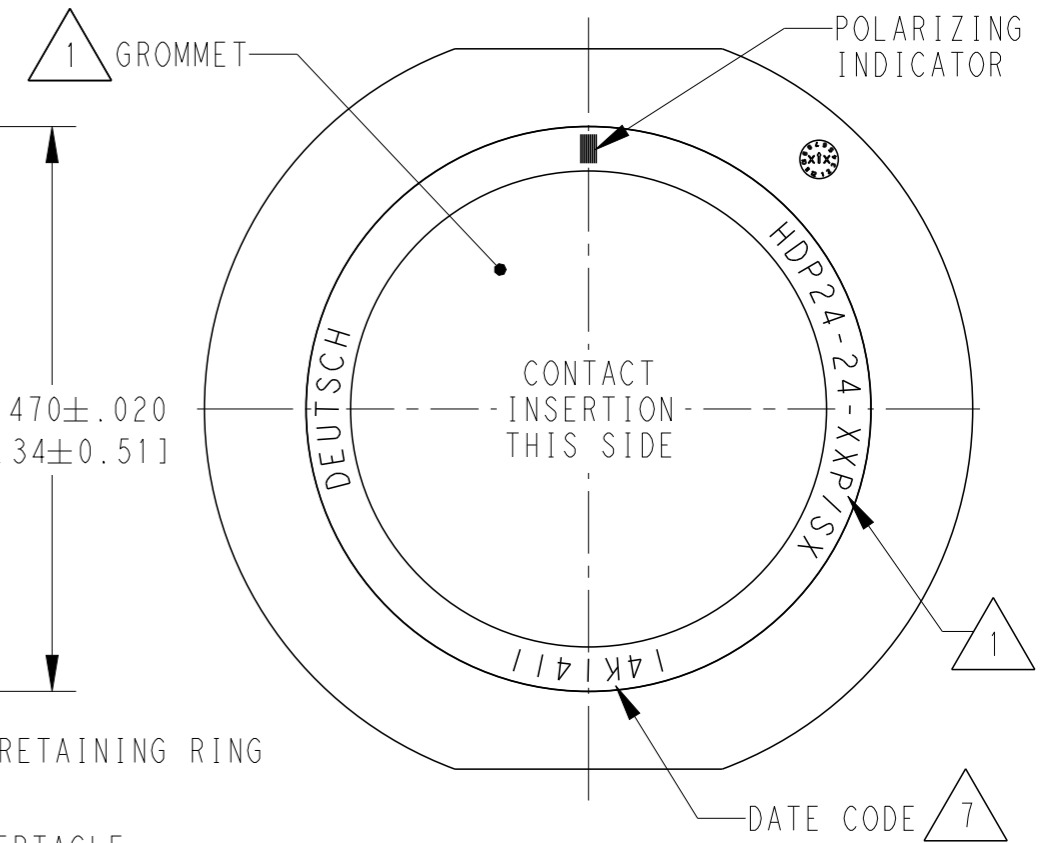
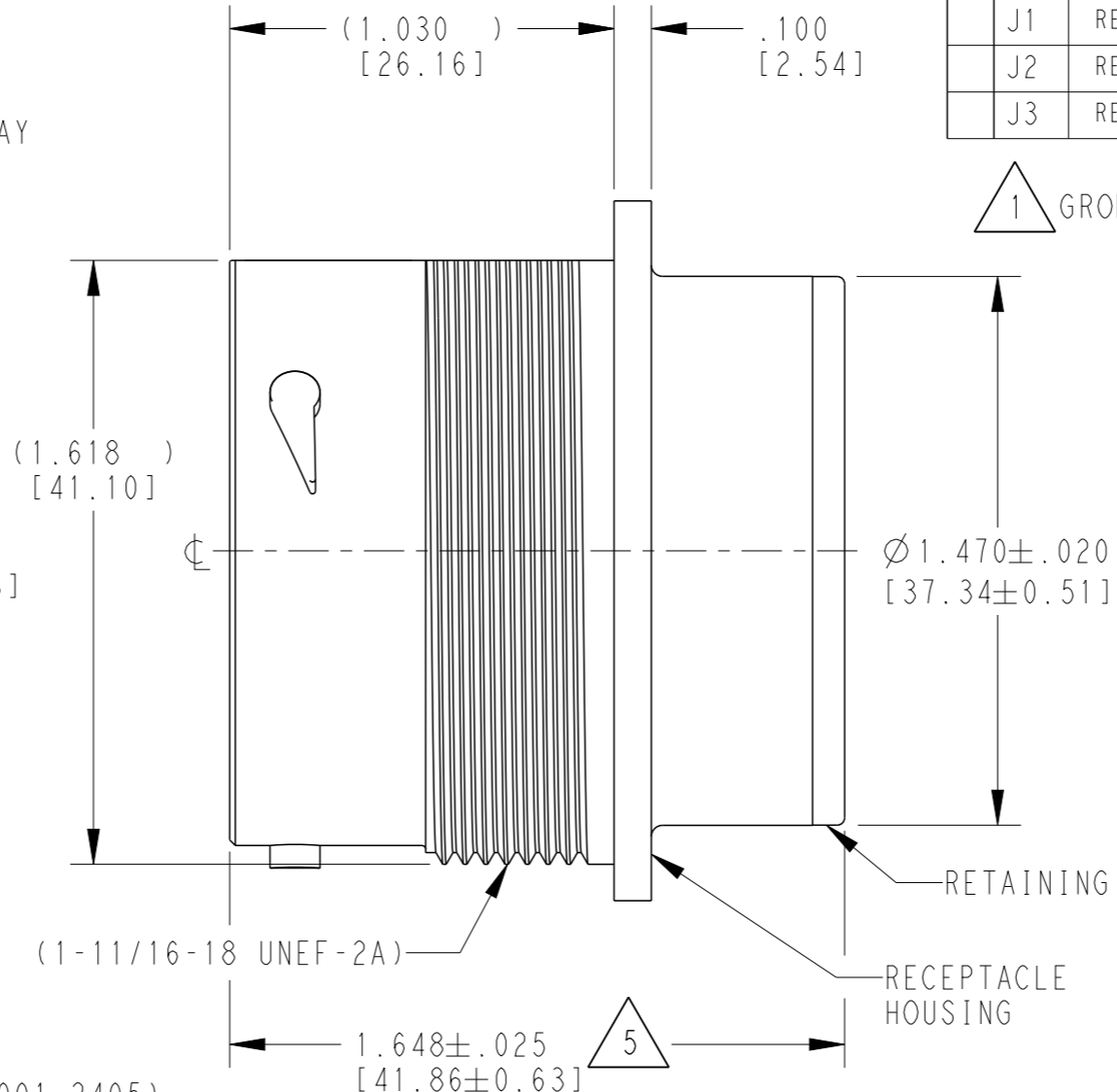
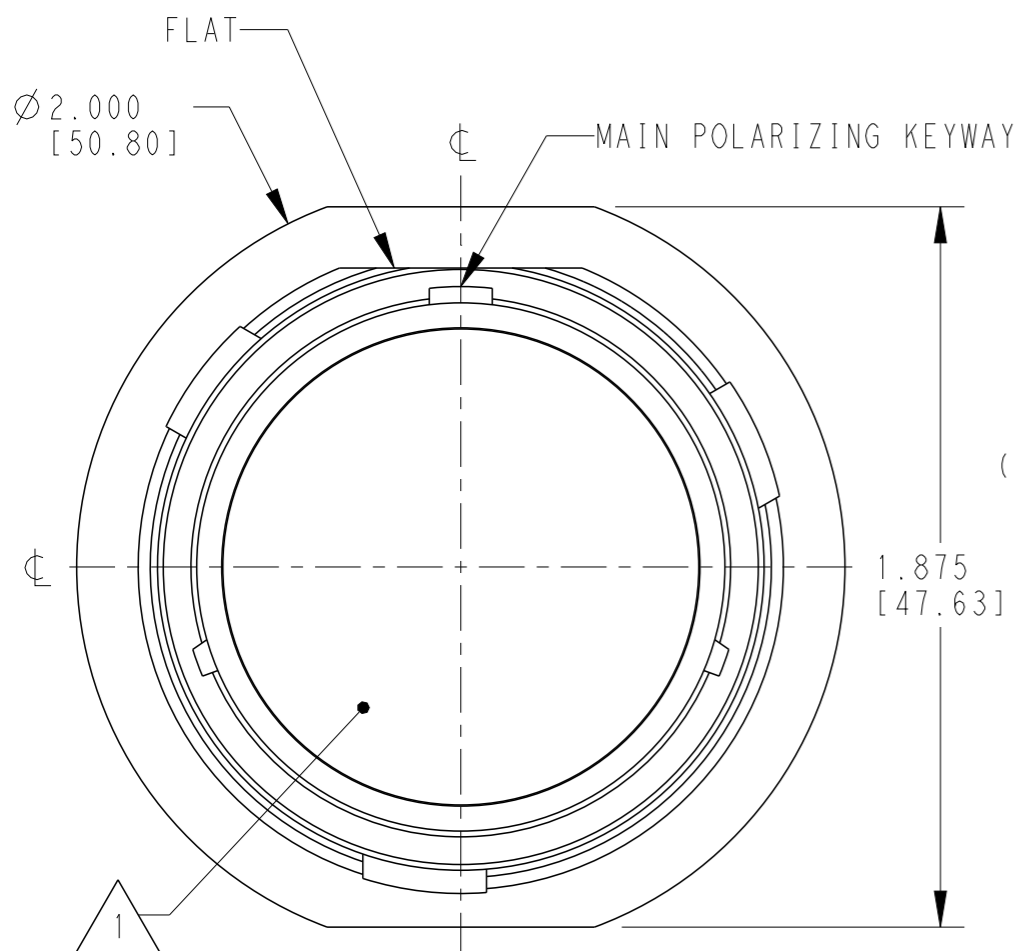


LOC	DIST	REVISIONS			
P	LTR	DESCRIPTION	DATE	DWN	APVD
	J	REVISED PER ECO-14-019072	23FEB2005	JA	DM
	J1	REVISED PER PCN E-16-012386	01MAR2017	DD	DM
	J2	REVISED PER PCN E-18-015727	03OCT2018	JA	DM
	J3	REVISED PER PCN-24-200566	19FEB2024	CO	CB



6. RECEPTACLE IS SUPPLIED WITH DUST CAP (2415-001-2405).

5 NOTED DIMENSION DOES NOT INCLUDE GROMMET PROTRUSION.

4 MATERIAL: RECEPTACLE HOUSING: PA66 GF10 (BLACK)  
 RETAINER RING: PA66 GF10 (GREEN, GRAY, BLUE)  
 GROMMET: SILICONE (ORANGE-RED)

3 SEE 0425-021-0000 APPLICATION SPECIFICATION  
 A. RECOMMENDED WIRE INSULATION RANGE  
 B. CONTACT REMOVAL TOOLS  
 C. RECOMMENDED MOUNTING HOLE & PANEL THICKNESS  
 D. MOUNTING HARDWARE & MOUNTING TORQUE.

2. THIS RECEPTACLE MATES WITH HDP26-24-XXP/SX-XXXX PLUG  
 X = SEAL TYPE (N,T,E)  
 XX = INSERT ARRANGEMENT  
 XXXX = MODIFICATION

1 SEE CUSTOMER DRAWING, 0425-014-2400 FOR AVAILABLE INSERT ARRANGEMENTS AND PART NUMBERS.

7 DATE CODE: IDENTIFIES THE YEAR, MONTH, DAY AND HOUR OF ASSEMBLY.  
 YEAR: FIRST AND SECOND DIGITS. (14 = 2014)  
 MONTH: THRID DIGIT, EXCLUDING I. A = JAN., B = FEB., C = MARCH... (K = OCTOBER)  
 DAY: FOURTH AND FIFTH DIGITS (14 = 14th DAY)  
 HOUR: SIXTH AND SEVENTH DIGITS (11 = 11AM)

NOTES:

THIS DRAWING IS A CONTROLLED DOCUMENT.		DWN	03MAR2000	STEVE BEARD	
DIMENSIONS: INCHES [mm]		CHK	04FEB2004	JUNE LIM	
TOLERANCES UNLESS OTHERWISE SPECIFIED:		APVD	16JAN2004	STEVE BEARD	
0 PLC ±		PRODUCT SPEC	0425-021-0000	NAME	
1 PLC ±		APPLICATION SPEC	3	RECEPTACLE, THREADED	
2 PLC ±		WEIGHT		SIZE	A3
3 PLC ±.015 [0.38]				CAGE CODE	4AFU8
4 PLC ±				DRAWING NO	Ⓞ-HDP24-24-XXP/SX
ANGLES ±0°30'0"				RESTRICTED TO	-
FINISH N/A		Customer Drawing		SCALE	2:1
				SHEET	1 OF 1
				REV	J3

