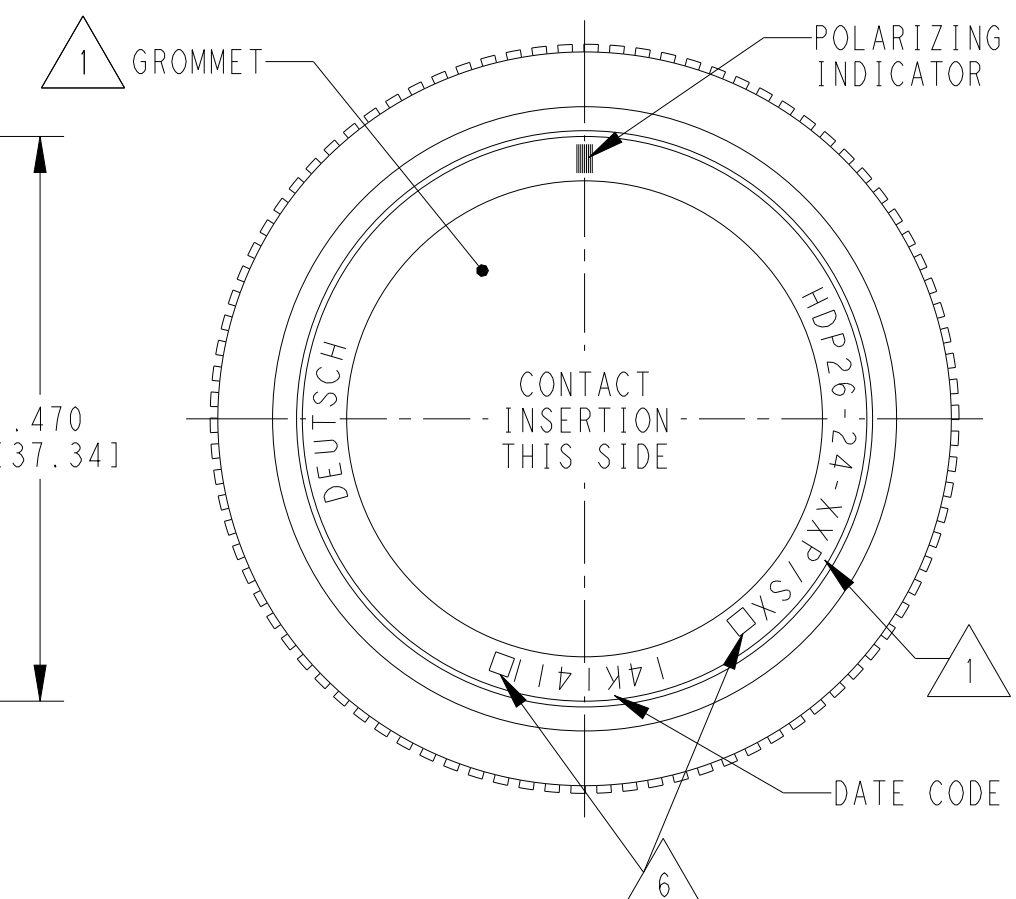
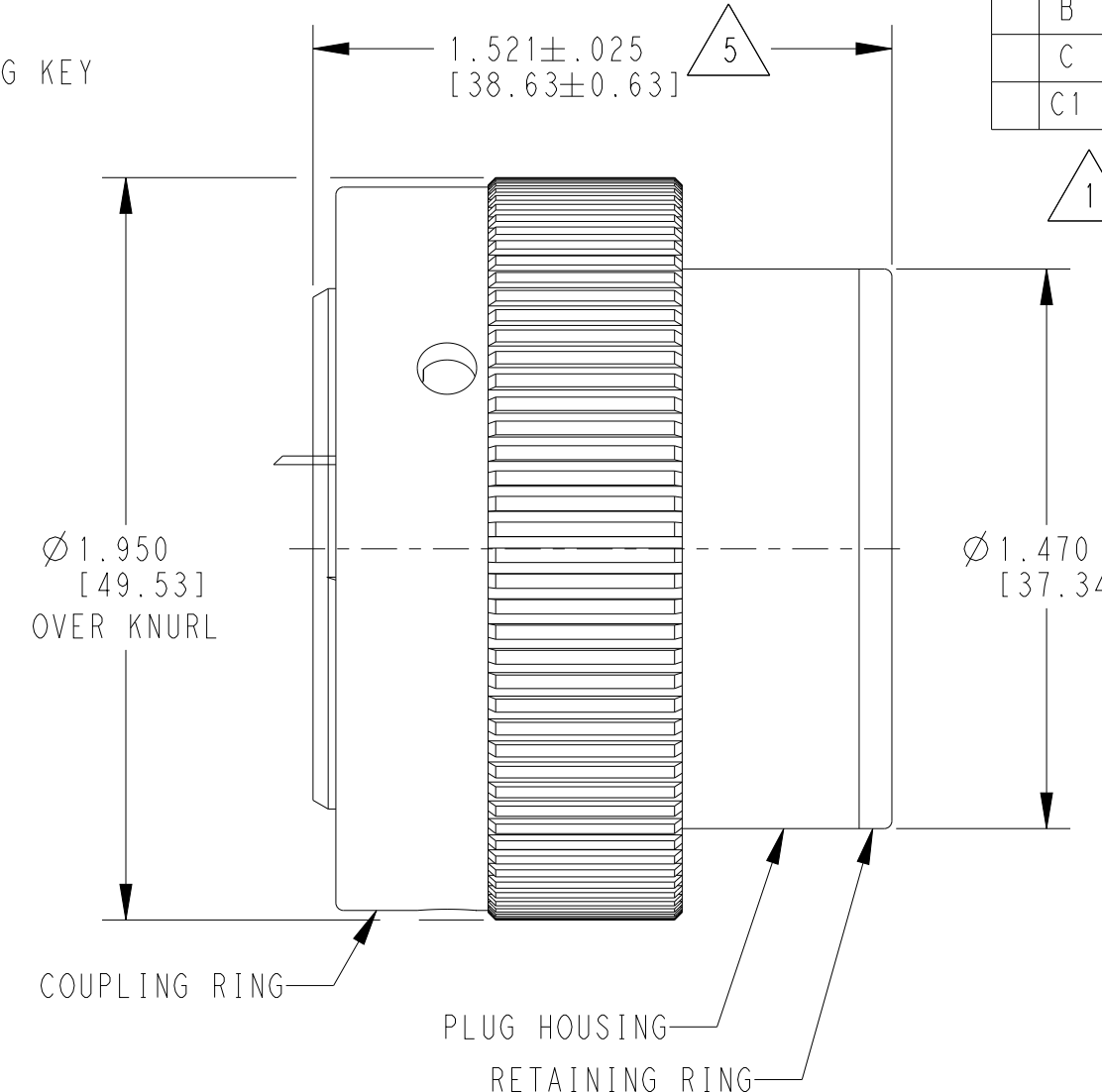
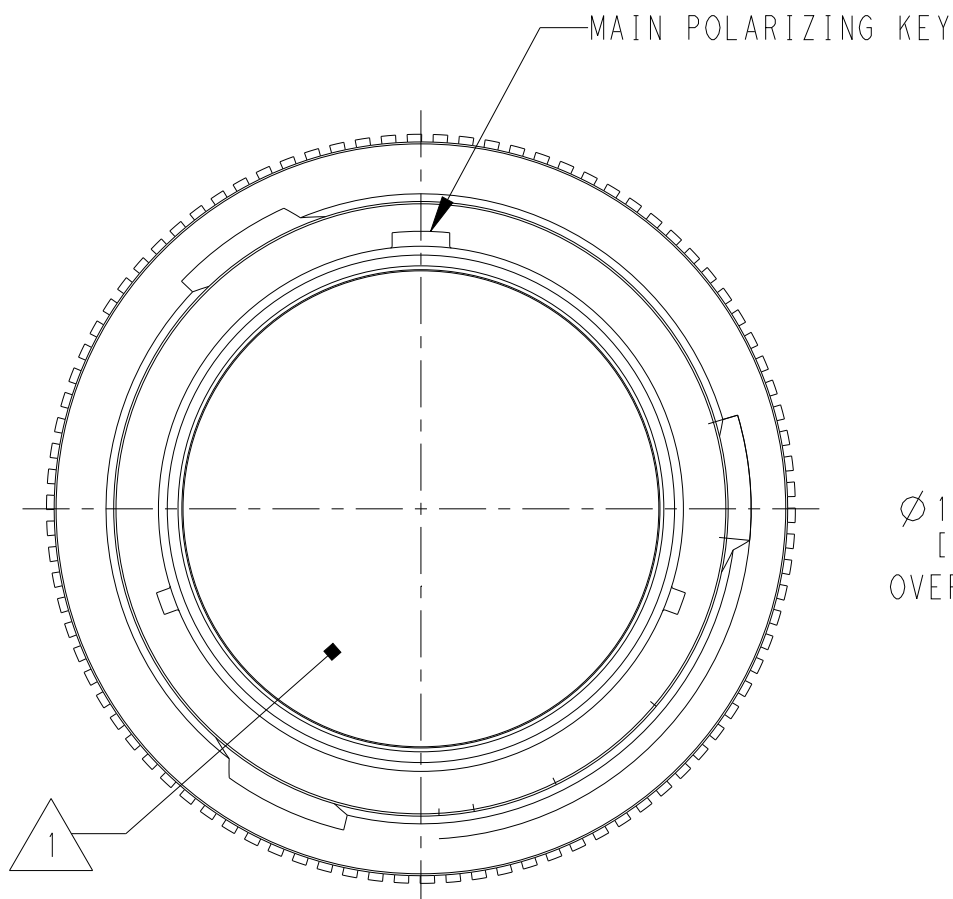


LOC	DIST	REVISIONS			
P	LTR	DESCRIPTION	DATE	DWN	APVD
	A	REVISED PER E.O. P16875	29SEP2000	SM	RDR
	B	REVISED PER E.O. P18119	15APR2003	AR	RDR
	C	REVISED PER ECO-14-019072	23FEB2015	JA	DM
	C1	REVISED PER PCN-24-213773	02JUL2024	HD	CB

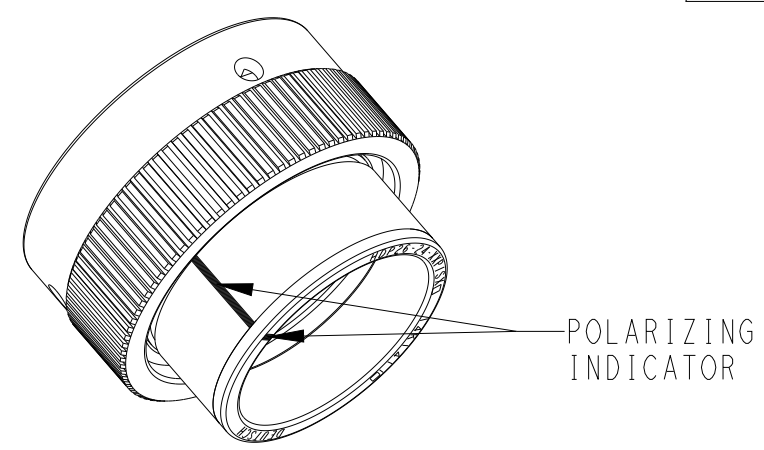


- △ 6 LOCATIONS FOR TRACEABILITY WITNESS MARKS ONLY
- △ 5 NOTED DIMENSION DOES NOT INCLUDE GROMMET PROTRUSION.
- △ 4 MATERIAL: PLUG HOUSING/COUPLING RING: PA66 GF10 (BLACK)  
 RETAINER RING: PA66 GF10 (GREEN, GRAY, BLUE)  
 GROMMET: SILICONE (ORANGE-RED)

3 SEE 0425-021-0000 APPLICATION SPECIFICATION  
 A. RECOMMENDED WIRE INSULATION RANGE  
 B. CONTACT REMOVAL TOOLS

△ 2. THIS PLUG MATES WITH HDP24-24XXP/SX-XXXX RECEPTACLE  
 X = SEAL TYPE (N,T,E)  
 XX = INSERT ARRANGEMENT  
 XXXX = MODIFICATION

△ 1 SEE CUSTOMER DRAWING 0425-014-2400 FOR AVAILABLE INSERT ARRANGEMENTS AND PART NUMBERS.



SCALE 1:1

THIS DRAWING IS A CONTROLLED DOCUMENT.		DWN	06MAR2000		 TE Connectivity
		CHK	11APR2003		
		APVD	11APR2003		
		NAME	STEVE BEARD		
DIMENSIONS: INCHES [mm]		PRODUCT SPEC	0425-021-0000		NAME
		APPLICATION SPEC	△ 3		PLUG, COUPLING RING
TOLERANCES UNLESS OTHERWISE SPECIFIED:		WEIGHT			SIZE
0 PLC ± 1 PLC ± 2 PLC ± 3 PLC ±.015 [0.38] 4 PLC ± ANGLES ±0°30'0" FINISH N/A		Customer Drawing	SCALE	2:1	SHEET 1 OF 1
MATERIAL △ 4		RESTRICTED TO	-		REV
		Customer Drawing	A3 4AFU8		C-HDP26-24-XXP/SX
		SCALE	2:1		SHEET 1 OF 1
		REV	C1		