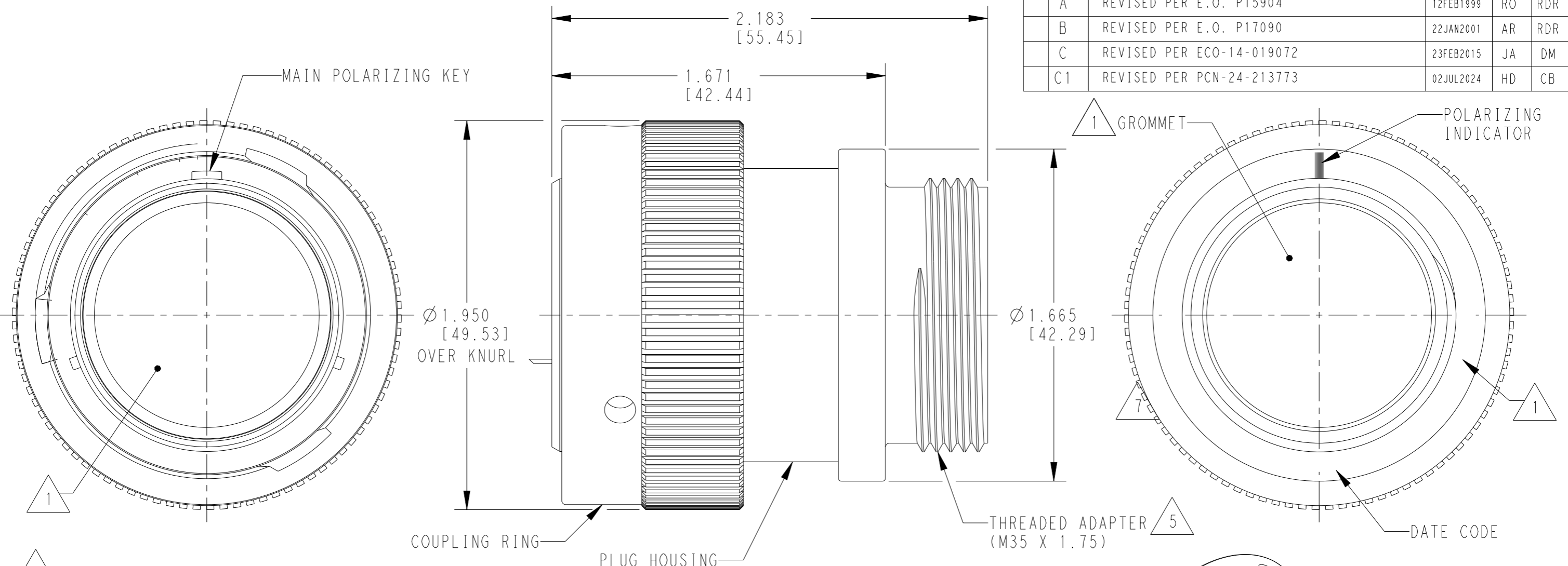


P	LTR	DESCRIPTION	DATE	DWN	APVD
A		REVISED PER E.O. P15904	12FEB1999	RO	RDR
B		REVISED PER E.O. P17090	22JAN2001	AR	RDR
C		REVISED PER ECO-14-019072	23FEB2015	JA	DM
C1		REVISED PER PCN-24-213773	02JUL2024	HD	CB



7 LOCATIONS FOR TRACEABILITY WITNESS MARKS ONLY

6. PART MODIFICATION: THREADED ADAPTER

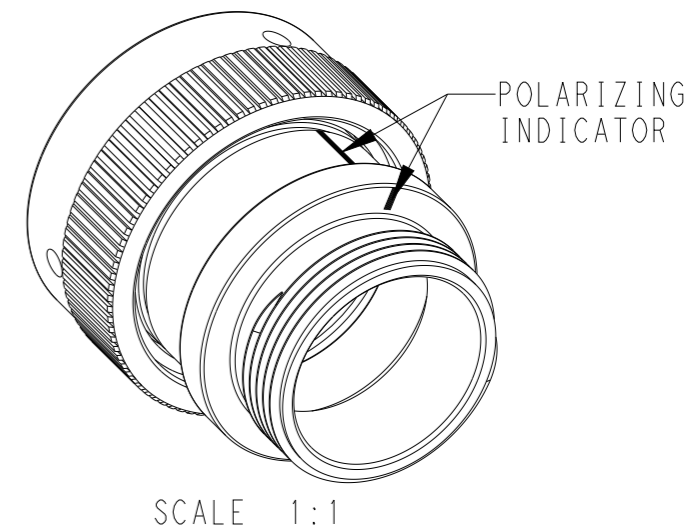
5 CONDUIT ADAPTER ACCEPTS EITHER TYPES:
 A. CONDUIT ADAPTER CAP NUT (CN21) AND SEAL RING (SRN21)
 B. BACKSHELL (M902-2243), COMPRESSION NUT (M902-2053), CABLE Ø .430-.570 [10.92-14.78]
 C. BACKSHELL (M902-2244), COMPRESSION NUT (M902-2054), CABLE Ø .570-710 [14.78-18.03]

4 MATERIAL: PLUG HOUSING/COUPLING RING: PA66 GF10 (BLACK)
 CONDUIT ADAPTER: PA66 GF10 (GREEN, GRAY, BLUE)
 GROMMET: SILICONE (ORANGE-RED)

3 SEE 0425-021-0000 APPLICATION SPECIFICATION
 A. RECOMMENDED WIRE INSULATION RANGE
 B. CONTACT REMOVAL TOOLS

2. THIS PLUG MATES WITH HDP24-24XXP/SX-XXXX RECEPTACLE
 X = SEAL TYPE (N,T,E)
 XX = INSERT ARRANGEMENT
 XXXX = MODIFICATION

1 SEE CUSTOMER DRAWING 0425-014-2400 FOR AVAILABLE INSERT ARRANGEMENTS AND PART NUMBERS.



THIS DRAWING IS A CONTROLLED DOCUMENT.		DWN	19 JAN 1999	TE Connectivity			
DIMENSIONS: INCHES [mm]		CHK	15 JAN 2001				
TOLERANCES UNLESS OTHERWISE SPECIFIED:		APVD	15 JAN 2001				
0 PLC ± 1 PLC ± 2 PLC ± 3 PLC ±.015 [0.38] 4 PLC ± ANGLES ±0°30'0"		PRODUCT SPEC	0425-021-0000				
MATERIAL	FINISH N/A	APPLICATION SPEC	3	NAME	PLUG, COUPLING RING SIZE 24, -L015 MOD HDP SERIES		
Customer Drawing		WEIGHT	A3	SIZE	CAGE CODE	DRAWING NO	RESTRICTED TO
				4AFU8	©-HDP26-24-XXP/SX-L015	15	-
				SCALE	SHEET	OF	REV
				2:1	1	1	C1