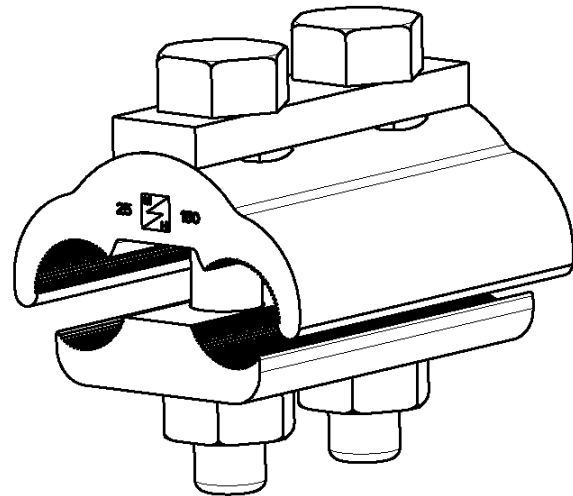
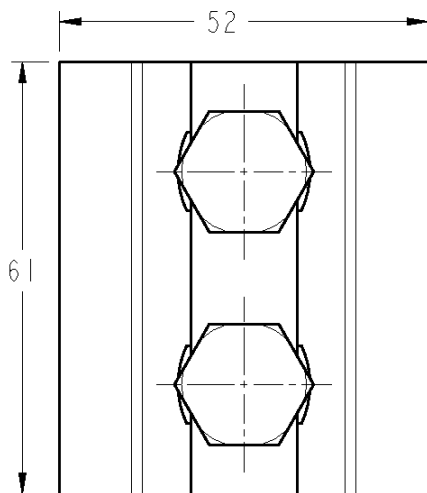
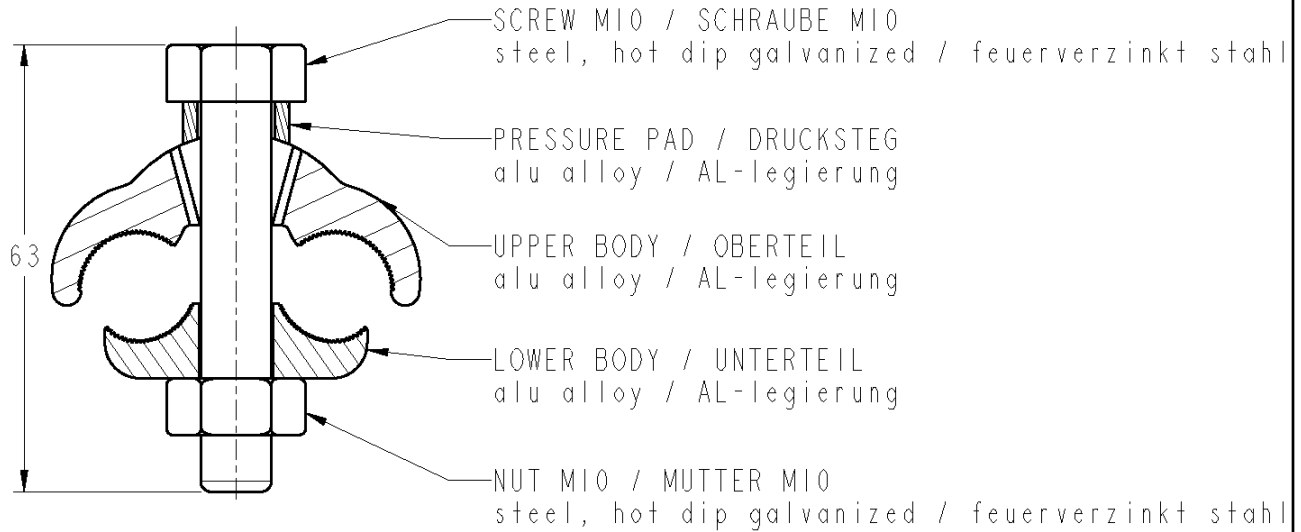


LOC	DIST	REVISIONS				
P	LTR REV	DESCRIPTION MODIFICATIONS	DATE	DWN DESS.	APVD APP.	
FH	2					
	1	CREATION	21MAR2007	FB	AG	
	A	TIGHTENING TORQUE MODIFICATION	03FEB2009	LP	GS	



Capacity / Klemmbereich : AL/ST 25/4-120/20 mm<sup>2</sup>  
 AL 25-150 mm<sup>2</sup>  
 Tightening torque / Anzugsmoment : 44 N.m

20  
 RELEASED FOR PUBLICATION  
 LIBRE A. L.A. DIFFUSION  
 THIS DRAWING IS UNPUBLISHED.  
 DIFFUSION RESTREINTE  
 BY TYCO ELECTRONICS CORPORATION. ALL RIGHTS RESERVED.  
 © COPYRIGHT 2009 BY TYCO ELECTRONICS CORPORATION. TOUS DROITS RESERVES.

DIMENSIONS: mm		DWN / DESSINE L. PETRIGNET 03FEB2009	MATERIAL MATIERE	TOLERANCES UNLESS OTHERWISE SPECIFIED TOLERANCES NON SPECIFIEES: FINISH FINITION		
TOLERANCES UNLESS OTHERWISE SPECIFIED: TOLERANCES NON SPECIFIEES (SUIV NB DE DECIMALES): 0 PLC / DEC: ±0 1 PLC / DEC: ±0 2 PLC / DEC: ±0 3 PLC / DEC: ±0 4 PLC / DEC: ±0 ANGLES ±	CHK / VERIFIE M. DOLLING		SIMEL PRODUCTS			
	APVD / APPROUVE G. SCHWEIZER					
	PRODUCT SPEC SPEC. PRODUIT		NAME TITRE	HEL-3592		
	APPLICATION SPEC SPEC. APPLICATION		SIZE FORMAT	CAGE CODE	DRAWING NO No PLAN	RESTRICTED TO RESERVE A
WEIGHT MASSE APPROX.	- g	A 4	-	G-6-1199001-7	-	
CUSTOMER DRAWING / PLAN CLIENT		UNIQUEMENT POUR REFERENCE	SCALE EHELLE	SHEET FEUILLE	OF DE	REV A