

6

5

4

3

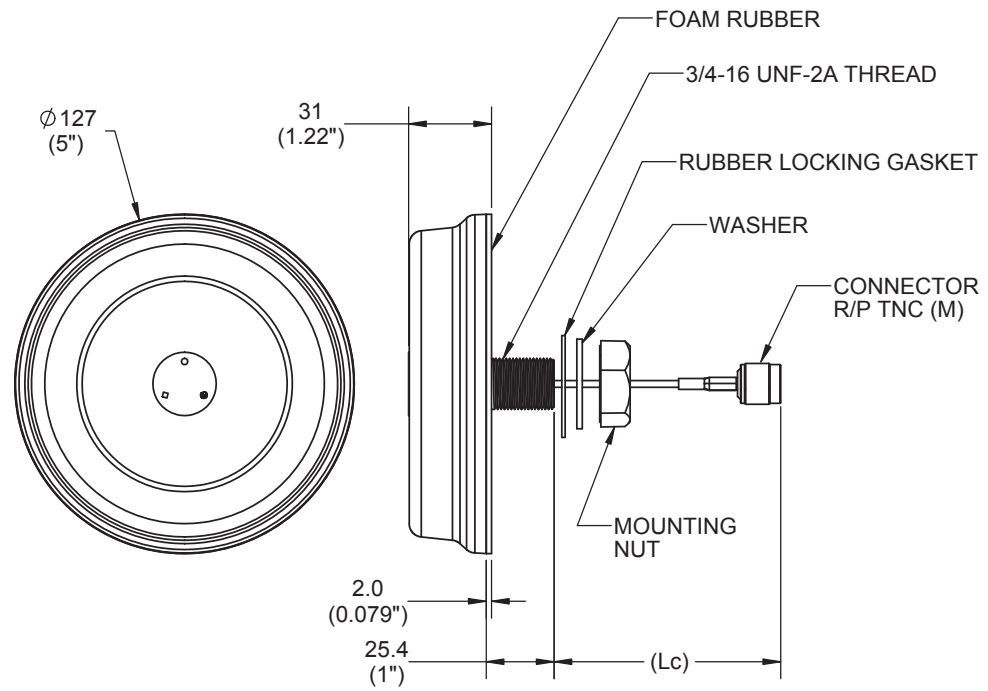
2

1

REVISIONS					
REV.	ECN#	ZONE	DESCRIPTION	CHANGED BY/DATE	APPROVED BY/DATE
F01	ECN-IAS-04310		INITIAL RELEASED	YS TAN/ 03JUL15	HANG/ 03JUL15

D

D



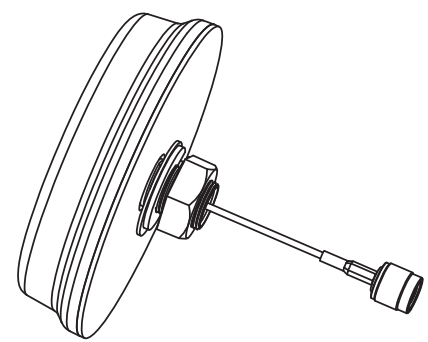
C

C

Parameter	Performance							
TE Part Number	LPS69273NT-61RTNM							
Antenna Type	SISO Omni							
Connector Type	RP-TNC (M)							
Cable Type	RG316							
Pigtail Length, Lc	610mm ±15mm (2ft ±0.05ft)							
Frequency Bands, MHz	698-806	824-894	880-960	1710-1880	1850-1990	1910-2170	2300-2500	2500-2700
Peak Gain, dBi (Typ)								
On Metal Housing	2.1	0.7	1.7	5.4	4.6	4.5	3.4	3.7
On Plastic Housing w/ Ground Plane Kit	2.4	1.1	2.3	5.5	4.4	4.0	3.8	3.8
Peak Gain, dBi (Max)								
On Metal Housing	2.5	1.1	2.3	5.9	4.8	4.9	3.8	4.0
On Plastic Housing w/ Ground Plane Kit	2.9	1.4	3.1	5.9	5.3	4.3	4.4	4.3
Maximum VSWR	3.0:1							
Nominal Impedance	50Ω							
Max Power (Ambient temp of 25°C)	10 Watts							
Polarization	Linear, Vertical							
Azimuth Beam Width	Omnidirectional							
Weight	Approximately 0.2Kg (0.44lb)							
Storage Temperature (°C)	-40° C to +85° C (-40°F to +185°F)							
Operational Temperature (°C)	-30° C to +70° C (-22°F to +158°F)							
Outdoor Rated	Yes, IP67							
Radome	PC, UL94 V-0 Rating, Black							
RoHS	Yes							

B

B



Note:

- *Metal housing test condition is represented by a 300mm (1ft) diameter aluminum plate. For plastic housing with hardware kit test condition, it is represented by a 260x260x2.7mm (10.24"x10.24"x0.1") plastic plate placed over a 300mm (1ft) diameter aluminum plate.
- Patent Pending.

A

A

THIS DRAWING IS UNPUBLISHED. RELEASED FOR PUBLICATION - , -

© Copyright 2022 TE Connectivity Ltd. ALL RIGHTS RESERVED.

MATERIAL: N/A		THIRD ANGLE PROJECTION			
FINISH: N/A					
APPROVALS		DATE		TITLE:	
DRAWN BY	YS TAN	03JUL15		LPS69273NT-61RTNM	
ELEC. ENG.	XW TEOH	03JUL15			
MECH. ENG.	YS TAN	03JUL15			
MFG./OPS.	CH FONG	03JUL15		DWG. NO. LPS69273NT-61RTNMMO	
INTERPRET DIMENSIONING AND TOLERANCING IN ACCORDANCE WITH ASME Y14.5M-2009		TOLERANCES UNLESS OTHERWISE SPECIFIED		SCALE: 1:2 PREVIOUS#	
DIMENSIONS ARE IN MILLIMETERS		ANGLE: ±30' 0 PLACE DECIMAL: ±0.5 1 PLACE DECIMAL: ±0.25 2 PLACE DECIMAL: ±0.13 SURFACE ROUGHNESS 1.6/		REV F01	
THIS DRAWING IS UNPUBLISHED.		RELEASED FOR PUBLICATION - , -		SHEET 1 OF 1	

6

5

4

3

2

1