

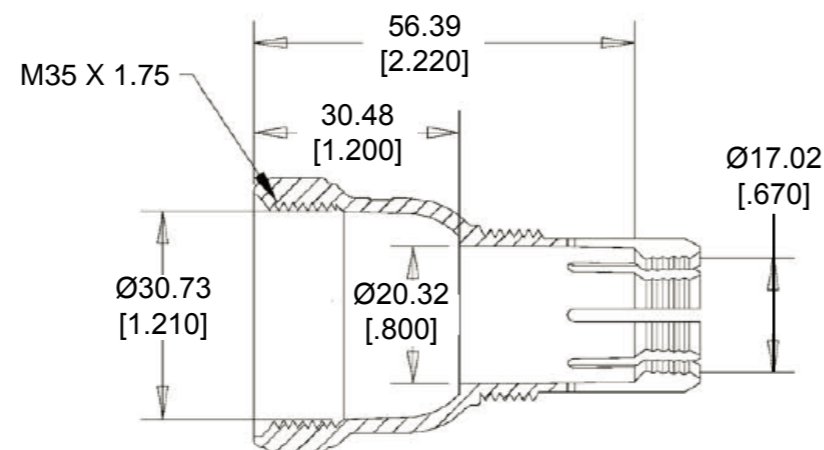
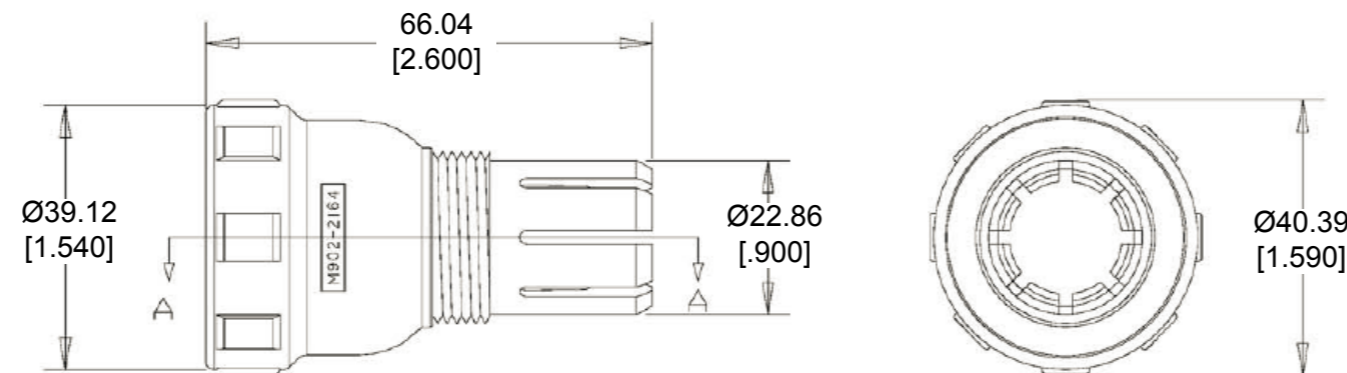
REVISIONS

| P | LTR | DESCRIPTION | DATE | DWN | APVD |
|---|-----|-------------------------------|----------|-----|------|
| A | | NEW RELEASE PER ECO-14-013596 | 09-05-14 | DM | DM |



Backshell

Compression Nut



SECTION A-A

- 6. PART NO. M902-2244
- 5. CABLE STRIPPED LENGTH: 63.50 [2.500] MAX.
- 4. CABLE SIZE: $\text{Ø}.570$ - $\text{Ø}.710$
- 3. TEMPERATURE RATING: -40°C TO $+134^{\circ}\text{C}$ [-40°F TO $+273^{\circ}\text{F}$]

2. THIS PART IS USED WITH:
COMPRESSION NUT, M902-2054

1. THIS PART IS USED ON
HDP24-18-XXX-L015 RECEPTACLES
HDP26-18-XXX-L015 PLUGS
HDP24-24-XXX-L015 RECEPTALCES
HDP26-24-XXX-L015 PLUGS
SEE INVIDUAL CUSTOMER DRAWINGS

| | | | | |
|--|--|-------------------------------|--|-----------------|
| THIS DRAWING IS A CONTROLLED DOCUMENT. | | DWN D. MEYER 05SEP2014 | | |
| DIMENSIONS: MM [INCH] | | CHK I. GRANTCHAROVA 05SEP2014 | | |
| TOLERANCES UNLESS OTHERWISE SPECIFIED: | | APVD D. MEYER 05SEP2014 | NAME BACKSHELL, SIZE 18, 24 -L015 MOD CABLE SIZE: $\text{Ø}.570$ - $\text{Ø}.710$ HDP20 SERIES | |
| | | PRODUCT SPEC | RESTRICTED TO | |
| MATERIAL PC/PBT | | APPLICATION SPEC | SIZE A3 | CAGE CODE 4AFU8 |
| FINISH BLACK | | WEIGHT 18.64 g | DRAWING NO. M902-2244 | |
| | | Customer Drawing | SCALE NONE | SHEET 1 OF 1 |
| | | | | REV A |