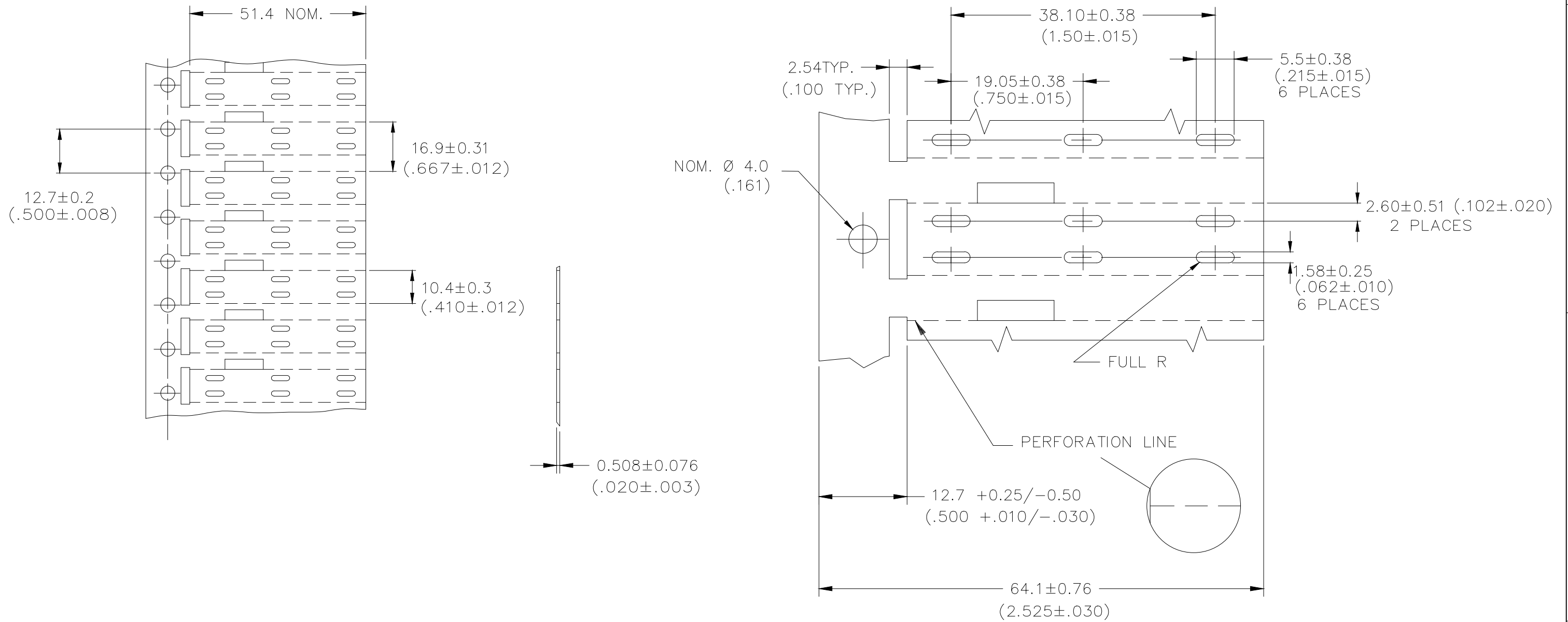

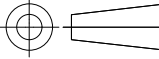


P	LTR	DESCRIPTION	DATE	DWN	APVD
	C	INITIAL CUSTOMER DRAWING	14APR2020	AFK	LS



THIS DRAWING IS A CONTROLLED DOCUMENT.		DWN AFK	14APR2020	 TE Connectivity	
		CHK -	-		
DIMENSIONS: mm	TOLERANCES UNLESS OTHERWISE SPECIFIED:	APVD LS	14APR2020	NAME CM-SCE-TP-1/4-6H	
	0 PLC ± -	PRODUCT SPEC RW-2513		RESTRICTED TO	
	1 PLC ± -	APPLICATION SPEC		-	
	2 PLC ± -	411-121000		SIZE A3	CAGE CODE 0198G
	3 PLC ± -	WEIGHT 0.6g NOM		DRAWING NO C=MCD99013	
	4 PLC ± -	CUSTOMER DRAWING		SCALE ---	SHEET 1 OF 1
	ANGLES ± -			REV C	
MATERIAL CROSSLINKED POLYOLEFIN	FINISH -				