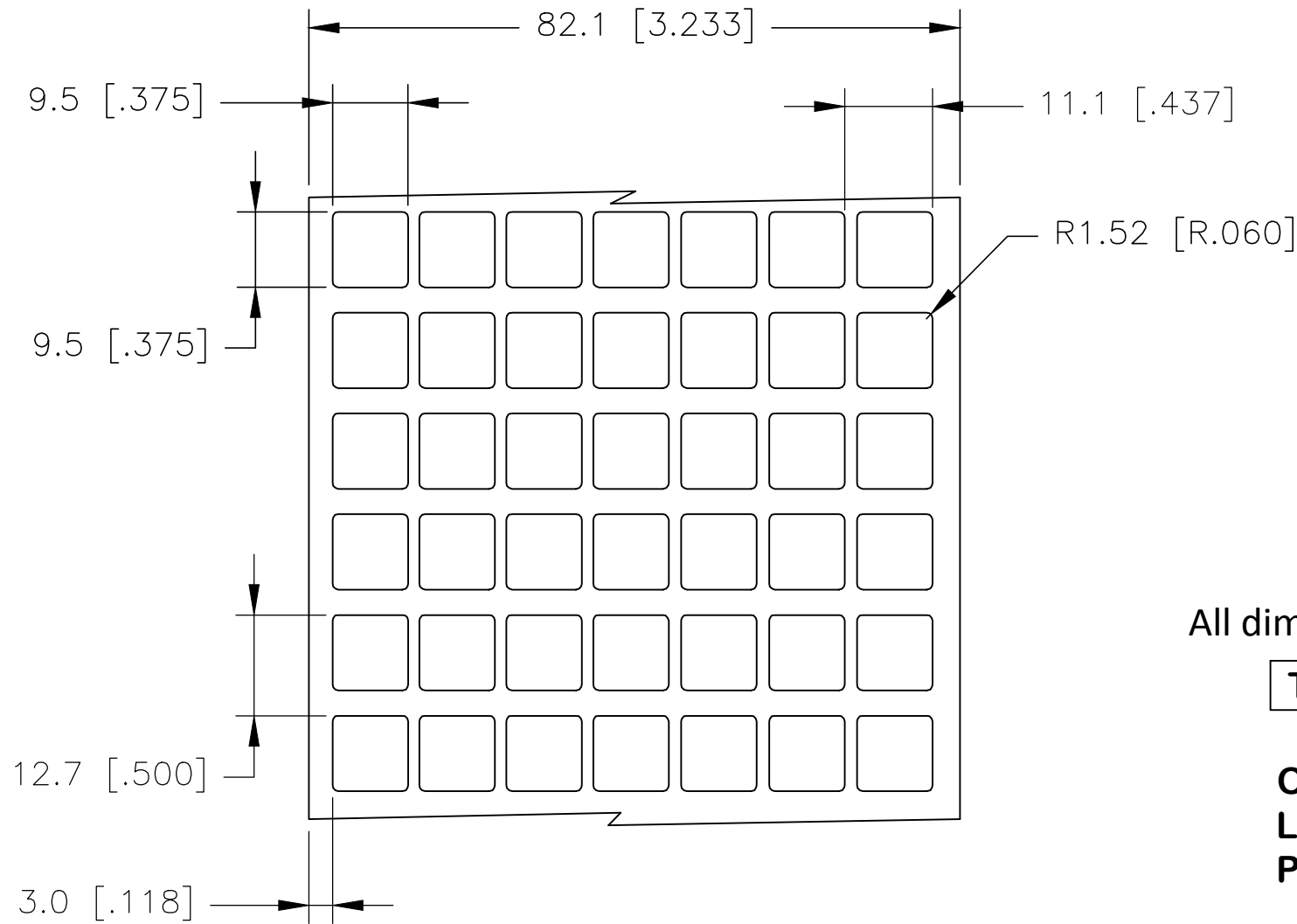
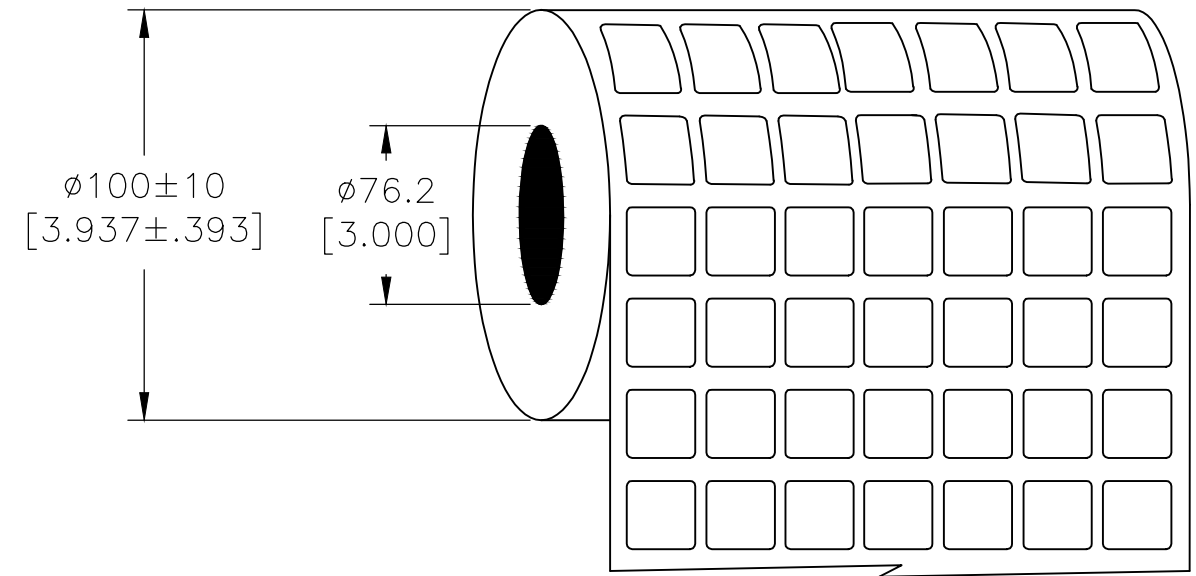


P	LTR	DESCRIPTION	DATE	DWN	APVD
	C	INITIAL RELEASE	06JUL2020	MN	AK

LABEL AND LINER DESIGN



PRESENTATION



All dimensions in mm [Inches]

TE PN: A41179-000

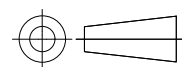
**OUTSIDE WOUND
LABEL ACROSS: 7
PER ROLL QTY: 10000**

MATERIAL	METALIZED POLYESTER
ADHESIVE TYPE	PERMANENT
LINER	GLASSINE PAPER

TOLERANCES mm [INCH]	
LABEL HEIGHT:	±0.3 [.012]
LABEL WIDTH:	±0.3 [.012]
WEB WIDTH:	±0.8 [.031]
VERTICAL REPEAT:	±0.8 [.031]*
HORIZONTAL REPEAT:	±0.8 [.031]*
PRINT POSITIONING:	±0.8 [.031]*
LEFT MARGIN:	±0.4 [.016]
QUANTITY:	-0 % +2 %
*NON ACCUMULATING	

THIS DRAWING IS A CONTROLLED DOCUMENT.

DIMENSIONS:
mm [INCHES]



TOLERANCES UNLESS OTHERWISE SPECIFIED:	
0 PLC	± -
1 PLC	± -
2 PLC	± -
3 PLC	± -
4 PLC	± -
ANGLES	± -
FINISH	-

MATERIAL
SEE TABLE

DWN	M. NUTTALL	06JUL2020
CHK	M. NUTTALL	06JUL2020
APVD	A. KEAN	06JUL2020
PRODUCT SPEC	TTDS-074	
APPLICATION SPEC	-	
WEIGHT	0.008g	

TE Connectivity		NAME		MP - METALIZED POLYESTER LABELS	
		SIZE		CAGE CODE	DRAWING NO
CUSTOMER DRAWING		A3	C2290	C=MP-095095-10-8A	-
SCALE		NTS	SHEET	1 OF 1	REV C